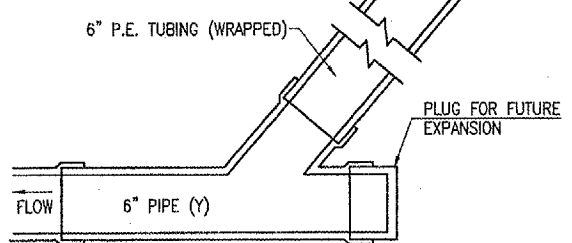
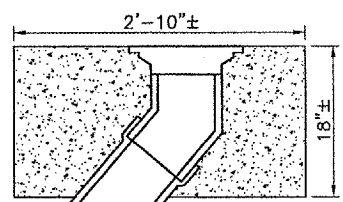
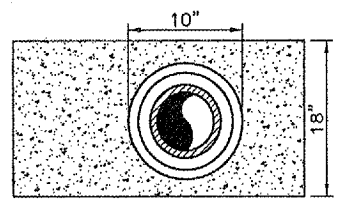


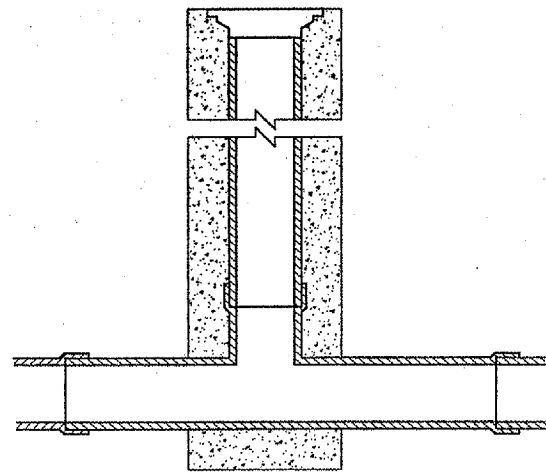
INSPECTION HOLE REMOVAL DETAIL
"NOT TO SCALE"



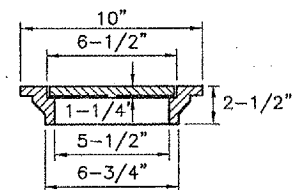
INSPECTION HOLE-TYPE B

INSPECTION HOLE NOTES

- DIAMETER OF PIPE AS SPECIFIED.
- 24" SONA-TUBE MAY BE USED IN LIEU OF SQUARE FORM.
- TOP OF INSPECTION HOLES SHALL BE 1" BELOW ADJACENT FINISH PAVEMENT ELEVATIONS AT LOCATION SHOWN ON PLANS.
- 1/2" CHAMFER TO BE USED ON ALL EXPOSED EDGES OF INSPECTION HOLES.
- THE CONCRETE SHALL BE STRUCTURAL PORTLAND CEMENT CONCRETE (NON- REINFORCED CLASS S1)

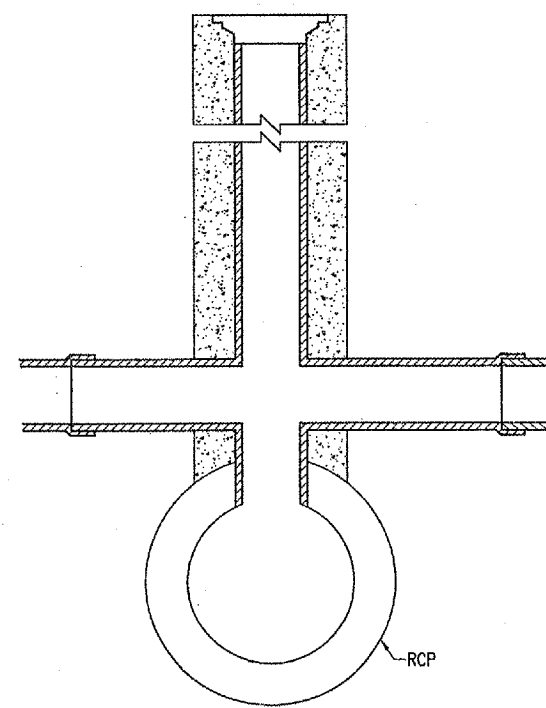


INSPECTION HOLE-TYPE A

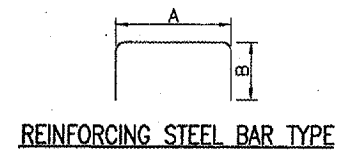


CAST IRON FRAME AND COVER

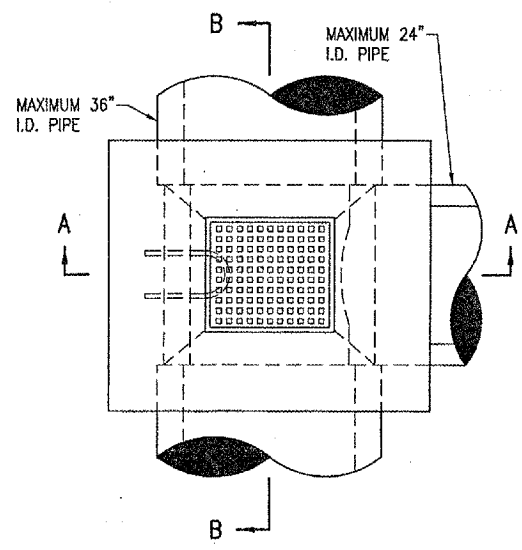
NEENAH R-6013, DEETER 1810,
EAST JORDAN 2790-6 OR
APPROVED EQUAL



INSPECTION HOLE-TYPE C



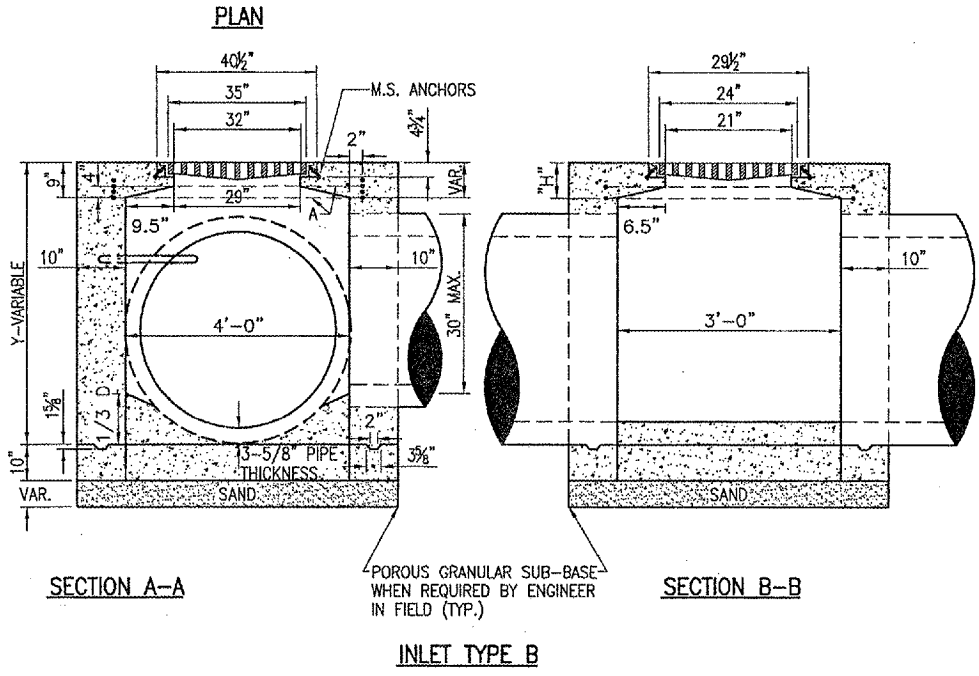
REINFORCING BARS SCHEDULE					
TYPE	QUANTITY PER INLET	DIMENSIONS		SIZE	APPROX. WT. OF BARS IN INLET
A		A	B		
A	4	4'-4"	3'-0"	#5	43.1



INLET NOTES

- INLET TO BE CONSTRUCTED OF STRUCTURAL P.C. CONCRETE. THE CONTRACT UNIT PRICE PER INLET SHALL INCLUDE THE FRAME, GRATE AND STEPS IN PLACE AND COMPLETE PER UNIT.
- 1/2" CHAMFER TO BE USED ON ALL EXPOSED CORNERS OF INLETS. BARS TO BE INSTALLED 2" FROM FACE OF WALLS.
- THE FRAME AND GRATE SHALL BE NEENAH R-3475-E, DEETER 2425-E.
- "H" SHALL BE EQUAL TO THE PROPOSED PAVEMENT THICKNESS AND NOT LESS THAN THE ATTACHED MINIMUMS.
- TYPE B _____ 15" MINIMUM

INLET STEPS SHALL BE NEENAH R-1980-1. 12" TO 15" C.C. STEPS TO BE INSTALLED WHEN Y IS GREATER THAN 5' COST. THE COST OF THE STEPS SHALL BE INCLUDED IN THE CONTRACT UNIT PRICE FOR EACH INLET.



SECTION A-A

SECTION B-B

INLET TYPE B

APR 11, 2006 8:36 AM BAK I:\AIRPORTS\DEKALB\803-05TX\AIRPORT SHEETS\GENERAL\DR-DRAINAGE.DWG - DETAILS

DATE	REVISION	BY

DIMA
DEKALB TAYLOR MUNICIPAL AIRPORT
A.I.P. PROJ.: 3-17-0139-B42
ILL. PROJ.: DK8-3448

FILE: 803-05TX\AD_0800	LAYOUT	K.D.M.	02/10/06
FILENAME: R-DRAINAGE.DWG	DRAWN	B.A.K.	02/10/06
SCALE: NOT TO SCALE	REVIEWED	C.A.H.	02/22/06
DATE: 02/10/06			

HANSON
Hanson Professional Services Inc.
1525 S. State Street
Springfield, Illinois 62703-2886
Offices Nationwide

DEKALB AIRPORT IMPROVEMENTS
PROPOSED DRAINAGE DETAILS