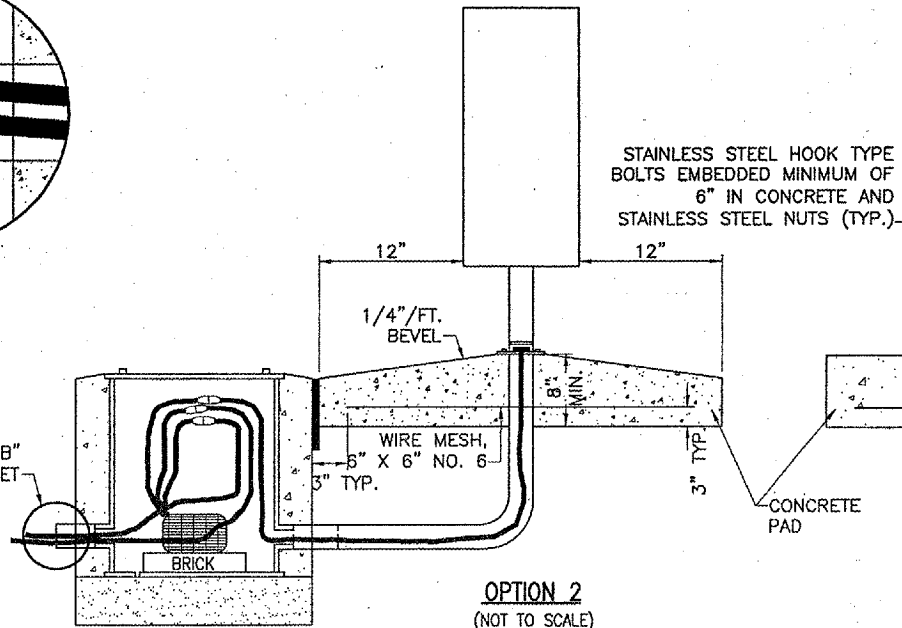


HEAT SHRINKABLE TUBING WITH INTERNAL ADHESIVE

DETAIL "B"
(NOT TO SCALE)

SEE DETAIL "B" ON THIS SHEET



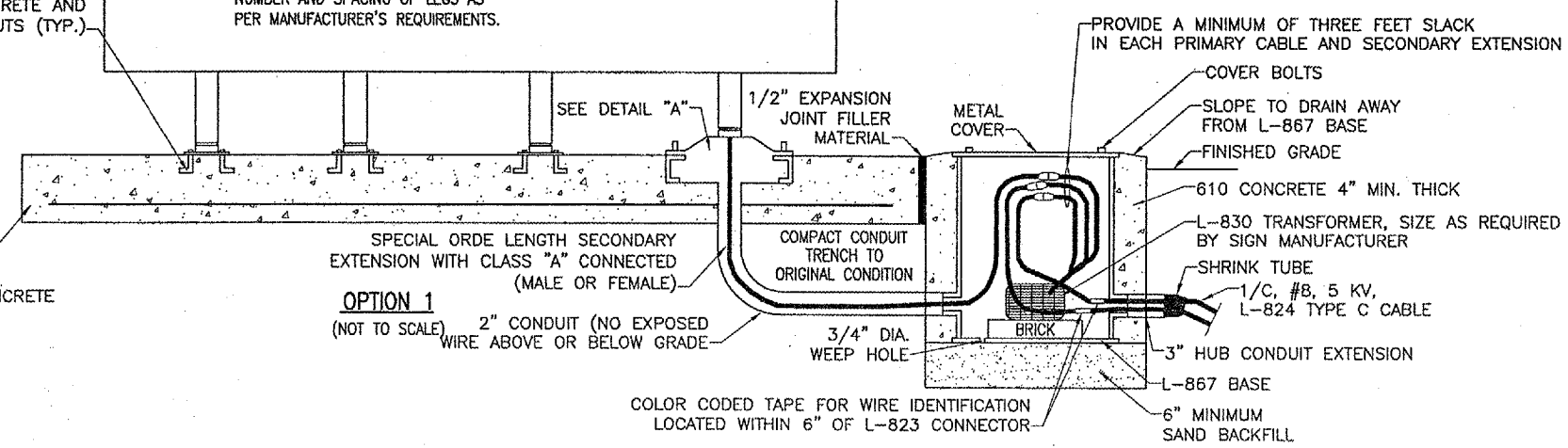
OPTION 2
(NOT TO SCALE)

NOTES:
SEE LIGHTING LAYOUT SHEET(S) FOR SIGN LEGEND, LOCATION, TYPE, SIZE, STYLE, AND CLASS.
NUMBER AND SPACING OF LEGS AS PER MANUFACTURER'S REQUIREMENTS.

L-858 SIGN

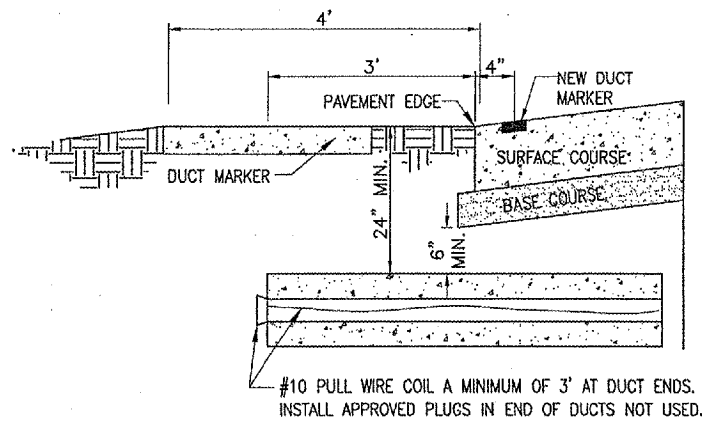
STAINLESS STEEL HOOK TYPE BOLTS EMBEDDED MINIMUM OF 6" IN CONCRETE AND STAINLESS STEEL NUTS (TYP.)

THE LOCATION OF UNDERGROUND UTILITIES AS INDICATED ON THE PLANS HAS BEEN OBTAINED FROM EXISTING RECORDS. NEITHER THE OWNER NOR THE ENGINEER ASSUMES ANY RESPONSIBILITY WHATSOEVER, IN RESPECT TO THE ACCURACY OR SUFFICIENCY OF THE INFORMATION AND THERE IS NO GUARANTEE, EITHER EXPRESSED OR IMPLIED, THAT THE CONDITIONS ARE REPRESENTATIVE OF THOSE TO BE ENCOUNTERED IN THE CONSTRUCTION.

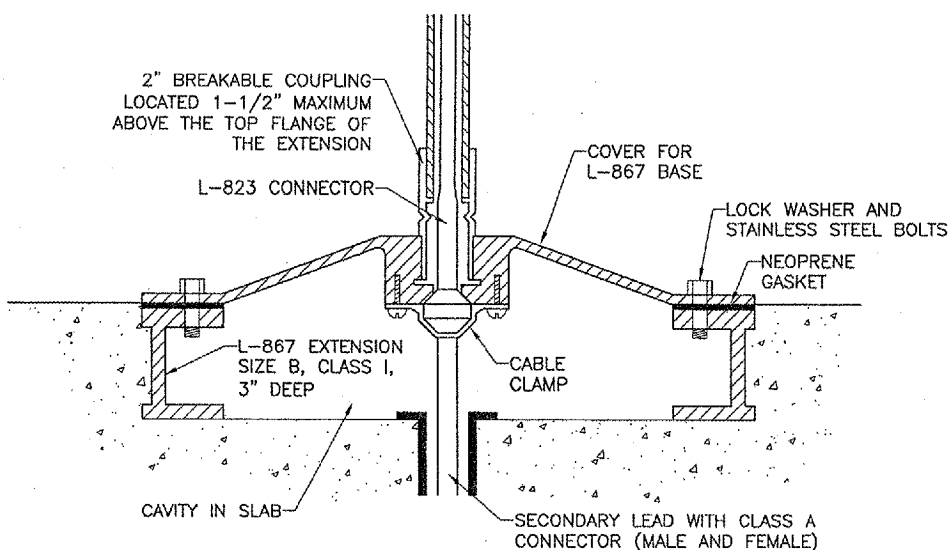


OPTION 1
(NOT TO SCALE)

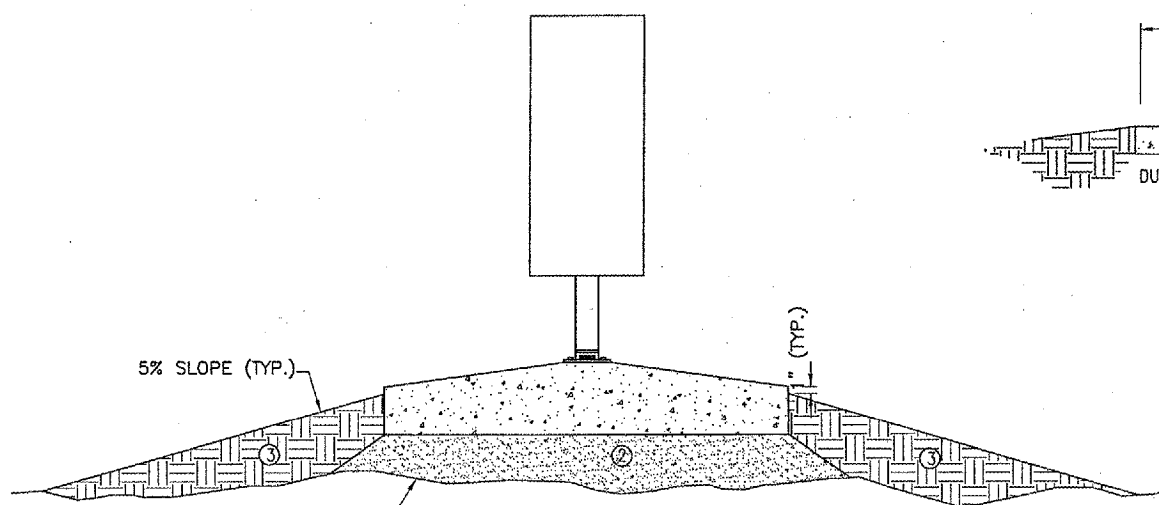
COLOR CODED TAPE FOR WIRE IDENTIFICATION LOCATED WITHIN 6" OF L-823 CONNECTOR



UNDERGROUND ELECTRICAL DUCT
(NOT TO SCALE)

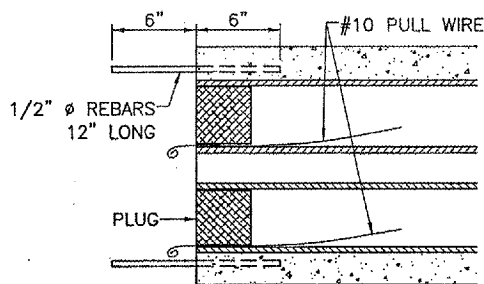


DETAIL "A"
(NOT TO SCALE)

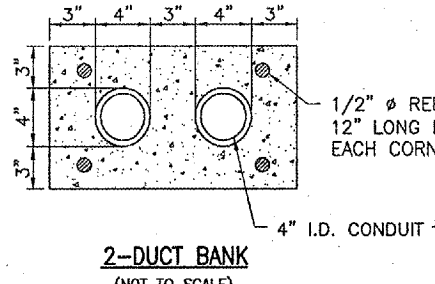


SIGN DETAIL
(NOT TO SCALE)

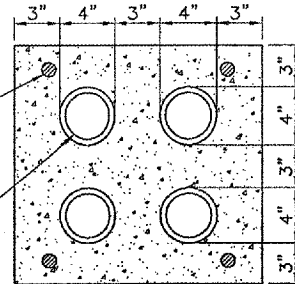
- ① EXISTING SOD TO BE STRIPPED AND REMOVED
- ② SAND BACKFILL, VARIABLE DEPTH
- ③ PROPOSED TOPSOIL BACKFILL MATERIAL



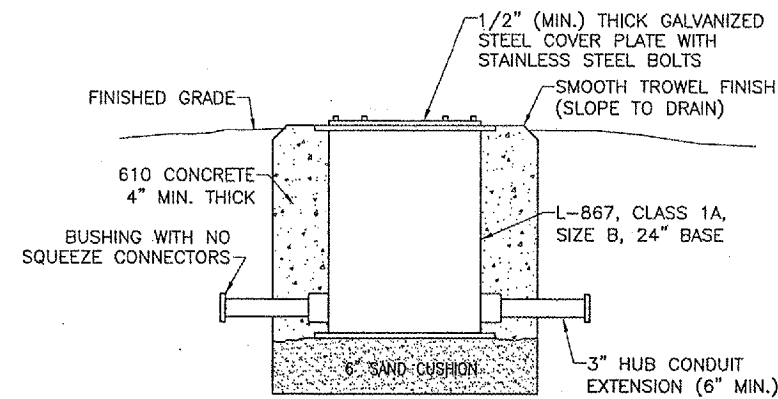
TYPICAL SECTION
(NOT TO SCALE)



2-DUCT BANK
(NOT TO SCALE)



4-DUCT BANK
(NOT TO SCALE)



SPLICE CAN DETAIL
(NOT TO SCALE)

INCLUDE INTERNAL AND EXTERNAL GROUND LUGS

DATE	REVISION	BY



DEKALB TAYLOR MUNICIPAL AIRPORT

AIP PROJ.: 3-17-0139-B42
ILL. PROJ.: DK8-3448

FILE PROJECT NO.	DATE	BY	REVIEWED
80305TXAD_0800	01/07/04	NTS	CAH
R-541ELE.DWG	01/07/04	MDR	MDR



Hanson Professional Services Inc.
1525 South Sixth Street
Springfield, Illinois 62703-2686
Chicago, Nationwide

DEKALB AIRPORT IMPROVEMENTS
PROPOSED ELECTRICAL DETAILS

APR 11, 2006 8:40 AM BAK I:\AIRPORTS\DEKALB\803-05TXAD\AIRPORT SHEETS\GENERAL\R-541ELE.DWG