

STATE OF ILLINOIS
DEPARTMENT OF TRANSPORTATION

F.A. RTE.	SECTION	COUNTY	TOTAL SHEETS	SHEET NO.
VAR.	DIST 8 ITS 2023-2	"	7	1
* MADISON/ST. CLAIR		ILLINOIS	CONTRACT NO. 76R87	

INDEX OF SHEETS:

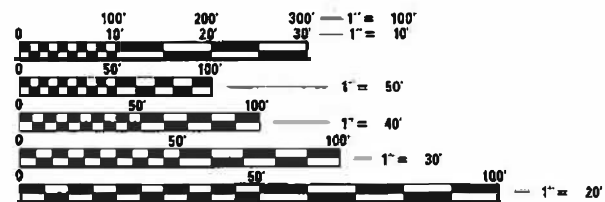
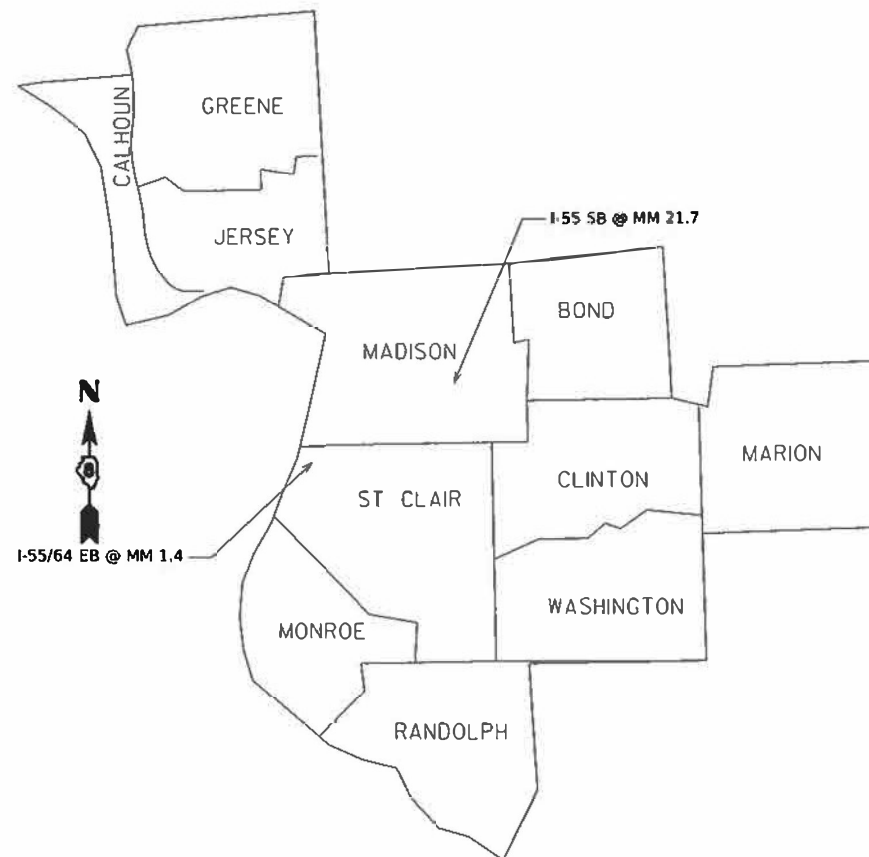
- 1 - COVER SHEET
- 2 - GENERAL NOTES, HIGHWAY STANDARDS, SCHEDULE OF QUANTITIES
- 3 - SUMMARY OF QUANTITIES
- 4 - DMS I-55 SB MP 21.7
- 5 - DMS I-55/70 WB MP 12.4
- 6 - DMS I-55/64 EB MP 1.4
- 7 - TYPE 334 CABINET DETAIL

PROPOSED
HIGHWAY PLANS

VARIOUS ROUTES
SECTION DIST 8 ITS 2023-2

DYNAMIC MESSAGE SIGN REPLACEMENT
MADISON AND ST. CLAIR COUNTIES

C-98-048-23



FULL SIZE PLANS HAVE BEEN PREPARED USING STANDARD ENGINEERING SCALES. REDUCED SIZED PLANS WILL NOT CONFORM TO STANDARD SCALES. IN MAKING MEASUREMENTS ON REDUCED PLANS, THE ABOVE SCALES MAY BE USED.

J.U.L.I.E.
JOINT UTILITY LOCATION INFORMATION FOR EXCAVATION
1-800-892-0123
OR 811

PROJECT ENGINEER : JEFF ABEL
PROJECT MANAGER : CHERYL KEPLAR

CONTRACT NO. 76R87

STATE OF ILLINOIS
DEPARTMENT OF TRANSPORTATION

SUBMITTED MARCH 22 2023

[Signature]
REGIONAL ENGINEER

May 12, 2023 *[Signature]*
ENGINEER OF DESIGN AND ENVIRONMENT

May 12, 2023 *[Signature]*
DIRECTOR OF HIGHWAYS PROJECT IMPLEMENTATION

PRINTED BY THE AUTHORITY
OF THE STATE OF ILLINOIS

GENERAL NOTES

1. NO MATERIAL SHALL BE LEFT ON OR NEAR THE ROADWAY DURING NON-WORKING HOURS.
2. ILLINOIS STATE LAW REQUIRES A 48-HOUR NOTICE TO BE GIVEN TO UTILITIES BEFORE DIGGING. FIELD MARKING OF FACILITIES MAY BE OBTAINED BY CONTACTING J.U.L.I.E. (1-800-892-0123 OR 811) OR FOR NON-MEMBERS THE UTILITY COMPANY DIRECTLY.
3. 45 & 55 MPH SIGNS ARE INCLUDED IN ALL INTERSTATE LANE CLOSURES. IF THE LANE CLOSURE DURATION IS LESS THAN 4 HOURS, THE 45 & 55 MPH SIGNS ARE NOT REQUIRED.
4. REMOVED DYNAMIC MESSAGE SIGNS (DMS) SHALL BECOME THE PROPERTY OF THE CONTRACTOR.

HIGHWAY STANDARDS

000001-08	701401-13
001006	701428-01
701001-02	701901-08
701006-05	
701106-02	
701400-11	

SCHEDULE OF QUANTITIES

Location	PAY ITEM			
	TRAFFIC CONTROL AND PROTECTION STANDARD 701401	NIGHTTIME WORK ZONE LIGHTING	CABINET MODEL 344	TRUSS MOUNTED LED DYNAMIC MESSAGE SIGN
I-55 SB MP 21.7	0.5	0.5	1	1
I-55/64 EB MP 1.4	0.5	0.5	1	1

MODEL: SDO (Sheet)
 FILE NAME: p:\ilhschwa\ben\ben\com\PMIDOT\Documents\IDOT_Offices\District 8\RD Projects\Dist 8\RD Data\Traffic\Dist 8\817-502-ent.dgn

USER NAME = Karen.Challandes	DESIGNED -	REVISED -
	DRAWN -	REVISED -
PLOT SCALE = 0.16666633 1/ in.	CHECKED -	REVISED -
PLOT DATE = 3/22/2023	DATE -	REVISED -

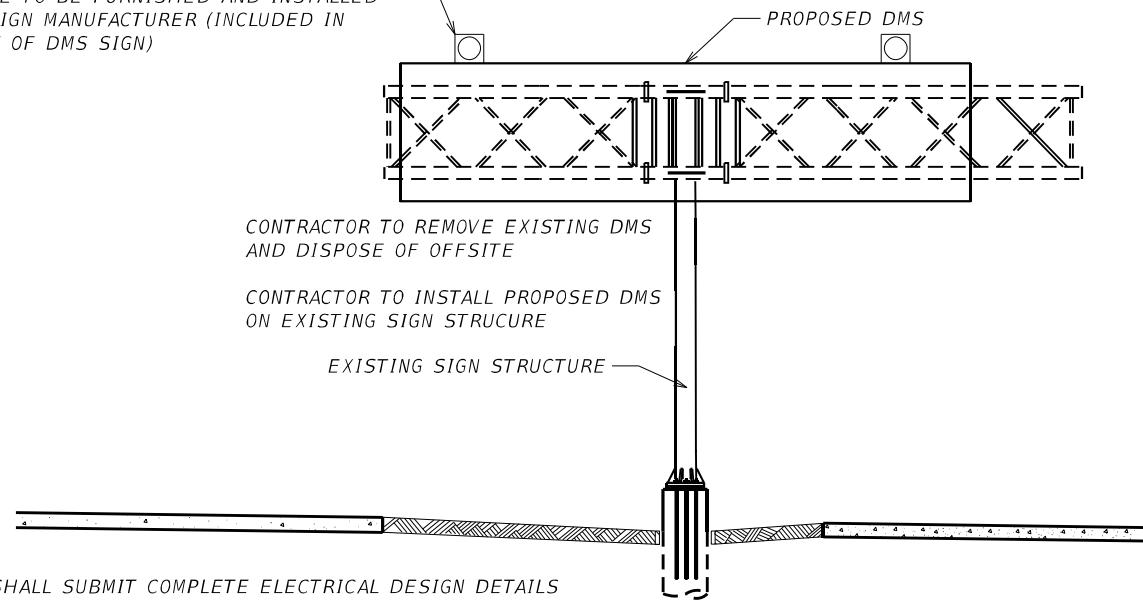
**STATE OF ILLINOIS
DEPARTMENT OF TRANSPORTATION**

**GENERAL NOTES, HIGHWAY STANDARDS,
SCHEDULE OF QUANTITIES**

SCALE: SHEET OF SHEETS STA. TO STA.

F.A.P. RTE.	SECTION	COUNTY	TOTAL SHEETS	SHEET NO.
VAR.	DIST 8 ITS 2023-2	MADISON/ST. CLAIR	6	2
			CONTRACT NO. 76R87	
		ILLINOIS FED. AID PROJECT		

12" DIA. YELLOW LED FLASHING BEACONS (TYP.) WITH TUNNEL VISOR AND RETROREFLECTIVE BACKPLATE TO BE FURNISHED AND INSTALLED BY DMS SIGN MANUFACTURER (INCLUDED IN THE COST OF DMS SIGN)



CONTRACTOR TO REMOVE EXISTING DMS AND DISPOSE OF OFFSITE
 CONTRACTOR TO INSTALL PROPOSED DMS ON EXISTING SIGN STRUCTURE

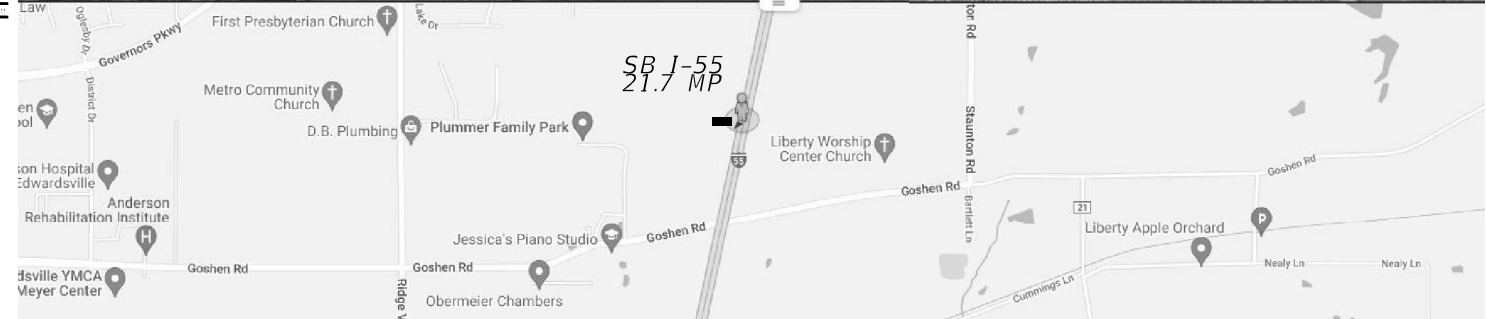
EXISTING SIGN STRUCTURE

ELEVATION

Note:

1. THE CONTRACTOR SHALL SUBMIT COMPLETE ELECTRICAL DESIGN DETAILS AND CALCULATIONS SEALED BY AN ILLINOIS LICENSED ELECTRICAL AND STRUCTURAL ENGINEER TO THE RESIDENT ENGINEER FOR REVIEW AND APPROVAL PRIOR TO THE ORDERING OF ANY MATERIALS.
2. THE TRUSS EXTENSION FOR MOUNTING WALKWAY SHALL BE LOCATED ON THE SIDE FURTHEST FROM THE INTERSTATE (AS SHOWN IN THE PLANS) AND VERIFIED BY THE ENGINEER OR TRAFFIC PRIOR TO CONSTRUCTION.

BUTTERFLY SIGN STRUCTURES – ALTERNATE PLAN & ELEVATION FOR DMS – ALUMINUM TRUSS & STEEL POST



NOT TO SCALE

MODEL: Sheet11 (Sheet)
 FILE NAME: p:\illicom\benberly.com\PMIDOT\Documents\IDOT_Offices\District 8\8RD_Projects\087687\CD\0807\Traffic\087687-4\detail-1.dgn

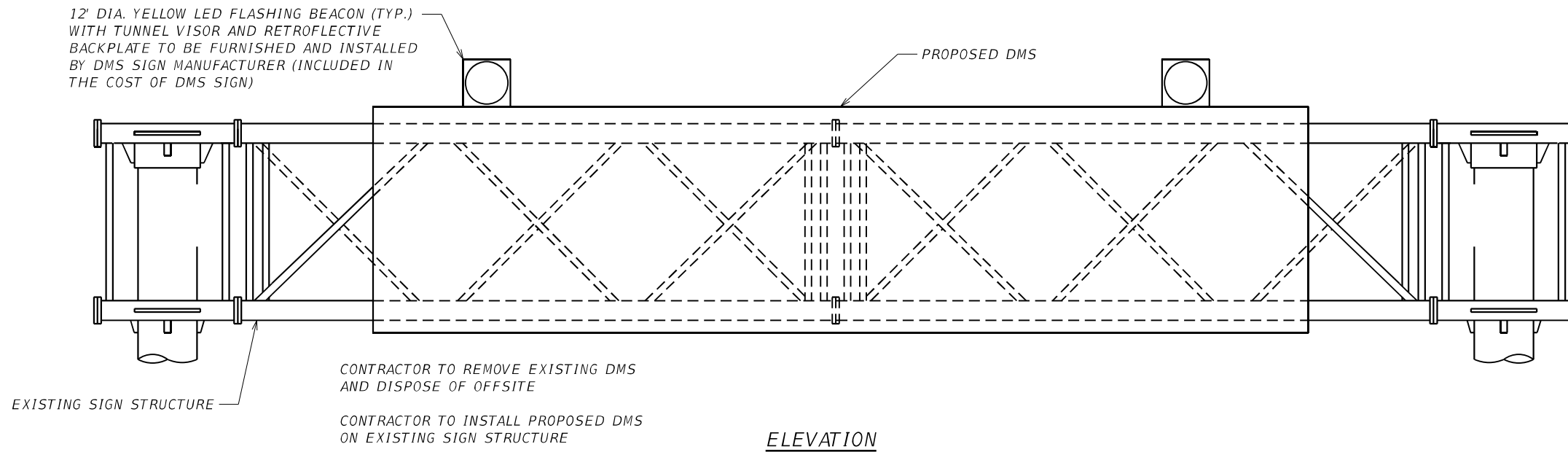
USER NAME = Karen.Challandes	DESIGNED -	REVISED -
	DRAWN -	REVISED -
PLOT SCALE = 0.16666633 1/ in.	CHECKED -	REVISED -
PLOT DATE = 3/22/2023	DATE -	REVISED -

**STATE OF ILLINOIS
 DEPARTMENT OF TRANSPORTATION**

**BUTTERFLY TRUSS MOUNTED LED DYNAMIC MESSAGE SIGN (DMS)
 SB I-55 MP 21.7**

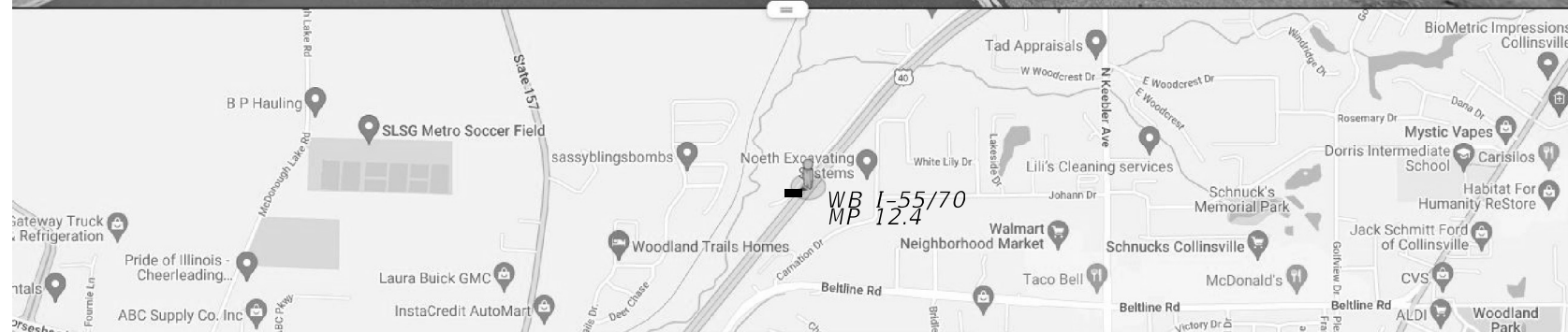
SCALE: SHEET OF SHEETS STA. TO STA.

F.A.P. RTE.	SECTION	COUNTY	TOTAL SHEETS	SHEET NO.
VAR.	DIST 8 ITS 2023-2	MADISON/ST. CLAIR	6	4
CONTRACT NO. 76R87			ILLINOIS FED. AID PROJECT	



**SIGN STRUCTURES – ALTERNATE TRUSS DETAILS FOR DMS
ALUMINUM TRUSS & STEEL POST**

NOTE:
THE CONTRACTOR SHALL SUBMIT COMPLETE ELECTRICAL DESIGN DETAILS AND CALCULATE SEALED BY AN ILLINOIS LICENSED ELECTRICAL AND STRUCTURAL ENGINEER TO THE RESIDENT ENGINEER FOR REVIEW AND APPROVAL PRIOR TO THE ORDERING OF ANY MATERIALS.



NOT TO SCALE

MODEL: Sheet 2 (Sheet)
FILE NAME: p:\illicom\benkay.com\PMIDOT\Documents\IDOT_Offices\District 8\8RD Projects\Dist 8\8RD\8RD\Traffic\0876887\CAD\Drawn\Traffic\0876887-4-detail-struct.dgn

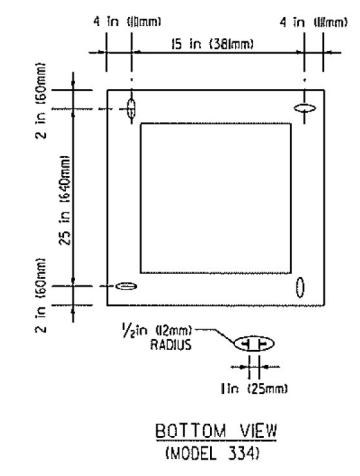
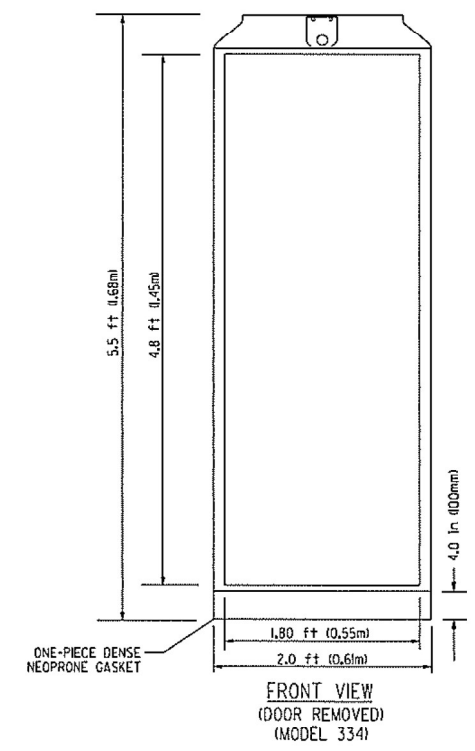
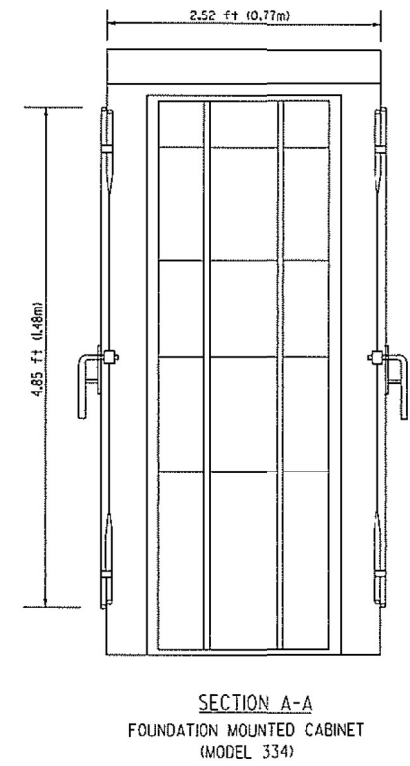
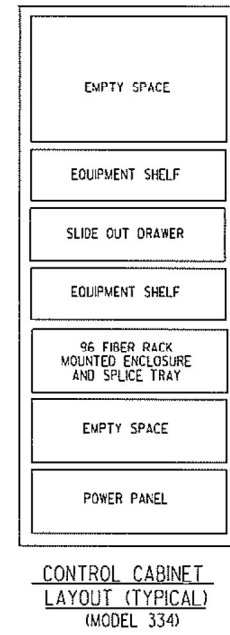
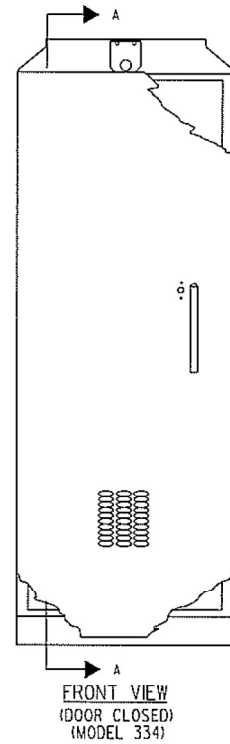
USER NAME = Karen.Challandes	DESIGNED -	REVISED -
	DRAWN -	REVISED -
PLOT SCALE = 0.16666633 1/ in.	CHECKED -	REVISED -
PLOT DATE = 3/22/2023	DATE -	REVISED -

**STATE OF ILLINOIS
DEPARTMENT OF TRANSPORTATION**

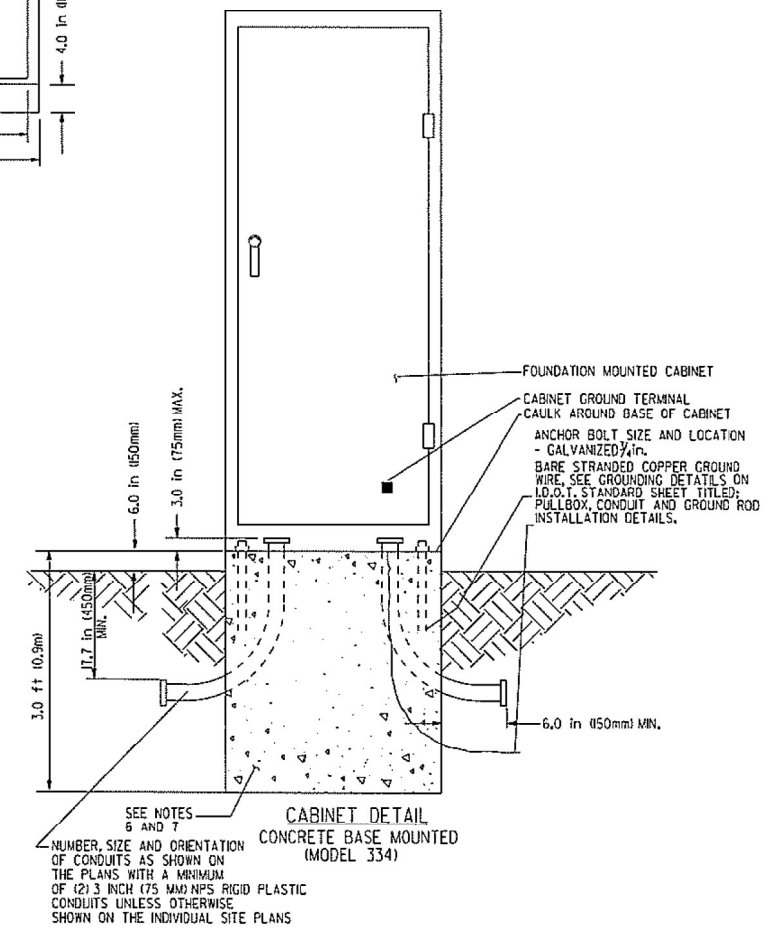
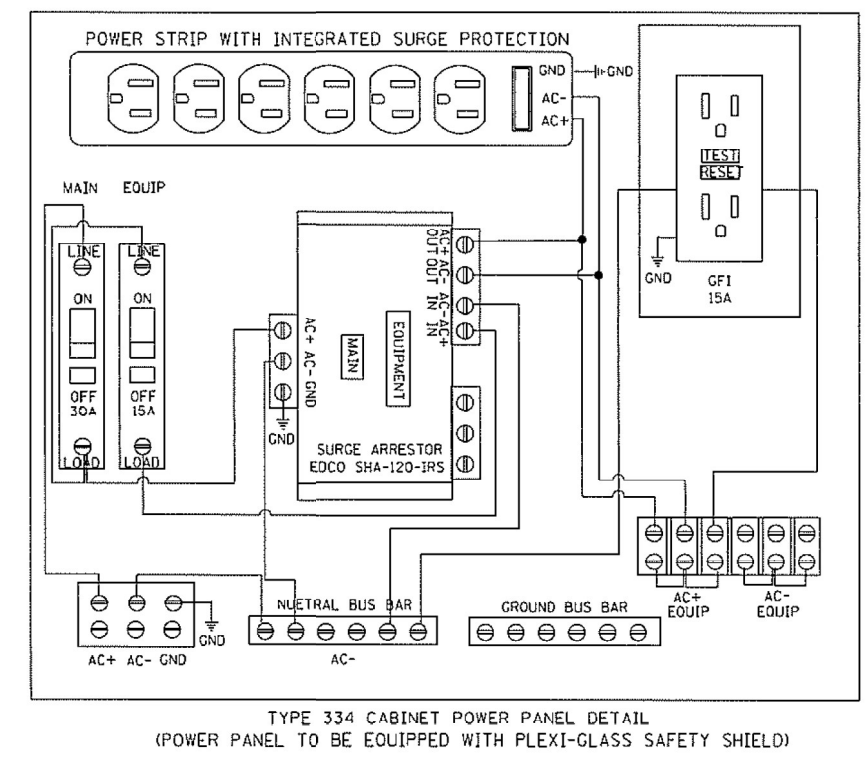
**TRUSS MOUNTED LED DYNAMIC MESSAGE SIGN (DMS)
WB I-55/70 MP 12.4**

SCALE: SHEET OF SHEETS STA. TO STA.

F.A.P. RTE.	SECTION	COUNTY	TOTAL SHEETS	SHEET NO.
VAR.	DIST 8 ITS 2023-2	MADISON/ST. CLAIR	6	5
			CONTRACT NO. 76R87	
ILLINOIS FED. AID PROJECT				



- NOTES (MODEL 334 CABINET):**
- REFER TO SPECIAL PROVISIONS FOR CABINET DETAILS AND ADDITIONAL REQUIREMENTS.
 - CABINET ENTRIES INCLUDE VERTICAL ARRANGEMENT FOR MAJOR EQUIPMENT ITEMS ONLY.
 - THERE WILL BE ADDITIONAL ITEMS INSTALLED IN THE CABINET ON SIDE AND BACK PANELS AS PER THE SPECIAL PROVISIONS.
 - PROVIDE ALL UNUSED SPACE AT BOTTOM OF CABINET.
 - THE CONTRACTOR SHALL INSTALL INSULATED BUSHINGS AND DUCT SEALANT AT ALL CONDUIT BEND TERMINATIONS IN FOUNDATIONS.
 - CONCRETE BASE TO BE FORMED AT LEAST 6.0 IN (150MM) BELOW THE GROUND SURFACE.
 - CONCRETE BASE MUST BE CAST IN PLACE.
 - THE CABINET SHALL BE EQUIPPED WITH A THERMOSTATICALLY CONTROLLED VENTILATION FAN, DELUXE PLEATED FILTER, POWER PANEL, 96 FIBER RACK MOUNTED ENCLOSURE WITH SPLICE TRAYS, 19" MOUNTING RAILS, EQUIPMENT SHELF, AND SLIDE OUT DRAWER WITH STORAGE.
 - ALL WORK INDICATED SHALL BE PAID FOR UNDER ITEM CABINET, MODEL 334 EXCLUSIVE OF THE CONCRETE FOUNDATION.



MODEL: Sheet 4 (Sheet)
FILE NAME: p:\projects\2023\DOT\Office\District 8\8RD Projects\887687\CAD\Drawings\887687-4-detailed.dwg

USER NAME = Karen.Challandes	DESIGNED -	REVISED -
PLOT SCALE = 0.16666633 1/16 in.	DRAWN -	REVISED -
PLOT DATE = 3/22/2023	CHECKED -	REVISED -
	DATE -	REVISED -

**STATE OF ILLINOIS
DEPARTMENT OF TRANSPORTATION**

TYPE 334 CABINET DETAIL	
SCALE:	SHEET OF SHEETS STA. TO STA.

F.A.P. RTE.	SECTION	COUNTY	TOTAL SHEETS	SHEET NO.
VAR.	DIST 8 ITS 2023-2	MADISON ST. CLAIR	6	6
CONTRACT NO. 76R87			ILLINOIS FED. AID PROJECT	