

STATE OF ILLINOIS
DEPARTMENT OF TRANSPORTATION

F.A. RTE.	SECTION	COUNTY	TOTAL SHEETS	SHEET NO.
**	(102,110X-2)CJS	SANGAMON	18	1
		ILLINOIS	CONTRACT NO. 72075	

** FAP 658, FAU 7998

FOR INDEX OF SHEETS, SEE SHEET NO. 2

**PROPOSED
HIGHWAY PLANS**
ROUTE FAU 7998 (EAST LAKE SHORE DR/PALM RD)
& FAP 658 (IL29)
SECTION (102,110X-2) CJS
PROJECT STP-950E (025)
CRACK & JOINT SEALING
SANGAMON COUNTY

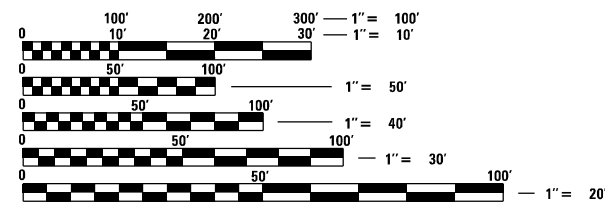
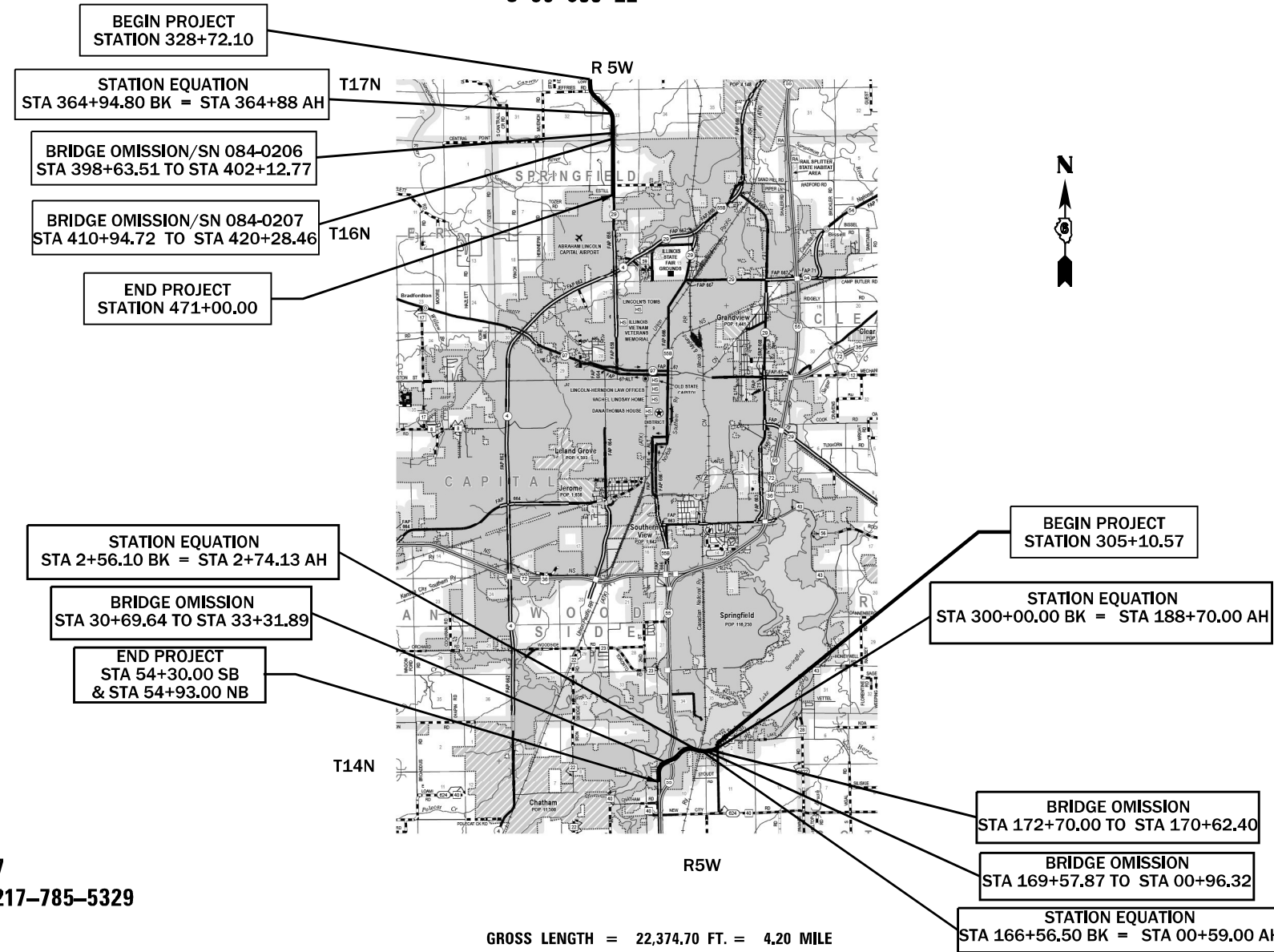
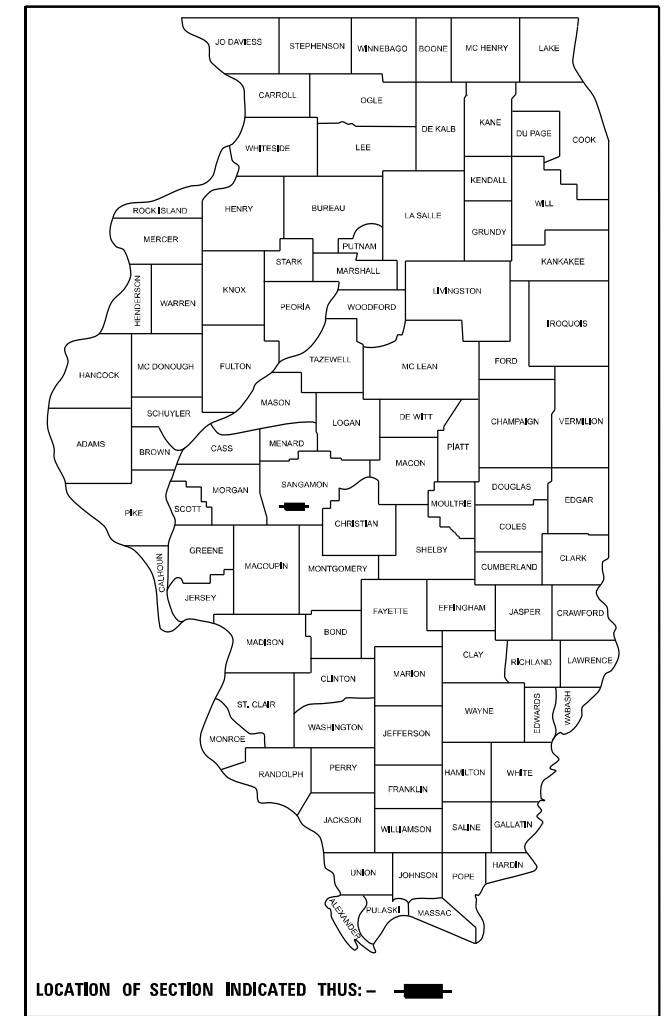
C-96-088-22

ROADWAY CLASSIFICATION
MINOR ARTERIAL

AVERAGE DAILY TRAFFIC YEAR 2021

FAU 7998
ADT: 3,218 (SU = 3.12%, MU = 0.96%, PV = 95.5%)
ADT YEAR 2021

FAP 658 (ILL 29)
ADT: 6,887 (SU = 3.94%, MU = 1.11% PV = 94.95%)
ADT YEAR 2021



J.U.L.I.E.
JOINT UTILITY LOCATION INFORMATION FOR EXCAVATION
1-800-892-0123
OR 811

PROJECT ENGINEER : JAY EDWARDS 217-785-0597
PROJECT MANAGER : SYLVETTE CUEBAS-CANCEL 217-785-5329

CONTRACT NO. 72075

GROSS LENGTH = 22,374.70 FT. = 4.20 MILE
NET LENGTH = 20,285.00 FT. = 3.80 MILE

STATE OF ILLINOIS
DEPARTMENT OF TRANSPORTATION

SUBMITTED March 24 2023

Jay P. Myers
REGIONAL ENGINEER

May 12, 2023
Scott A. Etkin
ENGINEER OF DESIGN AND ENVIRONMENT

May 12, 2023
Stephen M. Smith
DIRECTOR OF HIGHWAYS PROJECT IMPLEMENTATION

**PRINTED BY THE AUTHORITY
OF THE STATE OF ILLINOIS**

INDEX OF SHEETS

SHEET NO.	SHEET DESCRIPTION
1	COVER SHEET
2	GENERAL NOTES
3	SUMMARY OF QUANTITIES
4 - 5	SCHEDULE OF QUANTITIES
6 - 9	TYPICAL SECTIONS
10 - 17	PLAN SHEETS
18	DETAILS

HIGHWAY STANDARDS

NO.	DESCRIPTION
000001-08	STANDARD SYMBOLS, ABBREVIATIONS AND PATTERNS
001006	DECIMAL OF AN INCH AND OF A FOOT
701001-02	OFF-RD OPERATIONS, 2L, 2W, MORE THAN 15 FT (4.5 m), AWAY
701006-05	OFF-RD OPERATIONS, 2L, 2W, 15 FT (4.5 m) TO 24 INCH (600 mm) FROM PAVEMENT EDGE
701306-04	LANE CLOSURE, 2L, 2W, SLOW MOVING OPERATIONS DAY ONLY, FOR SPEEDS ≥ 45 MPH
701421-08	LANE CLOSURE, MULTILANE, DAY OPERATIONS ONLY FOR SPEED ≥ 45 MPH TO 55 MPH
701701-10	URBAN LANE CLOSURE, MULTILANE INTERSECTION
701901-08	TRAFFIC CONTROL DEVICES

GENERAL NOTES

THE CONTRACTOR SHALL MAKE EVERY EFFORT TO AVOID DAMAGE OR COVERAGE OF THE EXSITING PAVEMENT MARKINGS WITH CRACK SEALANT. THE CONTRACTOR SHALL NOTIFY THE ENGINEER OF ANY ANTICIPATED PAVEMENT MARKING CONFLICTS AND ANY DAMAGE SHOULD BE DOCUMENTED. EXCESS SEALANT SHOULD NOT BE SQUEEGED OUT OVER EXISTING PAVEMENT MARKINGS. THE ENGINEER SHOULD DOCUMENT ANY CONFLICTS OR DAMAGE. THE ENGINEER SHOULD CONTACT THE DISTRICT 6 TRAFFIC OPERATIONS ENGINEER AT (217)785-5306 IF MORE THAN 25% OF THE EXISTING PAVEMENT MARKINGS ARE DAMAGED OR COVERED BY SEALANT.

APPLICATION RATES

THE FOLLOWING RATES OF APPLICATION WERE UTILIZED TO CALCULATE QUANTITIES

CRACK FILLING (NON-ROUTED CRACKS)	0.18 POUND/LIN. FT.
CRACK FILLING (ROUTED CRACKS)	0.35 POUND/LIN. FT.

COMMITMENTS

NONE

**STATE OF ILLINOIS
DEPARTMENT OF TRANSPORTATION
DIVISION OF HIGHWAYS
DISTRICT 6**

EXAMINED March, 22 20 23

[Signature]
ENGINEER OF OPERATIONS

EXAMINED March, 13 20 23

[Signature]
ENGINEER OF PROJECT IMPLEMENTATION

EXAMINED March, 20 20 23

[Signature]
ENGINEER OF PROGRAM DEVELOPMENT

**STATE OF ILLINOIS
DEPARTMENT OF TRANSPORTATION**

**GENERAL NOTES
FAP 658 (IL 29), FAU 7998 (E LAKE SHORE DRIVE/PALM RD)**

F.A. RTE.	SECTION	COUNTY	TOTAL SHEETS	SHEET NO.
**	(102,110X-2)CJS	SANGAMON	18	2
CONTRACT NO. 72075				
ILLINOIS FED. AID PROJECT STP-950E(025)				

SCALE: SHEET OF SHEETS STA. TO STA.

CONSTRUCTION CODE	
PPS # : 6-01485-0000	PPS # : 6-01496-0000
IL 29	E LAKE SHORE DR/ PALM RD
STP	STP
80 % FED / 20 % STATE	80 % FED / 20 % STATE
SANGAMON	SANGAMON
ROADWAY	ROADWAY
0005	0005
RURAL	URBAN

45100100	CRACK ROUTING (PAVEMENT)	FOOT	5531	2129	3402
45100200	CRACK FILLING	POUND	10,265	5408.5	4856.5
67100100	MOBILIZATION	L SUM	1	0.5	0.5
70100460	TRAFFIC CONTROL AND PROTECTION, STANDARD 701306	L SUM	1	0.5	0.5
70100310	TRAFFIC CONTROL AND PROTECTION, STANDARD 701421	L SUM	1	0	1
70102635	TRAFFIC CONTROL AND PROTECTION, STANDARD 701701	L SUM	1	0	1

MODEL: 72075 (Sheet)
 FILE NAME: P:\Bids\2023\72075\Drawings\DOT Office\District 6\ORD Project\0672075\CADD\Drawings\CD\Sheet\72075-sh-300.dgn

USER NAME = Umesh.Reddy	DESIGNED -	REVISED -
	DRAWN -	REVISED -
PLOT SCALE = 0.16666633' / in.	CHECKED -	REVISED -
PLOT DATE = 3/22/2023	DATE -	REVISED -

STATE OF ILLINOIS
DEPARTMENT OF TRANSPORTATION

SUMMARY OF QUANTITIES
FAP 658 (IL 29), FAU 7998 (EAST LAKE SHORE DR/PALM RD)

SCALE: SHEET OF SHEETS STA. TO STA.

F.A. RTE.	SECTION	COUNTY	TOTAL SHEETS	SHEET NO.
**	(102,110X-2)CJS	SANGAMON	18	3
CONTRACT NO. 72075				
ILLINOIS FED. AID PROJECT STP-950E(025)				

LONGITUDINAL CRACK FILLING							
FAP 658 (IL 29)							
STP (80 FED \ 20 STATE)				CODE NUMBER: 45100200			
STATION	SIDE	OFFSET	TO	STATION	DESCRIPTION	LENGTH (FOOT)	POUND
RIGHT TANGENT (NB) - SANGAMON COUNTY							
328+72.10	RT	12'	TO	364+94.80	EOP JOINTS	3,622.70	652.00
STATION EQUATION STA. 364+94.80 BK = STA. 364+88.00 AH							
364+88.00	RT	12'	TO	398+63.51	EOP JOINTS	3,375.51	607.50
BRIDGE OMISSION STA 398+63.51 TO 402+12.77							
402+12.77	RT	12'	TO	410+94.72	EOP JOINTS	882	159.0
BRIDGE OMISSION STA 410+94.72 TO 420+28.46							
420+28.46	RT	12' & VAR.	TO	471+00.00	EOP JOINTS	5,071.54	913.00
LEFT TANGENT (SB) - SANGAMON COUNTY							
328+72.10	LT	12'	TO	364+94.80	EOP JOINTS	3,622.70	652.00
STATION EQUATION STA. 364+94.80 BK = STA. 364+88.00 AH							
364+88.00	LT	12'	TO	398+63.51	EOP JOINTS	3,375.51	607.50
BRIDGE OMISSION STA 398+63.51 TO 402+12.77							
402+12.77	LT	12'	TO	410+94.72	EOP JOINTS	881.95	159.00
BRIDGE OMISSION STA 410+94.72 TO 420+28.46							
420+28.46	LT	12' & VAR.	TO	471+00.00	EOP JOINTS	5,071.54	913.00
TOTAL							4,663.00

TRANSVERSE CRACK ROUTING & CRACK FILLING						
FAP 658 (IL 29)						
STP (80 FED \ 20 STATE)			CODE NUMBER:		45100100	45100200
STATION	TO	STATION	DESCRIPTION	NO. OF CRACKS	FOOT	POUND
SANGAMON COUNTY						
NB (12' CRACKS)						
328+72.10	TO	348+00.00	HMA LANE	13	156.00	54.60
348+00.00	TO	398+50.00	HMA LANE	13	156.00	54.60
420+00.00	TO	460+00.00	HMA LANE	10	120.00	42.00
460+00.00	TO	471+00.00	HMA LANE	32	384.00	134.40
SUB - TOTAL					816.00	285.60
ADDITIONAL 5%					40.80	14.28
TOTAL					856.80	299.88
SB (12' CRACKS)						
328+72.10	TO	348+00.00	HMA LANE	27	324.00	113.40
348+00.00	TO	398+50.00	HMA LANE	17	204.00	71.40
420+00.00	TO	460+00.00	HMA LANE	17	204.00	71.40
460+00.00	TO	471+00.00	HMA LANE	40	480.00	168.00
SUB - TOTAL					1,212.00	424.20
ADDITIONAL 5%					60.60	21.21
TOTAL					1,272.60	445.41

NOTE: ROUTING AND FILLING INTENDED FOR FULL-LANE WIDTH TRANSVERSE CRACKS

MODEL: Schedule_1 (Sheet)
 FILE NAME: P:\Illinois\Projects\DOT\Office\District\CORD\Projects\DOT\CAD\Drawings\CAD\Drawings\2017\5-H-Schedule.dgn

USER NAME = Umesu.Reddy	DESIGNED -	REVISED -
PLOT SCALE = 0.16666833' / in.	DRAWN -	REVISED -
PLOT DATE = 3/22/2023	CHECKED -	REVISED -
	DATE -	REVISED -

STATE OF ILLINOIS
 DEPARTMENT OF TRANSPORTATION

SCHEDULE OF QUANTITIES			
FAP 658 (IL 29) FAU 7998 (EASTLAKE SHORE DR/PALM RD)			
SCALE:	SHEET	OF	SHEETS
	STA.	TO	STA.

F.A. RTE.	SECTION	COUNTY	TOTAL SHEETS	SHEET NO.
**	(102,110X-2)CJS	SANGAMON	18	4
CONTRACT NO. 72075				
ILLINOIS FED. AID PROJECT STP-950E(025)				

** FAP 658 , FAU 7998

LONGITUDINAL CRACK FILLING						
FAU 7998 - EAST LAKE SHORE DR/PALM RD						
STP (80 FED \ 20 STATE)				CODE NUMBER: 45100200		
CENTER LINE						
STATION	SIDE	TO	STATION	DESCRIPTION	LENGTH (FOOT)	POUND
305+10.57	CL	TO	300+00.00	CENTERLINE	510.57	92.00
STATION EQUATION STA. 300+00.00 BK = STA. 188+70.00 AH						
188+70.00	CL	TO	172+70.00	CENTERLINE	1,600.00	288.00
BRIDGE OMISSION (SN # 084-0208) STA 172+70.00 TO 170+62.40						
170+62.40	CL	TO	169+57.87	CENTERLINE	104.53	19.00
BRIDGE OMISSION (SN # 084-0209) STA 169+57.87 TO 166+56.50						
STATION EQUATION STA. 166+56.50 BK = STA. 00+59.00 AH						
BRIDGE OMISSION(SN # 084 -0209) STA 00+59.00 TO 00+96.32						
0+96.32	CL	TO	2+56.10	CENTERLINE	159.78	29.00
STATION EQUATION STA. 2+56.10 BK = STA. 2+74.13 AH						
2+74.13	CL	TO	10+77.62	CENTERLINE	803.49	144.50
37+74.00	CL-NB	TO	54+93.00	CENTERLINE	1,719.00	309.50
37+71.00	CL-SB	TO	54+30.00	CENTERLINE	1,659.00	298.50
TOTAL						1,180.50

LONGITUDINAL CRACK FILLING					
FAU 7998 - EAST LAKE SHORE DR/PALM RD					
STP (80 FED \ 20 STATE)				CODE NUMBER: 45100200	
TANGENT - NB					
STATION	TO	STATION	DESCRIPTION	LENGTH (FOOT)	POUND
9+79.00	TO	13+21.34	RIGHT TURN LANE	342.34	61.50
14+18.00	TO	28+53.00	EOP	1,435.00	258.50
23+88.00	TO	24+51.00	BETWEEN MEDIANS	63.00	11.50
24+18.00	TO	30+69.64	DRIVE WAY LANE	651.64	117.50
28+53.00	TO	30+69.64	MEDIAN	216.64	39.00
28+53.00	TO	30+69.64	RIGHT TURN LANE	216.64	39.00
28+53.00	TO	30+69.64	RIGHT TURN LANE EOP	216.64	39.00
BRIDGE OMISSION STA 30+69.64 TO 33+31.89					
31+89.00	TO	37+74.00	RIGHT TURN LANE	585.00	105.50
31+89.00	TO	37+74.00	RIGHT TURN LANE EOP	585.00	105.50
37+74.00	TO	54+92.00	EOP	1,718.00	309.00
46+80.00	TO	50+00.00	LEFT TURN LANE	320.00	57.50
23+88.00	TO	24+51.00	BETWEEN MEDIANS	63.00	11.50
37+26.00	TO	38+04.00	BETWEEN MEDIANS	78.00	14.00
50+00.00	TO	54+93.00	EOP NEAR MEDIAN	493.00	88.50
TANGENT - SB					
5+00.00	TO	16+00.00	EOP	1,100.00	198.00
16+00.00	TO	22+19.00	RIGHT TURN DETOUR I-55 EOP	619.00	111.50
17+90.00	TO	22+19.00	RIGHT TURN DETOUR I-55	429.00	77.00
22+19.00	TO	30+69.64	EOP	850.64	153.00
24+00.00	TO	25+00.00	BETWEEN MEDIANS	100.00	18.00
BRIDGE OMISSION STA 30+69.64 TO STA 33+31.89					
34+05.00	TO	38+10.00	LEFT TURN LANE	405.00	73.00
31+89.00	TO	37+71.00	EOP	582.00	105.00
38+62.00	TO	43+18.25	EOP	456.25	82.00
43+18.25	TO	46+53.00	RIGHT TURN LANE EOP	334.75	60.50
43+18.25	TO	46+53.00	RIGHT TURN LANE	334.75	60.50
46+53.00	TO	54+30.00	EOP	777.00	140.00
46+80.00	TO	54+30.00	EOP NEAR MEDIAN	750.00	135.00
47+00.00	TO	47+78.00	MEDIAN	78.00	14.00
TOTAL					2,485.00

TRANSVERSE CRACK ROUTING & CRACK FILLING						
FAU 7998 - E LAKE SHORE DR/PALM RD						
STP (80 FED \ 20 STATE)				CODE NUMBER: 45100100 45100200		
STATION	TO	STATION	DESCRIPTION	NO. OF CRACKS	FOOT	POUND
SANGAMON COUNTY						
NB (12' CRACKS)						
305+10.57	TO	172+70.00	HMA LANE	12	144	50.4
170+62.40	TO	30+69.64	HMA LANE	50	600	210.0
33+31.89	TO	54+93.00	HMA LANE	90	1080	378.0
SUB - TOTAL					1824	638
ADDITIONAL 5%					91	32.0
TOTAL					1915	670.4
SB (12' CRACKS)						
305+10.57	TO	172+70.00	HMA LANE	8	96	33.6
170+62.40	TO	30+69.64	HMA LANE	48	576	201.6
33+31.89	TO	54+30.00	HMA LANE	62	744	260.4
SUB - TOTAL					1416	496
ADDITIONAL 5%					71	25.0
TOTAL					1487	520.6

NOTE: ROUTING AND FILLING INTENDED FOR FULL-LANE WIDTH TRANSVERSE CRACKS

MODEL: Schedule (Sheet)
 FILE NAME: p:\bbs\p\cadd\2025\2025\CDData\CAD\Sheet72075-5-1-Schedule.dgn

USER NAME = Umesu,Reddy	DESIGNED -	REVISED -
PLOT SCALE = 0.16666633' / in.	DRAWN -	REVISED -
PLOT DATE = 3/22/2023	CHECKED -	REVISED -
	DATE -	REVISED -

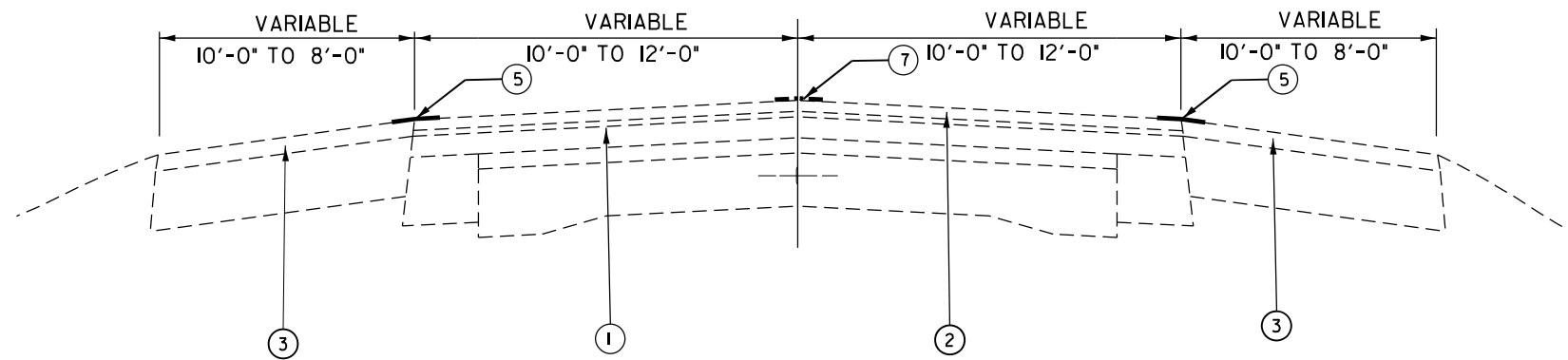
**STATE OF ILLINOIS
DEPARTMENT OF TRANSPORTATION**

**SCHEDULE OF QUANTITIES
FAP 658 (IL 29), FAU 7998 (EAST LAKE SHORE DR/PALM RD)**

SCALE: SHEET OF SHEETS STA. TO STA.

F.A. RTE.	SECTION	COUNTY	TOTAL SHEETS	SHEET NO.
**	(102,110X-2)CJS	SANGAMON	18	5
CONTRACT NO. 72075				
ILLINOIS FED. AID PROJECT STP-950E(025)				

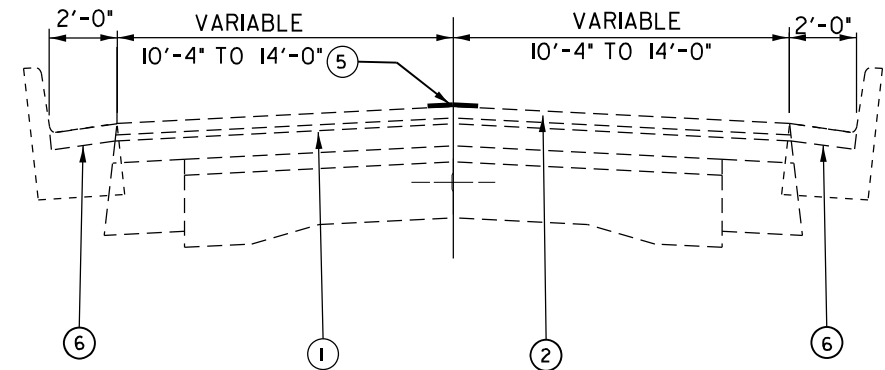
IL 29



TYPICAL SECTION # 1

STA 328+72.10 TO STA 471+00.00
 STATION EQN STA 364+94.80 BK = STA 364+88.00 AH
 BRIDGE OMISSION STA 398+63.51 TO STA 402+12.77
 BRIDGE OMISSION STA 401+94.72 TO STA 420+28.46

EAST LAKE SHORE DR



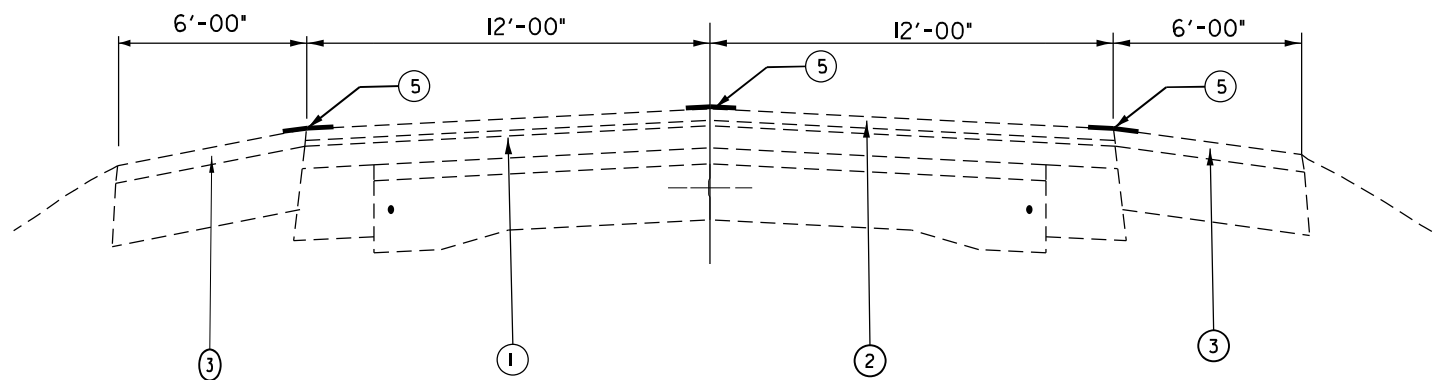
TYPICAL SECTION # 2

STA 305+10.57 TO STA 300+00.00
 STA EQN STA 300+00.00 BK = STA 188+70.00 AH
 STA 180+70.00 TO STA 172+70.00
 BRIDGE OMISSION STA 172+70.00 TO STA 170+62.40
 STA 170+62.40 TO STA 169+57.87
 BRIDGE OMISSION STA 169+57.87 TO STA 166+56.50
 STA EQN STA 166+56.50 BK = STA 00+59.00 AH
 BRIDGE OMISSION STA 00+59.00 TO STA 00+96.32
 STA 00+96.32 TO STA 02+56.10
 STA EQN STA 02+56.10 BK = STA 02+74.13 AH
 STA 02+74.13 BK TO STA 04+35.00 AH

NOTE

AGG SHOULDER STARTS AT STA 305+00.00 AND ENDS AT STA 180+00.00
 CC & G STARTS AT STA 180+00.00 AND END AT STA 4+35.00

EAST LAKE SHORE DR



TYPICAL SECTION # 3

STA 04+35.00 TO STA 10+62.00.

- LEGEND
1. EXISTING PAVEMENT
 2. EXISTING HMA SURFACE
 3. EXISTING HMA SHOULDER
 4. EXISTING MEDIAN
 5. PROPOSED CRACK & JOINT SEALING
 6. EXISTING AGGREGATE SHOULDER
 7. EXISTING RUMBLE STRIPS

MODEL: Typical Section 1 (Sheet)
 FILE NAME: P:\Illinois\Projects\102.110X-2\CADD\Drawings\CD\Sheet172015-3-1-Typical.dwg

USER NAME = UmeshReddy	DESIGNED -	REVISED -
DRAWN -	REVISOR -	REVISIONS -
PLOT SCALE = 0.16666633 / in.	CHECKED -	REVISOR -
PLOT DATE = 3/22/2023	DATE -	REVISIONS -

STATE OF ILLINOIS
 DEPARTMENT OF TRANSPORTATION

TYPICAL SECTIONS			
FAP 658 (IL 29), FAU 7998 (EAST LAKE SHORE DR)			
SCALE:	SHEET	OF SHEETS	STA. TO STA.

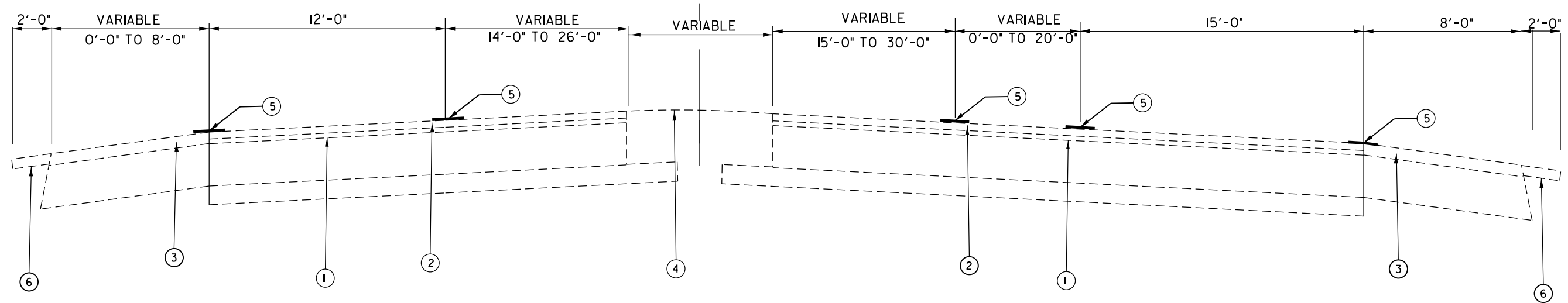
F.A. RTE.	SECTION	COUNTY	TOTAL SHEETS	SHEET NO.
**	(102.110X-2)CJS	SANGAMON	18	6
CONTRACT NO. 72075				

** FAP 658, FAU 7998

DL = DRIVING LANE
 DBL DL = DOUBLE DRIVING LANE
 RTL = RIGHT TURN LANE
 LTL = LEFT TURN LANE

- LEGEND
1. EXISTING PAVEMENT
 2. EXISTING HMA SURFACE
 3. EXISTING HMA SHOULDER
 4. EXISTING MEDIAN
 5. PROPOSED CRACK & JOINT SEALING
 6. EXISTING AGGREGATE SHOULDER
 7. EXISTING RUMBLE STRIPS

EAST LAKE SHORE DR



TYPICAL SECTION # 4

NOTE : LEFT SIDE (NB)

1. STA 10+62.00 TO STA 13+21.34
DL - 14', RTL - 12', AGG SHLD - 2'
2. STA 13+21.54 TO STA 14+46.50
DL - 26' TO 15', HMA SHLD - 0' TO 5', AGG SHLD - 2'
3. STA 14+46.50 TO 22+47.82
DL - 15', HMA SHLD - 8', AGG SHLS - 2'
4. STA 22+47.82 TO STA 24+15.00
DL - 15' TO 14'

NOTE : RIGHT SIDE (SB)

1. STA 10+62.00 TO STA 15+66.86
DL 17' - 15', HMA SHLD - 8', AGG SHLD - 2'
2. STA 15+66.86 TO STA 18+34.84
DL - 15' TO 30', HMA SHLD - 7.5' - 6', AGG SHLD - 2'
3. STA 18+34.84 TO 22+29.46
DL - 15', RTL - 16', HMA SHLD - 8', AGG SHLS - 2'
MEDIAN 0' TO 20'
4. STA 22+29.46 TO STA 27+55.39
DL - 15' TO 14', HMA SHLD - 8', AGG SHLD - 2'

MODEL: Typical Section 2 (Sheet)
 FILE NAME: P:\Illinois\2023\Projects\DOT Office\District 6\ORD Project\0672075\CADD\Drawings\CD\Sheet\2023\sh-4 Typical.dgn

USER NAME = UmeshReddy	DESIGNED -	REVISED -
DRAWN -	DRAWN -	REVISED -
PLOT SCALE = 0.16666633' / in.	CHECKED -	REVISED -
PLOT DATE = 3/22/2023	DATE -	REVISED -

STATE OF ILLINOIS
 DEPARTMENT OF TRANSPORTATION

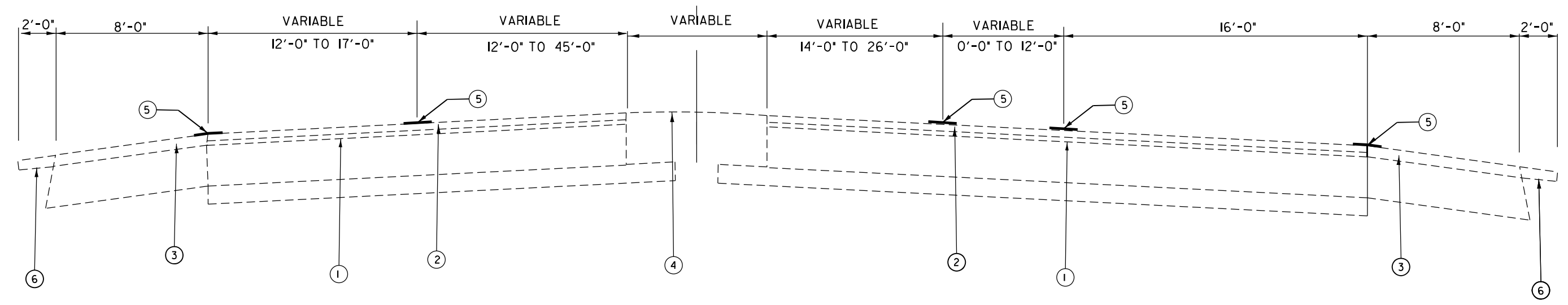
TYPICAL SECTIONS FAU 7998 (EAST LAKE SHORE DR)			
SCALE:	SHEET	OF SHEETS	STA. TO STA.

F.A. RTE.	SECTION	COUNTY	TOTAL SHEETS	SHEET NO.
**	(102,110X-2)CJS	SANGAMON	18	7
CONTRACT NO. 72075				
ILLINOIS FED. AID PROJECT STP-090E(025)				

** FAP 658, FAU 7998

- LEGEND
- 1. EXISTING PAVEMENT
 - 2. EXISTING HMA SURFACE
 - 3. EXISTING HMA SHOULDER
 - 4. EXISTING MEDIAN
 - 5. PROPOSED CRACK & JOINT SEALING
 - 6. EXISTING AGGREGATE SHOULDER
 - 7. EXISTING RUMBLE STRIPS

EAST LAKE SHORE DR & PALM RD



TYPICAL SECTION # 5

NOTE : LEFT SIDE (NB)

- 5. STA 24+15.00 TO STA 28+52.68
DL - 14' TO 24', HMA SHLD - 8', AGG SHLS - 2'
- 6. STA 28+52.68 TO STA 30+69.64
DL - 45' TO 33', RTL - 16' TO 17', HMA SHLD - 6', AGG SHLD 2'
BRIDGE OMISSION STA 30+69.64 TO STA 33+31.89
- 7. STA 33+31.89 TO STA 35+00.00
DL - 15' TO 12', RTL - 15.5' TO 13', HMA SHLD - 6' TO 7.0,'
- 8. STA 35+00.00 TO 36+63.23
DL - 12', RTL - 12', HMA SHLD - 8', AGG SHLD -3'

NOTE : RIGHT SIDE (SB)

- 5. STA 27+55.39 TO STA 30+69.64
DL - 14', HMA SHLD - 8', AGG SHLS - 2'
- BRIDGE OMISSION STA 30+69.64 TO STA 33+31.89
- 6. STA 33+31.89 TO STA 35+25.00
DL - 14' TO 26', HMA SHLD - 8', AGG SHLD 2'
- 7. STA 35+25.00 TO STA 38+85.33
DL - 14', LTL - 12', HMA SHLD - 8, AGG SHLD - 2'
- 8. STA 38+85.33 TO 43+18.25
DL - 14', MEDIAN - 19' TO 0', HMA SHLD - 8', AGG SHLD - 2'
RTL - 16'

MODEL: Typical Section 5 (Sheet)
 FILE NAME: P:\Illinois\2023\Projects\DOT Office\District 6\ORD Project\0672075\CADD\Drawings\CD\Sheet\72075-sh5-typical.dgn

USER NAME = UmeshReddy	DESIGNED -	REVISED -
	DRAWN -	REVISED -
PLOT SCALE = 0.16666833' / in.	CHECKED -	REVISED -
PLOT DATE = 3/22/2023	DATE -	REVISED -

**STATE OF ILLINOIS
DEPARTMENT OF TRANSPORTATION**

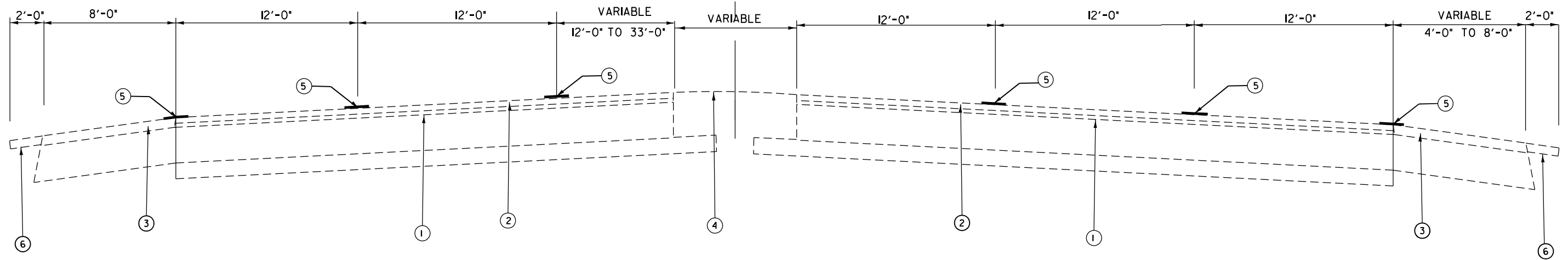
TYPICAL SECTIONS FAU 7998 (EAST LAKE SHORE DR/PALM RD)			
SCALE:	SHEET	OF SHEETS	STA. TO STA.

F.A. RTE.	SECTION	COUNTY	TOTAL SHEETS	SHEET NO.
**	(102,110X-2)CJS	SANGAMON	18	8
CONTRACT NO. 72075				
ILLINOIS FED. AID PROJECT STP-090E(025)				

** FAP 658, FAU 7998

EAST LAKE SHORE DR & PALM RD

- LEGEND
- 1. EXISTING PAVEMENT
 - 2. EXISTING HMA SURFACE
 - 3. EXISTING HMA SHOULDER
 - 4. EXISTING MEDIAN
 - 5. PROPOSED CRACK & JOINT SEALING
 - 6. EXISTING AGGREGATE SHOULDER
 - 7. EXISTING RUMBLE STRIPS



NOTE : LEFT SIDE (NB)

TYPICAL SECTION # 6

NOTE : RIGHT SIDE (SB)

- 9. STA 36+63.23 TO 36+76.64,
AGG SHLD 7.5' TO 2'
- 10. STA 36+76.64 TO STA 37+25.66
DL - 12', RTL - 12', HMA SHLD - 8', AGG SHLD - 2'
- 11. STA 37+25.66 TO STA 38+02.96 = 33'
HMA SHLD = 8', AGG SHLD 2'
SHLDS STOPS AT 37+69.00
- 12. STA 38+02.96 TO STA 38+79.37
DL - 33'- 24'
- 13. STA 38+79.37 TO STA 47+83.61
DBL DL - 12' EACH, HMA SHLD - 8', AGG SHLD - 2'
- 14. STA 47+83.61 TO STA 50+00.00
DBL DL- 12' EACH, LTL - 12'. HMA SHLD - 8', AGG SHLD - 2'
- 15. STA 50+00.00 TO STA 54+93.00
DBL DL - 12', HMA SHLD = 8', AGG SHLD = 2'

- 9. STA 43+18.25 TO STA 46+50.00
DBL DL - 12' EACH, RTL - 12', HMA SHLD - 6'-4',
- 10. STA 46+50.00 TO STA 48+12.00
DBL DL - 12' EACH
- 11. STA 48+12.00 TO STA 54+30.00
DBL DL - 12' EACH, HMA SHLD - 8',

MODEL: Typical Section / (Sheet)
FILE NAME: P:\bids\2023\102.110X-2\CJS\102.110X-2\CAD\Drawings\2023\Typical.dgn

USER NAME = UmeshReddy	DESIGNED -	REVISED -
	DRAWN -	REVISED -
PLOT SCALE = 0.16666833' / in.	CHECKED -	REVISED -
PLOT DATE = 3/22/2023	DATE -	REVISED -

STATE OF ILLINOIS
DEPARTMENT OF TRANSPORTATION

TYPICAL SECTIONS			
FAU 7998 (EAST LAKE SHORE DR/PALM RD)			
SCALE:	SHEET	OF	SHEETS
	STA.		TO STA.

F.A. RTE.	SECTION	COUNTY	TOTAL SHEETS	SHEET NO.
**	(102.110X-2)CJS	SANGAMON	18	9
CONTRACT NO. 72075				
ILLINOIS FED. AID PROJECT STP-090E(025)				

** FAP 658, FAU 7998



MATCHLINE STA. 341+00.00



MATCHLINE STA. 341+00.00

MATCHLINE STA. 356+00.00

MODEL: E:\CL7_Plan 1 (Sheet)
 FILE NAME: P:\MIDOT\Documents\DOT Office\District 6\ORD Project\0672075\CADD\Data\CAD\Sheet\2075_sht_1_Plan.dgn

USER NAME = UmeshReddy	DESIGNED -	REVISED -
DRAWN -	REVISED -	
PLOT SCALE = 0.16666633' / in.	CHECKED -	REVISED -
PLOT DATE = 3/22/2023	DATE -	REVISED -

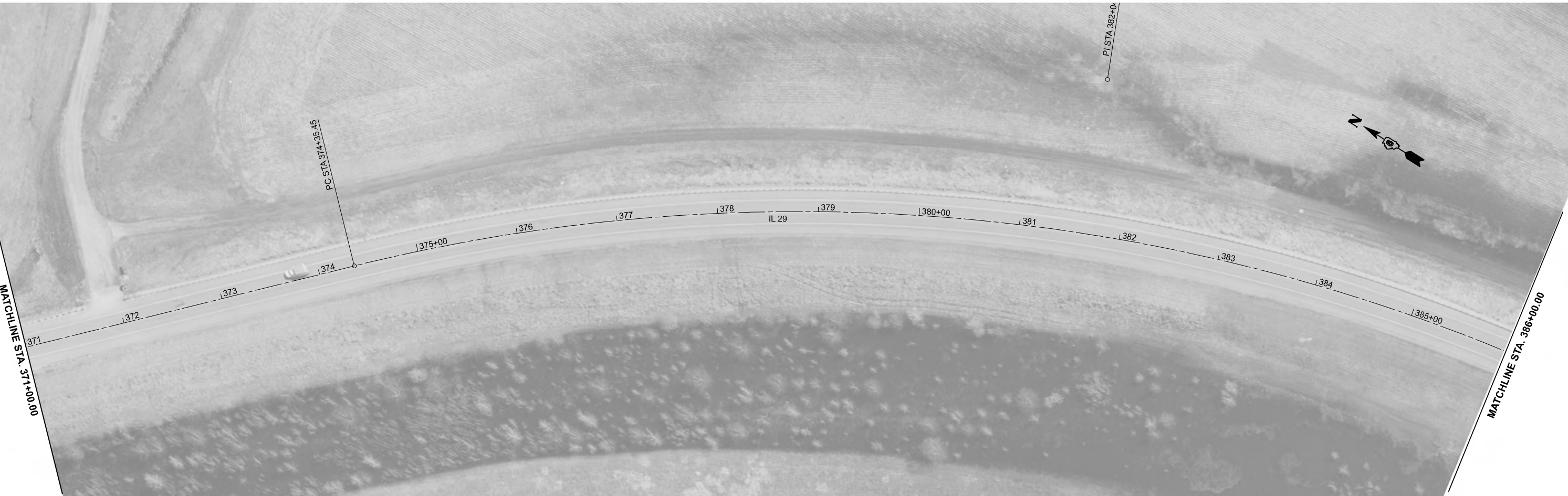
**STATE OF ILLINOIS
 DEPARTMENT OF TRANSPORTATION**

**PLAN SHEET
 FAP 658 (IL 29)**

SCALE: 1"=50' SHEET OF SHEETS STA. TO STA.

F.A. RTE.	SECTION	COUNTY	TOTAL SHEETS	SHEET NO.
**	(102,110X-2)CJS	SANGAMON	18	10
CONTRACT NO. 72075				

ILLINOIS FED. AID PROJECT
 ** FAP 658, FAU 7998



MODEL: E:\CL7_Plan 3 (Sheet)
 FILE NAME: P:\MIDOT\Documents\DOT Office\District 6\ORD Project\0672075\CADD\Drawings\2075_sht_3_Plan.dgn

USER NAME = UmeshReddy	DESIGNED -	REVISED -
DRAWN -	REVISED -	
PLOT SCALE = 0.16666633' / in.	CHECKED -	REVISED -
PLOT DATE = 3/22/2023	DATE -	REVISED -

STATE OF ILLINOIS
DEPARTMENT OF TRANSPORTATION

PLAN SHEET			
FAP 658 (IL 29)			
SCALE: 1"=50'	SHEET	OF SHEETS	STA. TO STA.

F.A. RTE.	SECTION	COUNTY	TOTAL SHEETS	SHEET NO.
**	(102,110X-2)CJS	SANGAMON	18	11
CONTRACT NO. 72075				
ILLINOIS FED. AID PROJECT				

** FAP 658, FAU 7998



MODEL: E:\CLT_Plan 5 (Sheet)
 FILE NAME: P:\MIDOT\Documents\DOT Office\District 6\ORD Project\0872075\CADD\Drawings\2075_sht_Plan.dgn

USER NAME = Umesh.Reddy	DESIGNED -	REVISED -
DRAWN -	REVISED -	
PLOT SCALE = 0.16666633' / in.	CHECKED -	REVISED -
PLOT DATE = 3/22/2023	DATE -	REVISED -

STATE OF ILLINOIS
DEPARTMENT OF TRANSPORTATION

PLAN SHEET
FAP 658 (IL 29)

SCALE: 1"=50' SHEET OF SHEETS STA. TO STA.

F.A. RTE.	SECTION	COUNTY	TOTAL SHEETS	SHEET NO.
**	(102,110X-2)CJS	SANGAMON	18	12
CONTRACT NO. 72075				

ILLINOIS FED. AID PROJECT
** FAP 658, FAU 7998

MODEL: E:\CLT_Plan 9 (Sheet)
 FILE NAME: P:\Bids\Projects\DOT\Office\District 6\ORD Projects\6672075\CADD\Drawings\CD\Sheet\22075_sht_1_Plan.dgn



USER NAME = UmeshReddy	DESIGNED -	REVISED -
DRAWN -	REVISED -	
PLOT SCALE = 0.16666633' / in.	CHECKED -	REVISED -
PLOT DATE = 3/22/2023	DATE -	REVISED -

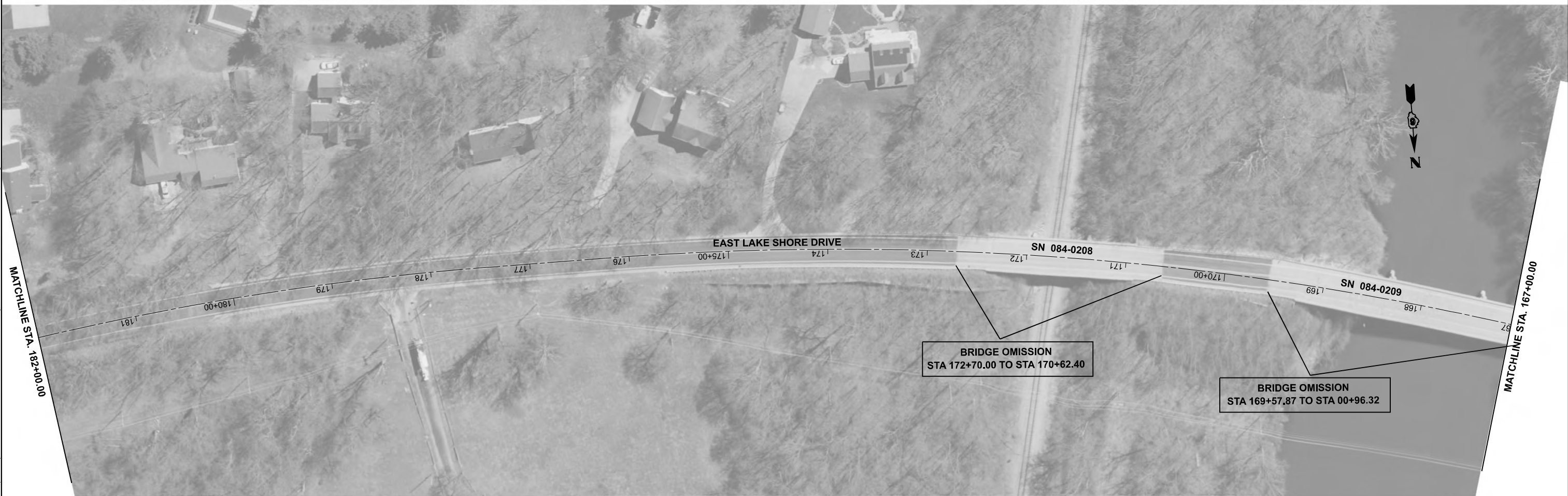
**STATE OF ILLINOIS
 DEPARTMENT OF TRANSPORTATION**

**PLAN SHEET
 FAP 658 (IL 29)**

SCALE: 1"=50' SHEET OF SHEETS STA. TO STA.

F.A. RTE.	SECTION	COUNTY	TOTAL SHEETS	SHEET NO.
**	(102,110X-2)CJS	SANGAMON	18	14
CONTRACT NO. 72075				
ILLINOIS FED. AID PROJECT				

** FAP 658, FAU 7998



MODEL: E Lake Shore Dr - Plan 16 (Sheet)
 FILE NAME: P:\Biospec\2023\2023\DOT\Office\District\CORD\Projects\0872075\CADD\Draws\CAD\Sheet\22075_sht_Plan.dgn

USER NAME = Umesh.Reddy	DESIGNED -	REVISED -
	DRAWN -	REVISED -
PLOT SCALE = 0.16666633' / in.	CHECKED -	REVISED -
PLOT DATE = 3/22/2023	DATE -	REVISED -

STATE OF ILLINOIS
DEPARTMENT OF TRANSPORTATION

PLAN SHEET
FAU 7998 (EAST LAKE SHORE DRIVE/PALM RD)

SCALE: 1"=50' SHEET OF SHEETS STA. TO STA.

F.A. RTE.	SECTION	COUNTY	TOTAL SHEETS	SHEET NO.
**	(102,110X-2)CJS	SANGAMON	18	15
CONTRACT NO. 72075				
ILLINOIS FED. AID PROJECT				

** FAP 658, FAU 7998



MODEL: E Lake Shore Dr - Plan 18 (Sheet)
 FILE NAME: P:\Biospec\2023\2023\DOT\Office\District\CORD\Projects\0872075\CADD\Data\CAD\Sheet\2075_sht_Plan.dgn

USER NAME = Umesh.Reddy	DESIGNED -	REVISED -
DRAWN -	REVISED -	
PLOT SCALE = 0.16666633' / in.	CHECKED -	REVISED -
PLOT DATE = 3/22/2023	DATE -	REVISED -

STATE OF ILLINOIS
DEPARTMENT OF TRANSPORTATION

PLAN SHEET
FAU 7998 (EAST LAKE SHORE DRIVE/PALM RD)

SCALE: 1"=50' SHEET OF SHEETS STA. TO STA.

F.A. RTE.	SECTION	COUNTY	TOTAL SHEETS	SHEET NO.
**	(102,110X-2)CJS	SANGAMON	18	16
CONTRACT NO. 72075				
ILLINOIS FED. AID PROJECT				

** FAP 658, FAU 7998



MODEL: E:\Lake Shore Dr - Plan_20 (Sheet)
 FILE NAME: P:\Projects\2023\FAU 7998\Drawings\CD\Drawings\2023-ah1-Plan.dgn

USER NAME = Umesh.Reddy	DESIGNED -	REVISED -
DRAWN -	REVISED -	
PLOT SCALE = 0.16666633' / in.	CHECKED -	REVISED -
PLOT DATE = 3/22/2023	DATE -	REVISED -

STATE OF ILLINOIS
DEPARTMENT OF TRANSPORTATION

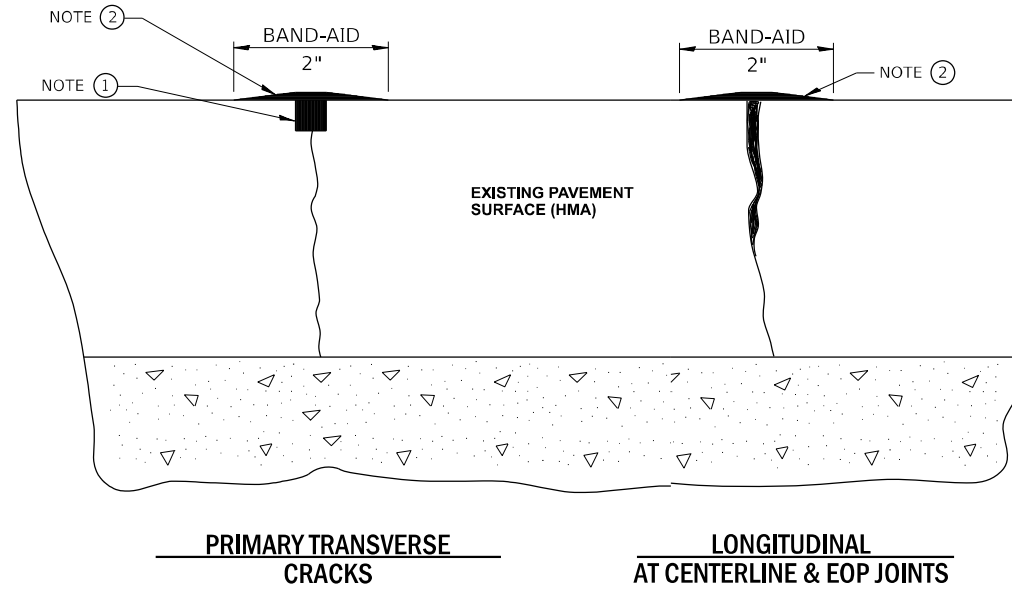
PLAN SHEET
FAU 7998 (EAST LAKE SHORE DRIVE/PALM RD)

SCALE: 1"=50' SHEET OF SHEETS STA. TO STA.

F.A. RTE.	SECTION	COUNTY	TOTAL SHEETS	SHEET NO.
**	(102,110X-2)CJS	SANGAMON	18	17
CONTRACT NO. 72075				
ILLINOIS FED. AID PROJECT				

** FAP 658, FAU 7998

CRACK & JOINT SEALING DETAILS



NOTES

- ① ROUTE OR SAW TO $\frac{3}{4}$ " WIDE BY $\frac{3}{4}$ " DEEP; (1:1 RATIO).
- ② OVERFILL WITH SEALANT: SQUEEGE TO PROVIDE 2" WIDE FLUSH "BAND-AID" EFFECT; FEATHER EDGES FLUSH.

CRACK OR JOINT SEAL IN AREAS ADJACENT TO EXISTING PAVEMENT MARKINGS SHALL BE REDUCED OR ELIMINATED AS DIRECTED BY THE ENGINEER.

MODEL: 72075.Dwg (Sheet) / Sheet
 FILE NAME: P:\Bids\2023\2023\DOT\Documents\DOT Office\District 6\ORD Project\0672075\CADD\Drawings\CAD\Sheet\72075-sh-01.dwg

USER NAME = Umesh.Reddy	DESIGNED -	REVISED -	
	DRAWN -	REVISED -	
PLOT SCALE = 0.16666633' / in.	CHECKED -	REVISED -	
PLOT DATE = 3/22/2023	DATE -	REVISED -	

**STATE OF ILLINOIS
DEPARTMENT OF TRANSPORTATION**

**CRACK & JOINT SEALING DETAILS
FAP 658 (IL 29), FAU 7998 (EAST LAKE SHORE DR/PALM DR)**

SCALE: SHEET OF SHEETS STA. TO STA.

F.A. RTE.	SECTION	COUNTY	TOTAL SHEETS	SHEET NO.
**	(102,110X-2)CJS	SANGAMON	18	18
CONTRACT NO. 72075				
ILLINOIS FED. AID PROJECT STP-050E(025)				

** FAP 658, FAU 7998