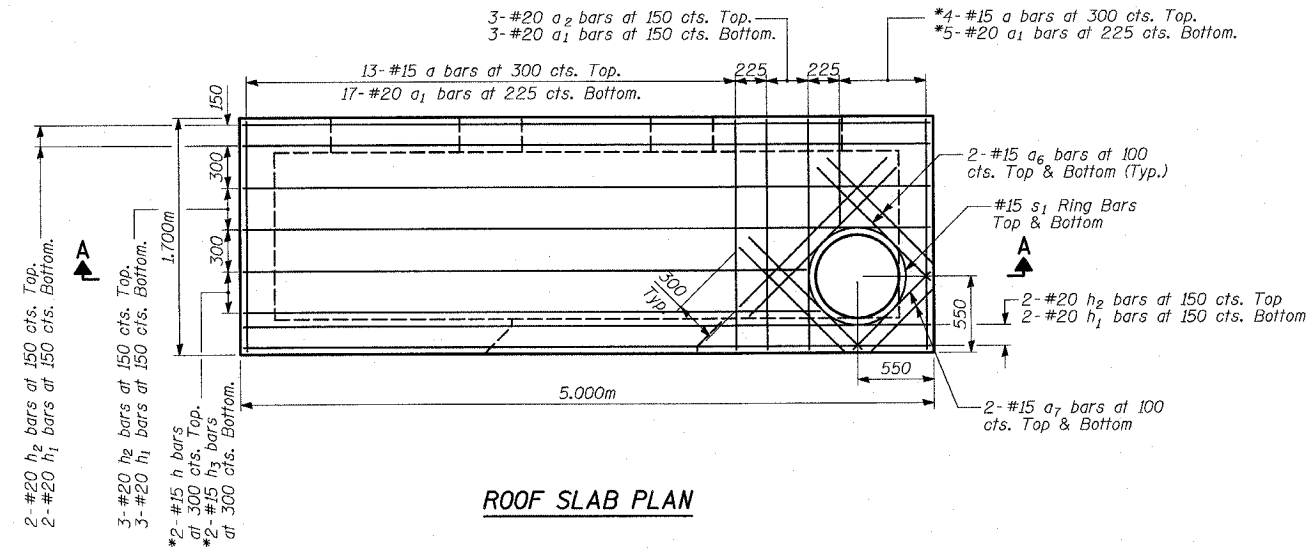


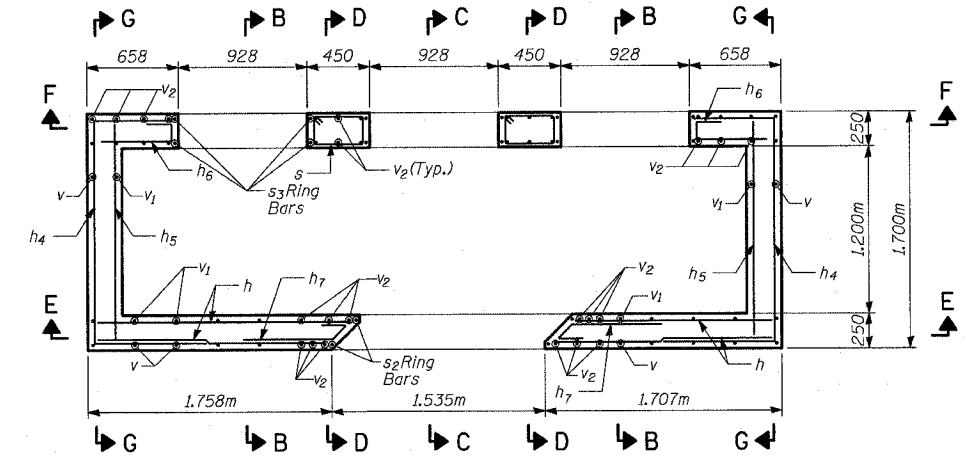
STATE OF ILLINOIS  
DEPARTMENT OF TRANSPORTATION

FAP	SECTION	COUNTY	POST MILE	SHEET
337	20R-5	LAKE	562	217
FED. ROAD DIST. NO. 7		ILLINOIS	FED. AID PROJECT	
D-91-552-99		Contract No. 60881		

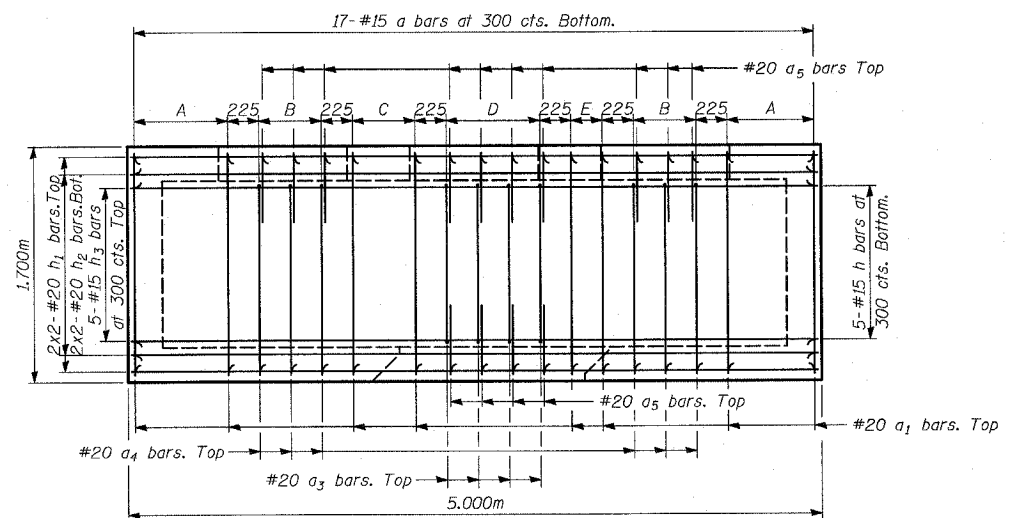
SHEET NO. 2  
3 SHEETS



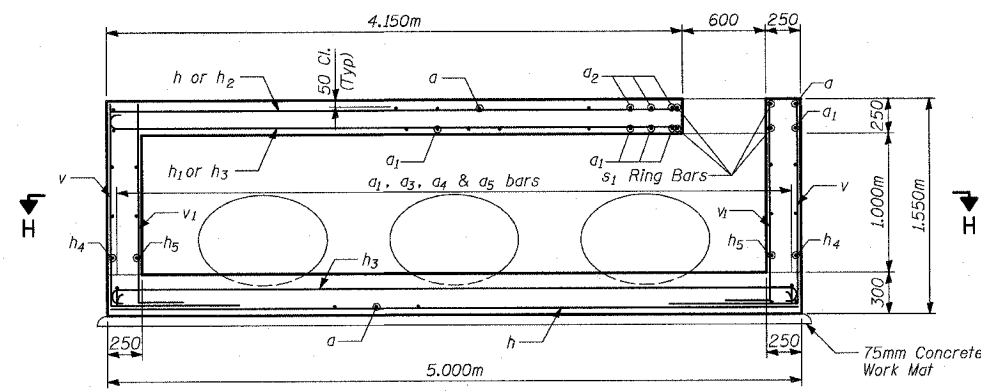
ROOF SLAB PLAN



SECTIONAL PLAN H-H



BOTTOM SLAB PLAN

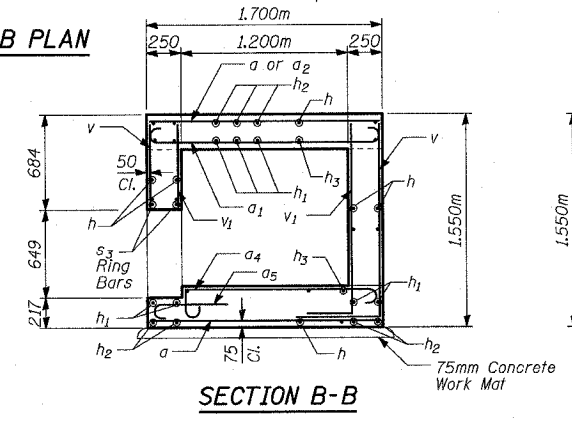


SECTION A-A

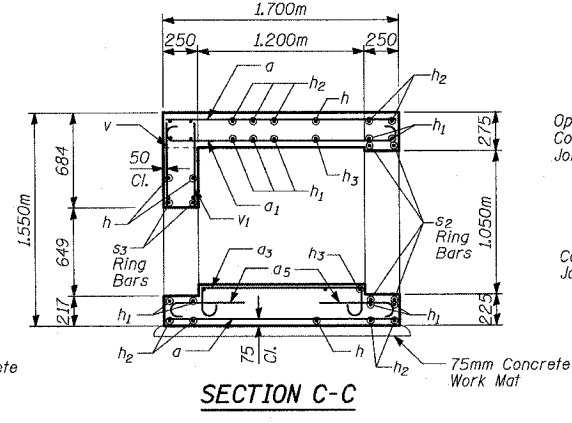
A	4-#20 a1 bars at 225 cts. Top.
B	3-#20 a4 & 3-#20 a5 bars at 225 cts. Top.
C	3-#20 a1 bars at 225 cts. Top.
D	4-#20 a3 & 2x4-#20 a5 bars at 225 cts. Top.
E	2-#20 a1 bars at 225 cts. Top.

**TYLIN INTERNATIONAL**

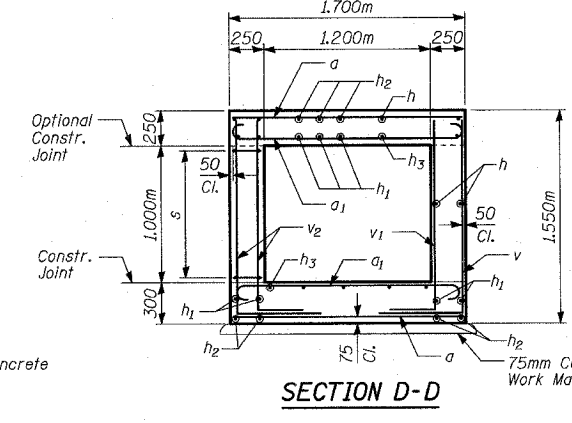
DESIGNED	MI, MAF
CHECKED	TD
DRAWN	MAF, BK
CHECKED	TD
DATE	03-22-2004



SECTION B-B



SECTION C-C



SECTION D-D

**NOTES:**  
1. Reinforcement bar clearance to be 50mm unless otherwise noted.  
E.F. - denotes Each Face  
E.S. - denotes Each Side  
I.F. - denotes Inside Face  
O.F. - denotes Outside Face  
\* Cut bars to fit in field

<b>DETAILS 1</b>
JUNCTION CHAMBER 2 STA. 103+408.310 IL ROUTE 22 FAP 337 SECTION 20R-5 IL RTE 83 TO US 45/IL 21 LAKE COUNTY