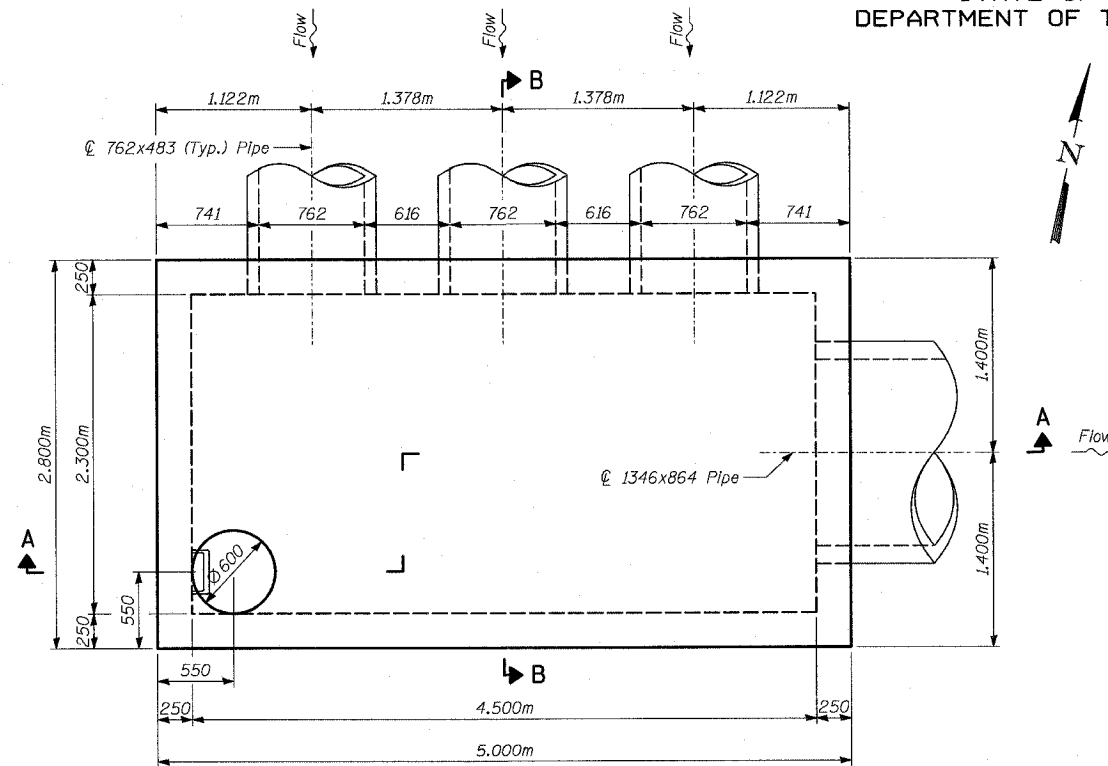
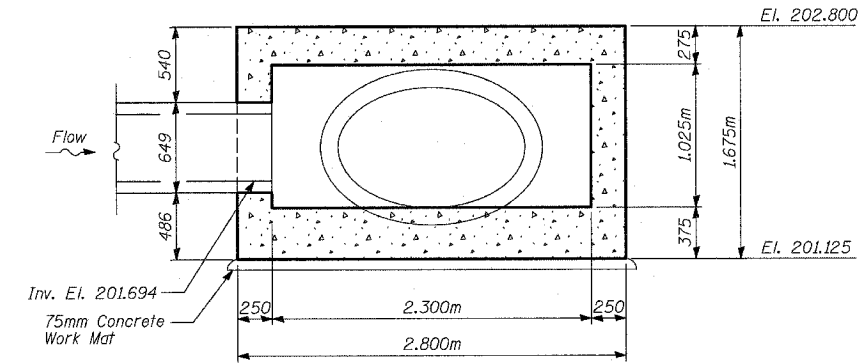


STATE OF ILLINOIS
DEPARTMENT OF TRANSPORTATION

FAP	SECTION	COUNTY	SHEET	SHEET NO. 1
337	20R-5	LAKE	562	222
FED. ROAD DIST. NO. 7		ILLINOIS		FED. AID PROJECT
0-91-552-99		Contract No. 60881		



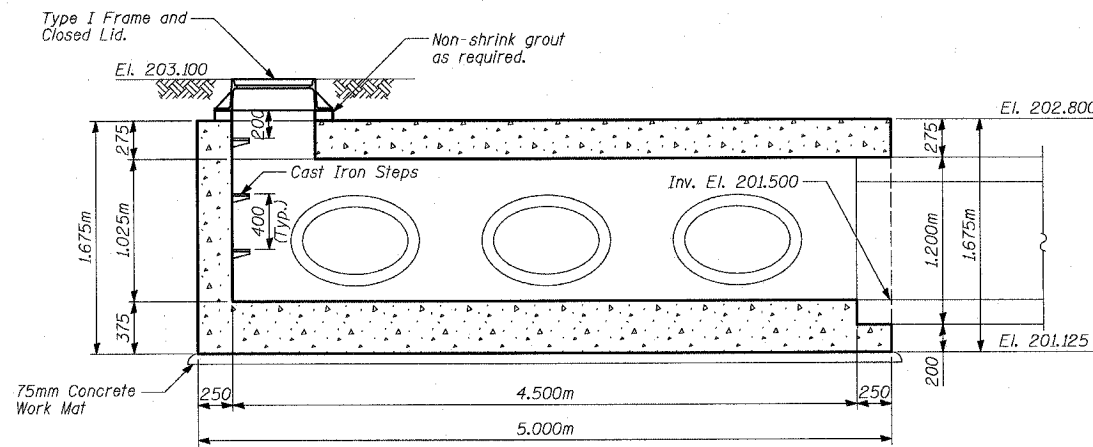
PLAN
(Structure No. 324)



SECTION B-B

GENERAL NOTES:

1. All pipe openings are based on Wall A, ASTM C76, coordinate openings with pipe supplier.
2. All dimensions are in millimeters (mm) except as noted.
3. Elevations are in meters.
4. All hardware and cast Iron Steps are included with the cost of the structure.
5. Cast Iron Steps shall be gray iron conforming to the requirements of Article 1006.14 of the Standard Specifications.
6. See Standard 602701 for details of cast Iron Steps.
7. Junction Chamber may be constructed of precast reinforced concrete sections. All joints shall be rubber gasketed.
8. For additional information, see Specifications.
9. For reinforcement details, see Sheets 2 & 3 of 3.
10. For Station and Offset, see "Drainage Schedules".
11. Concrete Compressive Strength $f'c = 24$ MPa.
12. Reinforcement Yield Strength $f_y = 400$ MPa.
13. All concrete edges shall be chamfered 20mm.
14. All construction joints shall be bonded.



SECTION A-A

TYLIN INTERNATIONAL

DESIGNED	MI, DJR
CHECKED	TD
DRAWN	DJR
CHECKED	TD

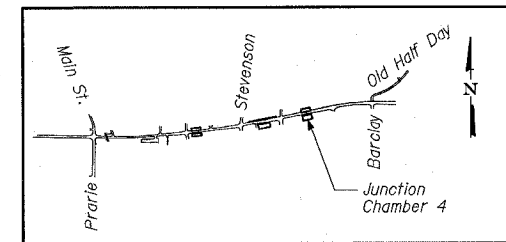
DATE 03-22-2004

TOTAL BILL OF MATERIAL

ITEM	UNIT	TOTAL
Junction Chamber, No. 4	EACH	1



Signed *Heather J. Gaffney*
Heather J. Gaffney, S.E., No. 081-004961
Expires 11-30-2004
Date 3/22/04
For drawings 1 thru 3 of 3



LOCATION SKETCH

GENERAL PLAN & SECTION

JUNCTION CHAMBER 4
STA. 104+013.220
IL ROUTE 22
FAP 337 SECTION 20R-5
IL RTE 83 TO US 45/IL 21
LAKE COUNTY