

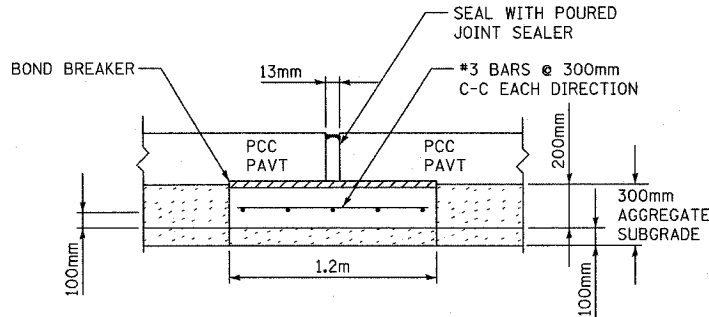
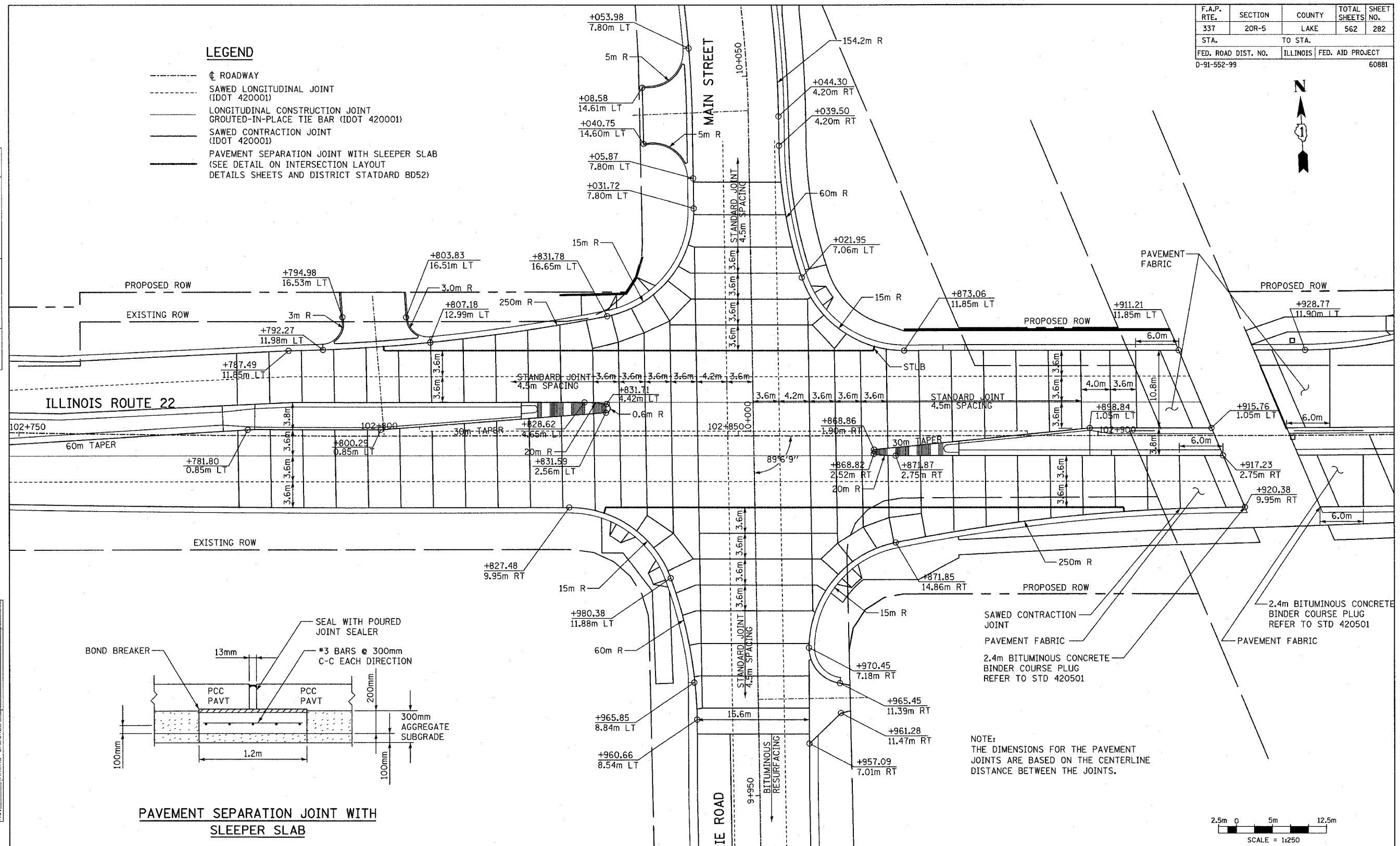
F.A.P. RTE.	SECTION	COUNTY	TOTAL SHEETS	SHEET NO.
337	20R-5	LAKE	562	282
STA.	TO STA.			
FED. ROAD DIST. NO.	ILLINOIS	FED. AID PROJECT		
D-91-552-99			60881	

**LEGEND**

- ROADWAY
- SAWED LONGITUDINAL JOINT (IDOT 420001)
- LONGITUDINAL CONSTRUCTION JOINT GROUTED-IN-PLACE TIE BAR (IDOT 420001)
- SAWED CONTRACTION JOINT (IDOT 420001)
- PAVEMENT SEPARATION JOINT WITH SLEEPER SLAB (SEE DETAIL ON INTERSECTION LAYOUT DETAILS SHEETS AND DISTRICT STANDARD BD52)

BY	DATE
FINAL SURVEYED	
SURVEY PLOTTED	
NOTE BOOK TEMPLATE	
AREAS CHECKED	
NO.	

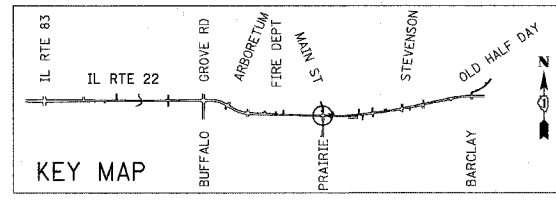
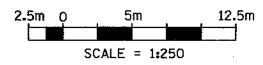
BY	DATE
ORIGINAL SURVEYED	
SURVEY PLOTTED	
NOTE BOOK TEMPLATE	
AREAS CHECKED	
NO.	



**PAVEMENT SEPARATION JOINT WITH SLEEPER SLAB**

COST OF BOND BREAKER AND JOINT/FILLER INCLUDED IN THE COST OF 'SLEEPER SLAB'.

NOTE:  
THE DIMENSIONS FOR THE PAVEMENT JOINTS ARE BASED ON THE CENTERLINE DISTANCE BETWEEN THE JOINTS.



REVISIONS	
NAME	DATE

ILLINOIS DEPARTMENT OF TRANSPORTATION  
IL RTE 22 (FAP 337)  
IL RTE 83 TO US 45 / IL 21 (MILWAUKEE AVE)  
**INTERSECTION LAYOUT DETAILS**  
ILLINOIS ROUTE 22 AT PRAIRIE ROAD  
SCALE: 1:250  
DATE: 03-22-2004  
DRAWN BY:  
CHECKED BY: JNR