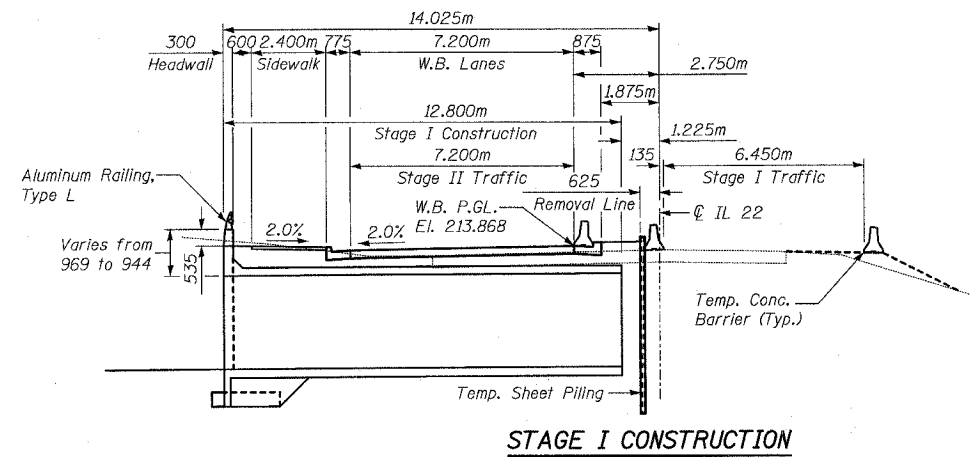
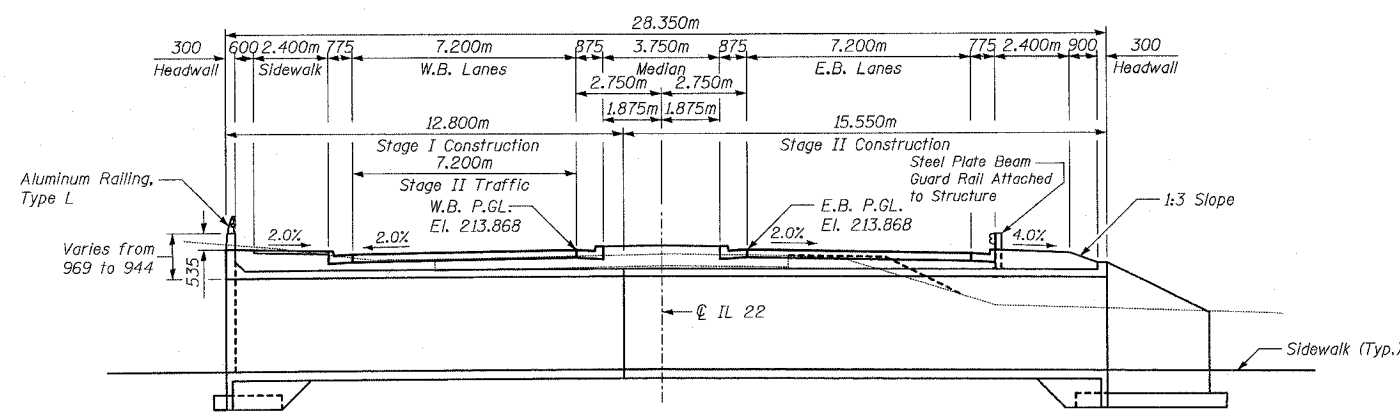


STATE OF ILLINOIS  
DEPARTMENT OF TRANSPORTATION

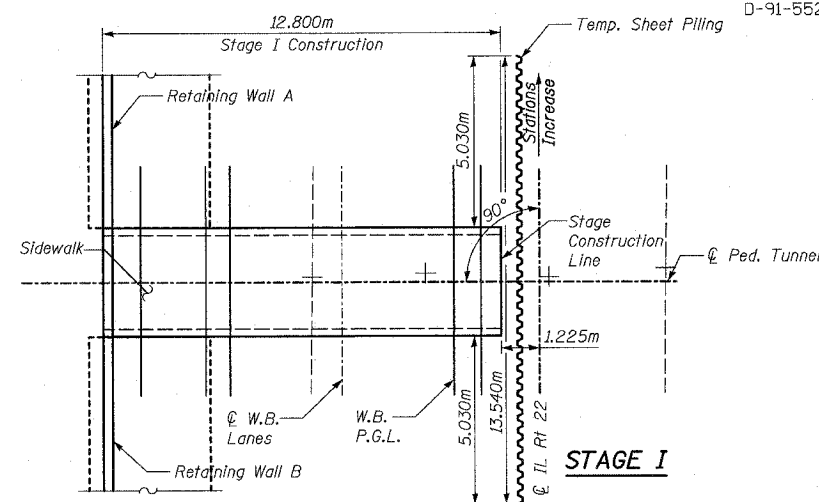
FAP	SECTION	COUNTY	SHEET	PROJECT
337	20R-5	LAKE	562	415
SHEET NO. 2 13 SHEETS				
FED. ROAD DIST. NO. 7		ILLINOIS FED. AID PROJECT		
0-91-552-99		Contract No. 60881		



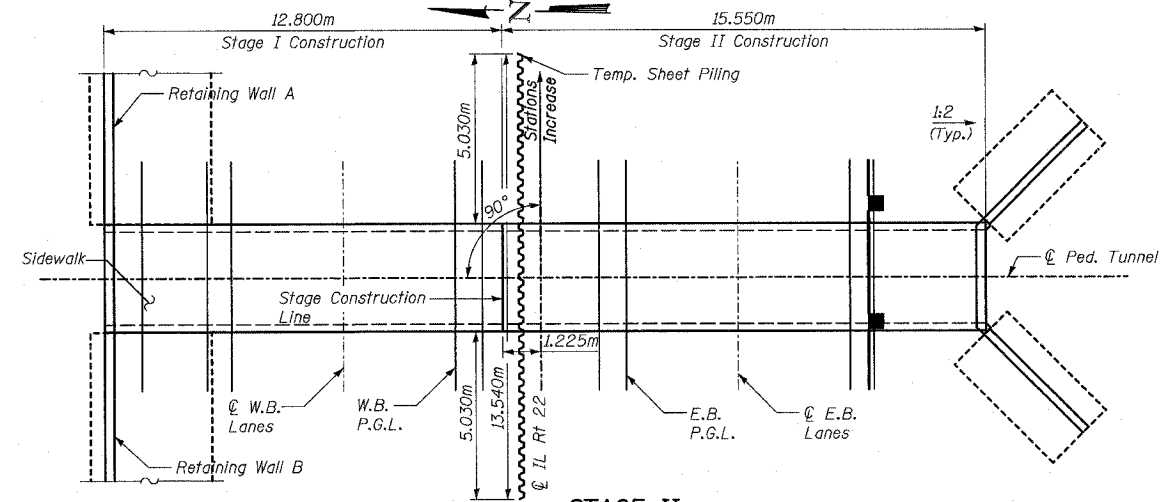
STAGE I CONSTRUCTION



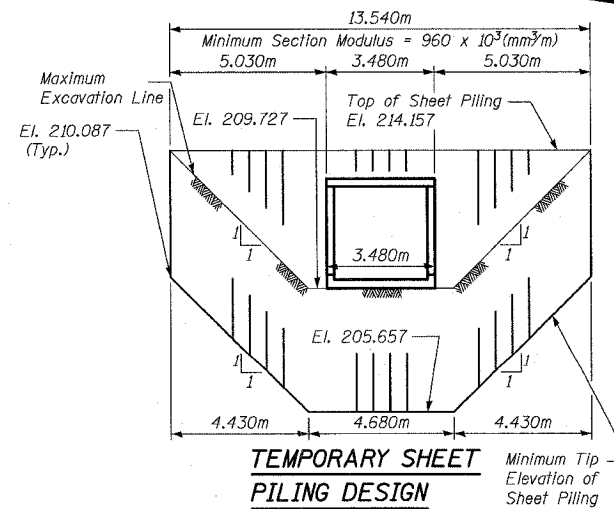
STAGE II CONSTRUCTION



STAGE I



STAGE II



TEMPORARY SHEET PILING DESIGN

NOTES:

- For details of temporary concrete barrier, see Standard 704001.
- For quantity of temporary concrete barrier, see roadway plans.
- If the contractor chooses to alter the temporary cantilevered sheet piling design requirements shown on the plans for lesser design requirements, then full design submittals with the required seals will be required by the Department, for review and approval.

TY-LIN INTERNATIONAL

DESIGNED	MAF, DJR
CHECKED	MI
DRAWN	MAF, DJR
CHECKED	MI
DATE	03-22-2004

BILL OF MATERIAL

Item	Unit	TOTAL
Temporary Sheet Piling	SQ M	96
Structure Excavation	CU M	790

STAGE CONSTRUCTION

IL ROUTE 22 OVER  
PEDESTRIAN TUNNEL  
FAP 337 SECTION 20R-5  
LAKE COUNTY  
STA. 100+775.000  
S.N. 049-T016