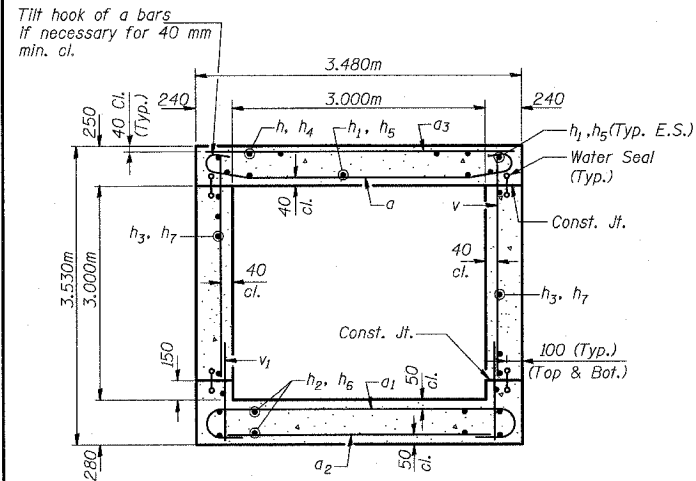
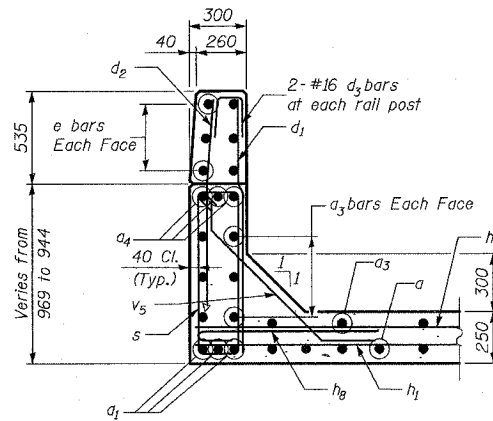


STATE OF ILLINOIS  
DEPARTMENT OF TRANSPORTATION

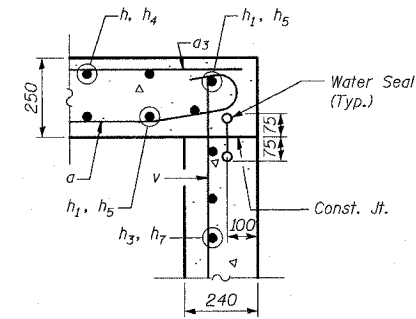
FAP	SECTION	COUNTY	SHEET	SHEET	SHEET NO. 5
337	20R-5	LAKE	562	418	13 SHEETS
FED. ROAD DIST. NO. 7		ILLINOIS		FED. AID PROJECT	
0-91-552-99		Contract No. 60881			



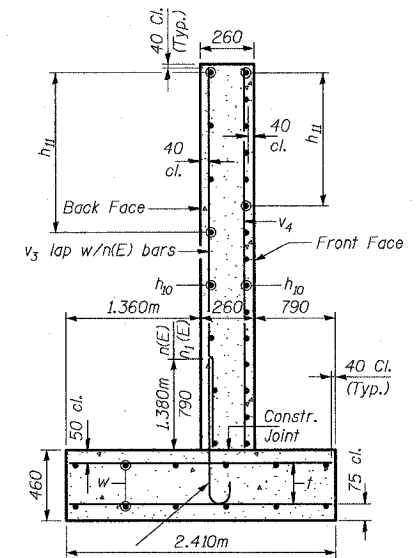
SECTION THRU TUNNEL



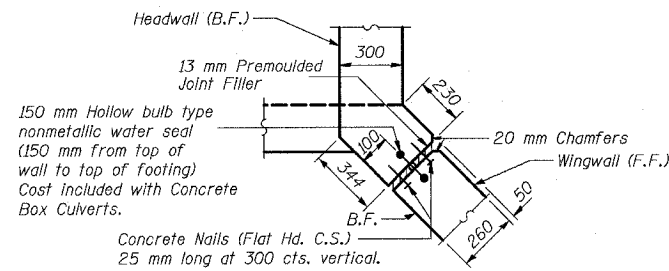
PARAPET DETAIL



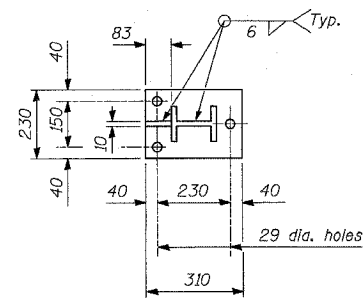
WATER SEAL DETAIL



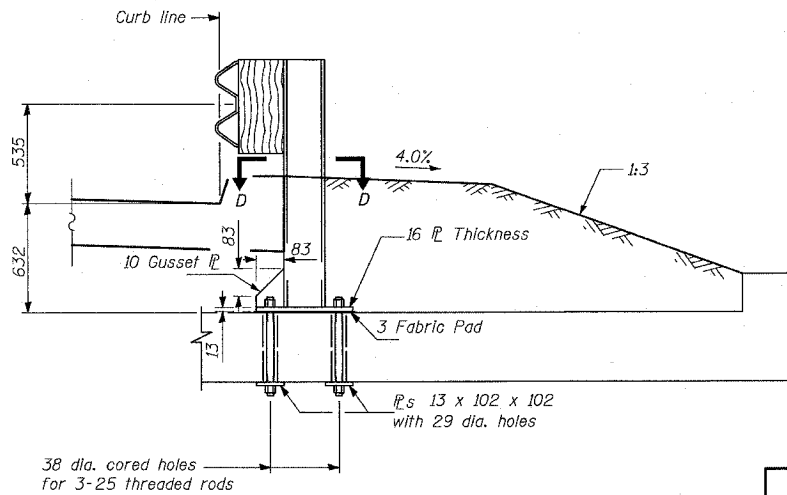
SECTION B-B  
*n(E) & n1(E)  
(Alternate)*



CORNER DETAIL



SECTION D-D



CROSS SECTION

STEEL PLATE BEAM GUARD RAIL ATTACHED TO STRUCTURES

BILL OF MATERIAL

Item	Unit	TOTAL
Steel Plate Beam Guard Rail, Attached to Structures	METER	3.5

TYLIN INTERNATIONAL

DESIGNED	TD, MAF
CHECKED	MI
DRAWN	MAF
CHECKED	MI
DATE	03-22-2004

TUNNEL SECTION AND DETAILS

IL ROUTE 22 OVER  
PEDESTRIAN TUNNEL  
FAP 337 SECTION 20R-5  
LAKE COUNTY  
STA. 100+775.000  
S.N. 049-T016

SSB-T1-0 (M) 6-1-2000