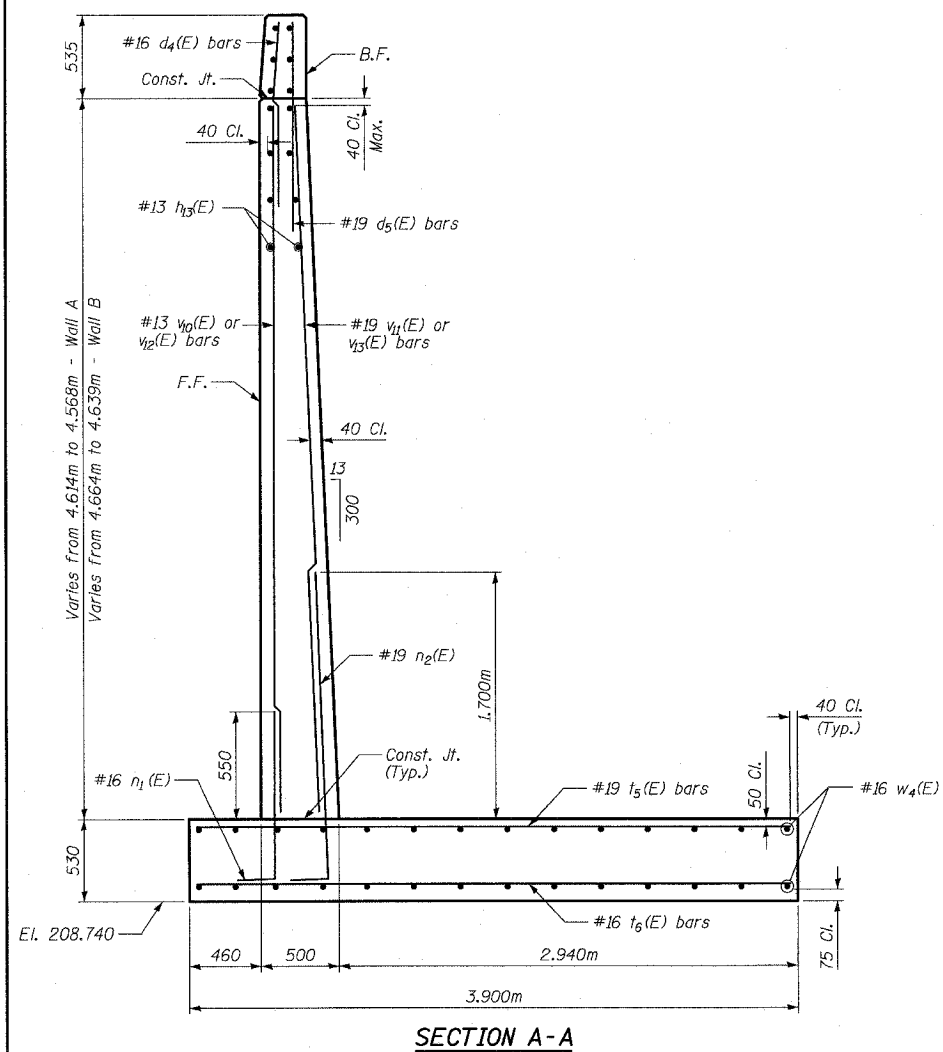
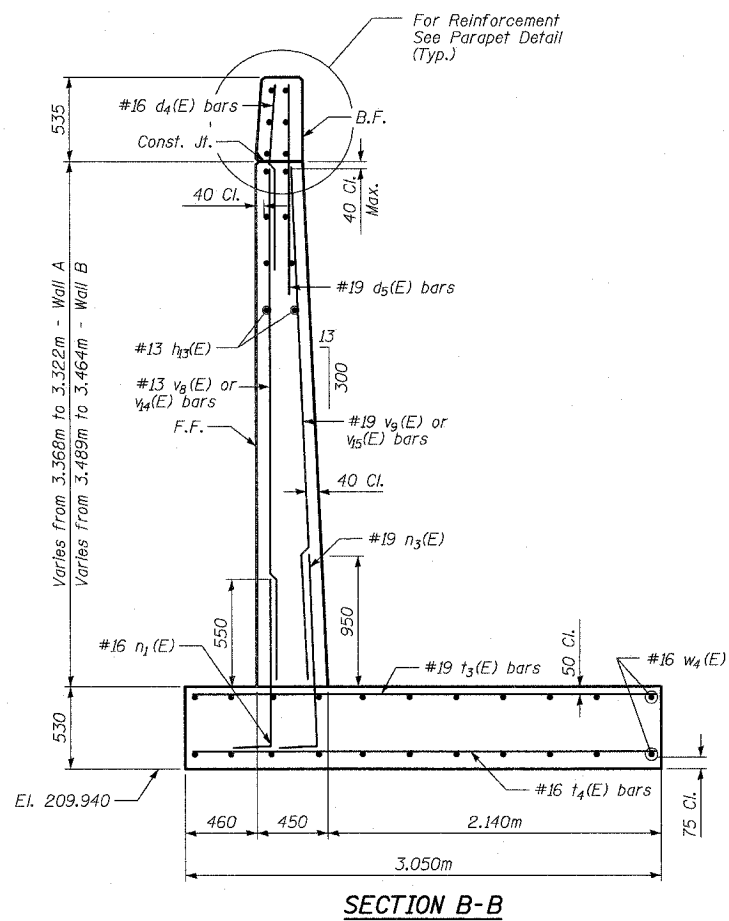


STATE OF ILLINOIS  
DEPARTMENT OF TRANSPORTATION

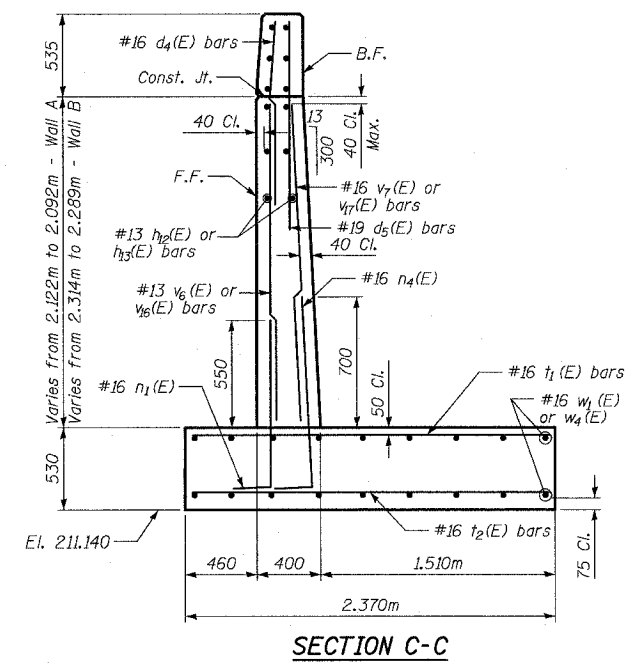
FAP	SECTION	COUNTY	SHEETS	SHEET	SHEET NO. 8
337	20R-5	LAKE	562	421	13 SHEETS
FED. ROAD DIST. NO. 7		ILLINOIS		FED. AID PROJECT	
0-91-552-99		Contract No. 60881			



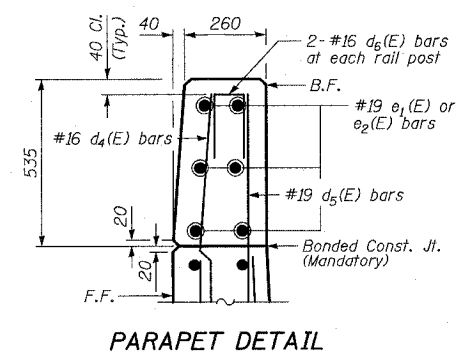
SECTION A-A



SECTION B-B



SECTION C-C



PARAPET DETAIL

NOTES

1. Reinforcement bars designated (E) shall be epoxy coated.

LEGEND

F.F. Denotes Front Face.  
B.F. Denotes Back Face.  
E.F. Denotes Each Face

TYLIN INTERNATIONAL

DESIGNED	DJR
CHECKED	TD
DRAWN	DJR, TB
CHECKED	TD, MI
DATE	03-22-2004

RETAINING WALL SECTIONS

IL ROUTE 22 OVER  
PEDESTRIAN TUNNEL  
FAP 337 SECTION 20R-5  
LAKE COUNTY  
STA. 100+775.000  
S.N. 049-T016