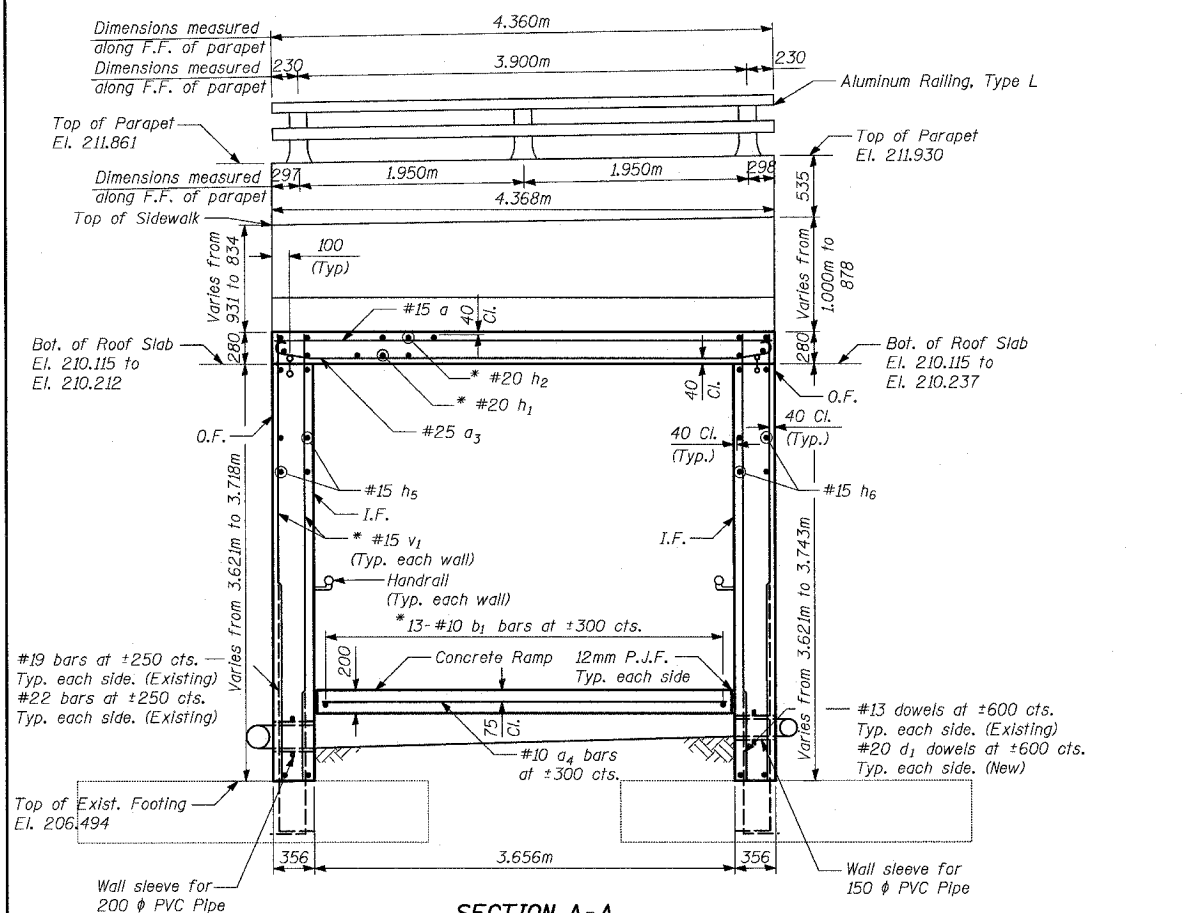


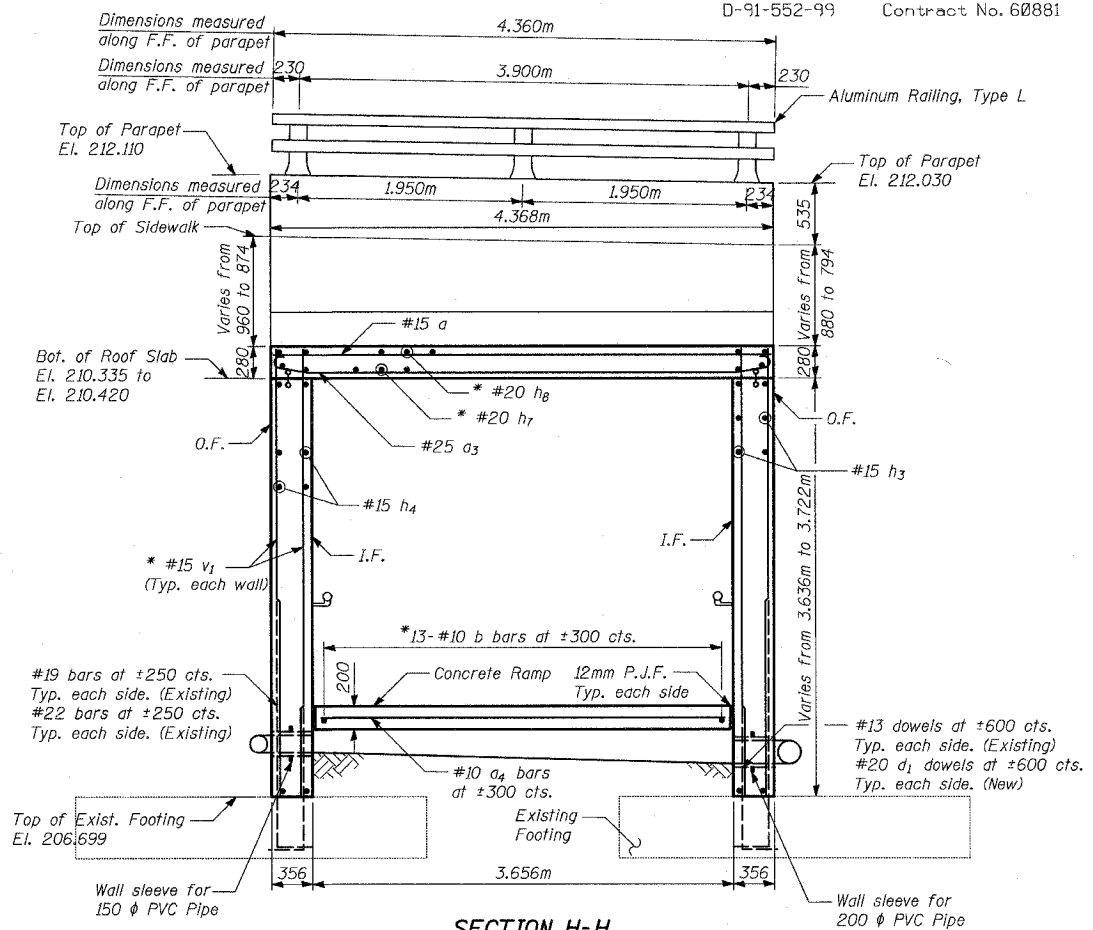
STATE OF ILLINOIS
DEPARTMENT OF TRANSPORTATION

FAP	SECTION	COUNTY	DATE	SHEET
337	20R-5	LAKE	562	448
FED. ROAD DIST. NO. 7		DRAWN	FED. ROAD PROJECT	
D-91-552-99		Contract No. 60881		

SHEET NO. 5
7 SHEETS

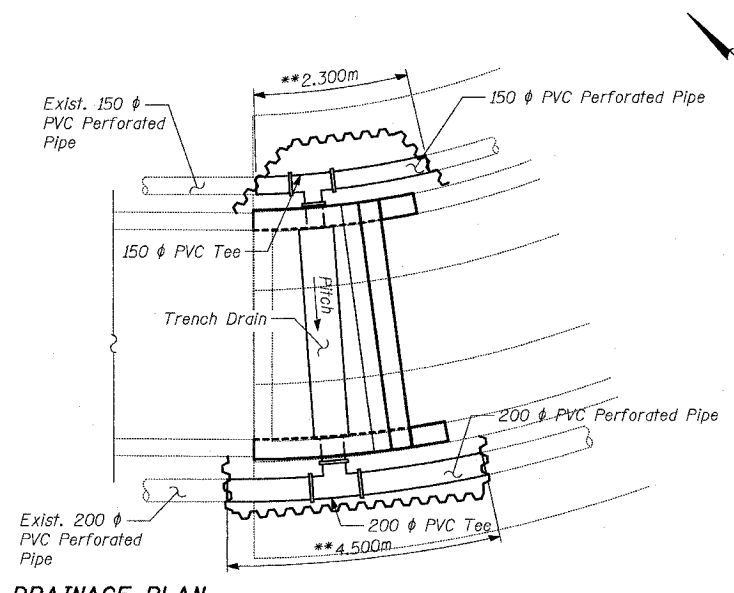
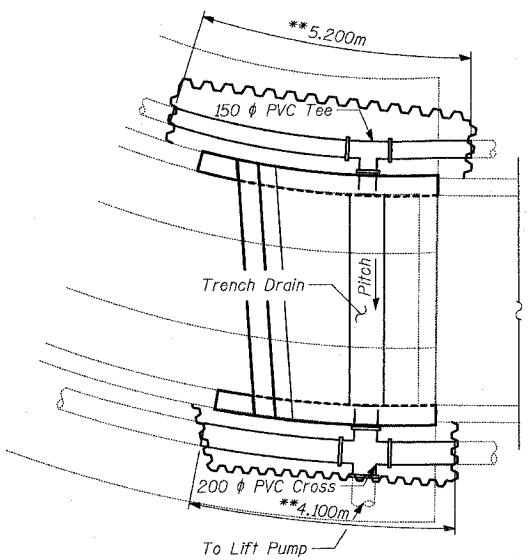


SECTION A-A
(North Tunnel Extension)



SECTION H-H
(South Tunnel Extension)

* Cut bars to fit in field.
 ** Limits of pipe removal and replacement.



DRAINAGE PLAN

NOTES:

All dimensions are measured normal to the tunnel centerline, unless noted otherwise.

LEGEND

- F.F. Denotes - Front Face.
- I.F. Denotes - Inside Face.
- O.F. Denotes - Outside Face.

TUNNEL EXTENSION
DETAILS 1

IL ROUTE 22 OVER
PEDESTRIAN TUNNEL EXTENSION
FAP 337 SECTION 20R-5
LAKE COUNTY
STA. 101+613.705
S.N. 049-T017

TY-LIN INTERNATIONAL

DESIGNED	TD, DJR
CHECKED	MI
DRAWN	DJR
CHECKED	MI
DATE	03-22-2004