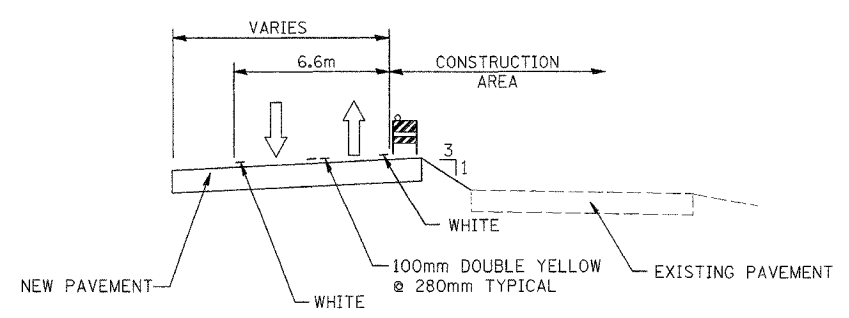
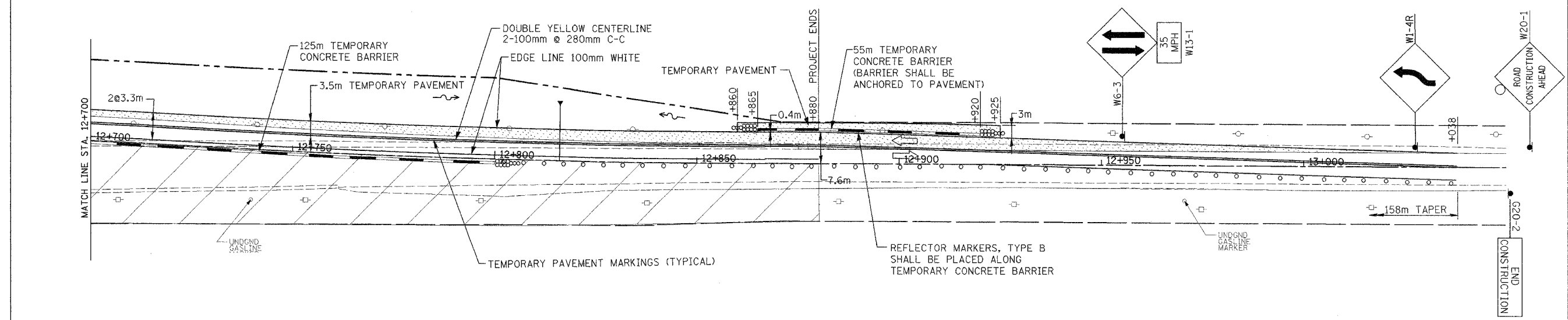
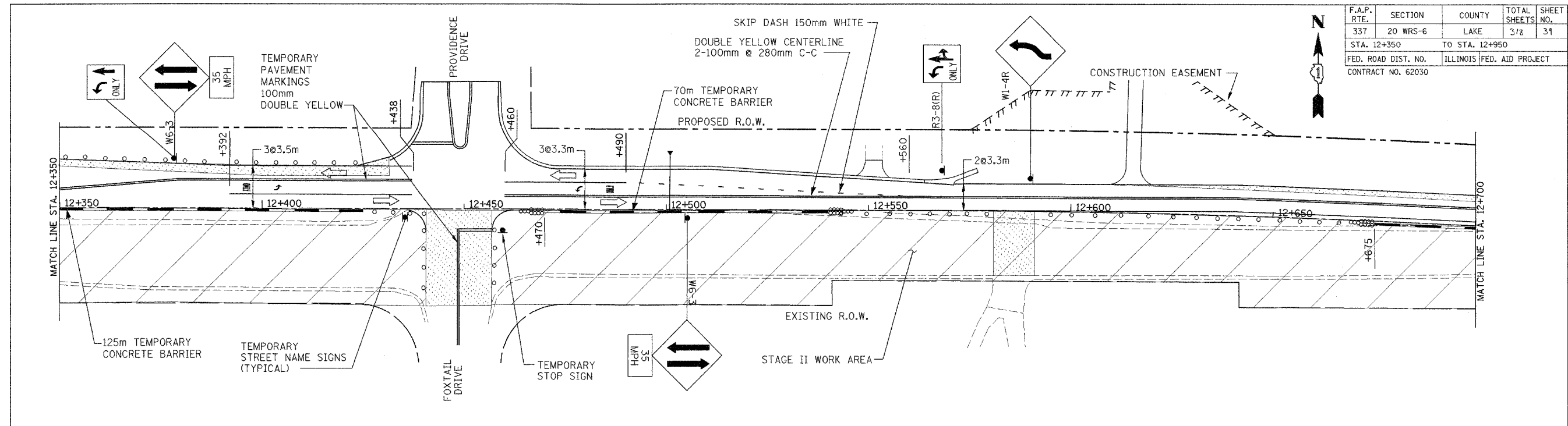


F.A.P. RTE.	SECTION	COUNTY	TOTAL SHEETS	SHEET NO.
337	20 WRS-6	LAKE	3/8	31
STA. 12+350		TO STA. 12+950		
FED. ROAD DIST. NO.		ILLINOIS FED. AID PROJECT		
CONTRACT NO. 62030				



IL 22 STAGE II
STA. 12+470 TO STA. 12+875

- LEGEND**
- CONSTRUCTION AREA
 - DIRECTION OF TRAFFIC
 - TEMPORARY CONCRETE BARRIER WALL WITH VERTICAL PANELS AND STEADY BURN LIGHTS @ 15m C-C
 - TYPE 2 BARRICADES WITH STEADY BURN LIGHTS AT 30m C-C UNLESS OTHERWISE NOTED
 - IMPACT ATTENUATOR
 - TEMPORARY PAVEMENT
 - CONSTRUCTION SIGN
 - DRAINAGE STRUCTURE
 - TEMPORARY CULVERT
 - TEMPORARY SWALE
 - ARROW BOARD

REVISIONS	
NAME	DATE

ILLINOIS DEPARTMENT OF TRANSPORTATION
ILLINOIS ROUTE 22
MAINTENANCE OF TRAFFIC
STAGE II
STA. 12+350 TO STA. 13+000
SCALE IN METERS
HORIZ. (1:500) DRAWN BY: SMP
DATE: 03/11/05 CHECKED BY: SJG