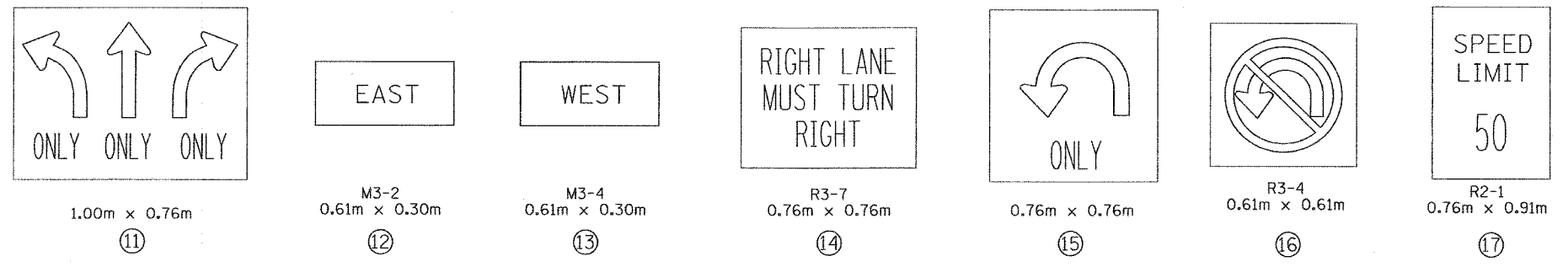
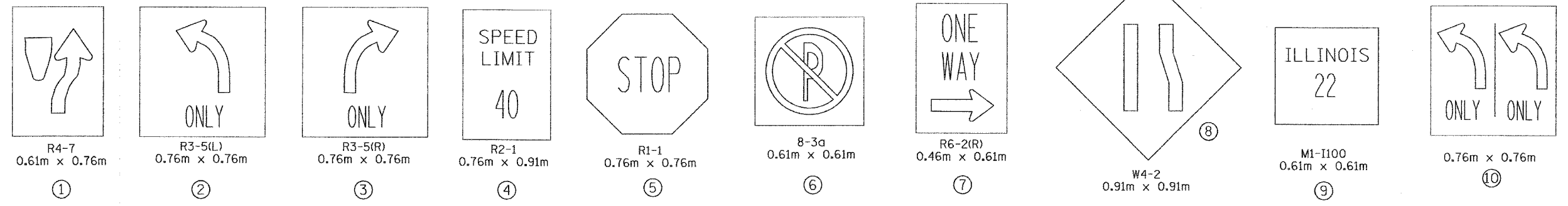
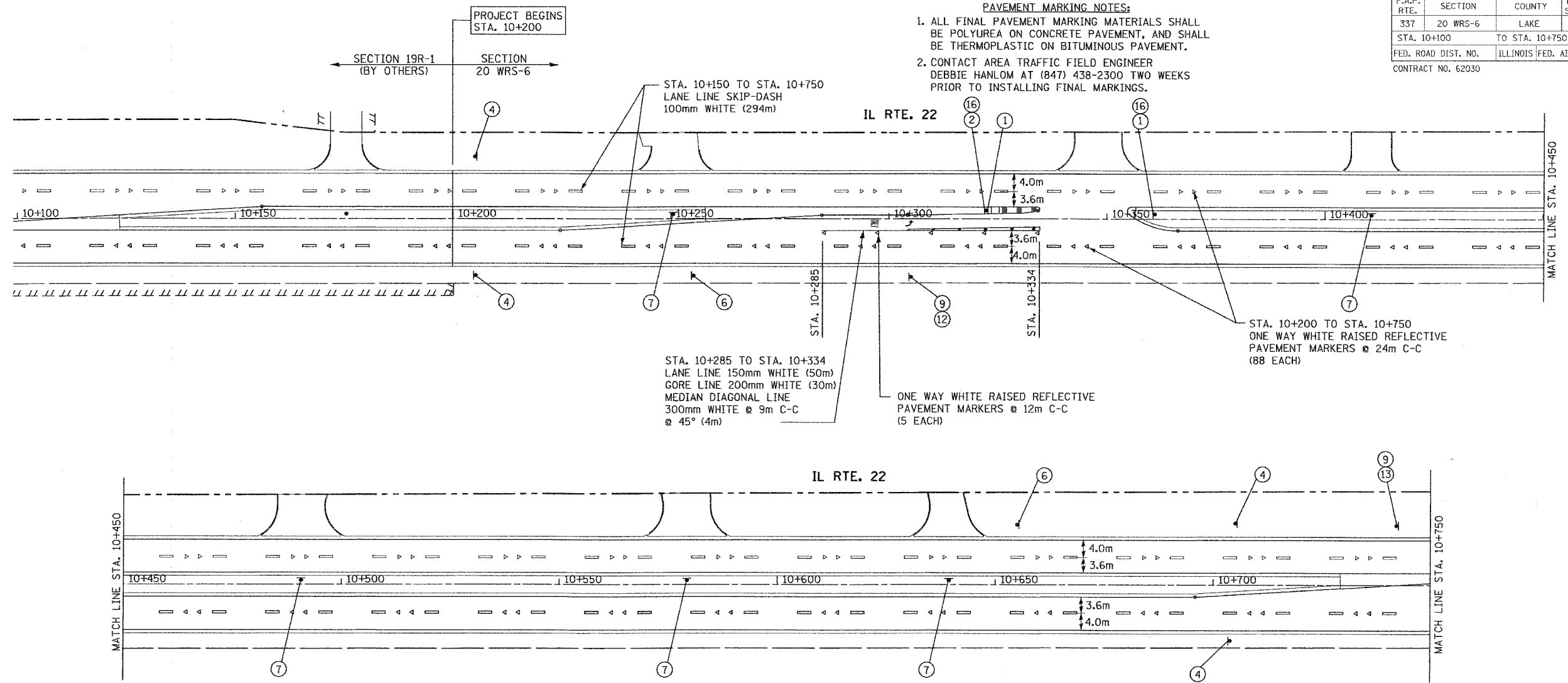


F.A.P. RTE.	SECTION	COUNTY	TOTAL SHEETS	SHEET NO.
337	20 WRS-6	LAKE	38	147
STA. 10+100		TO STA. 10+750		
FED. ROAD DIST. NO.		ILLINOIS FED. AID PROJECT		
CONTRACT NO. 62030				

PAVEMENT MARKING NOTES:
 1. ALL FINAL PAVEMENT MARKING MATERIALS SHALL BE POLYUREA ON CONCRETE PAVEMENT, AND SHALL BE THERMOPLASTIC ON BITUMINOUS PAVEMENT.
 2. CONTACT AREA TRAFFIC FIELD ENGINEER DEBBIE HANLON AT (847) 438-2300 TWO WEEKS PRIOR TO INSTALLING FINAL MARKINGS.



REVISIONS	
NAME	DATE

ILLINOIS DEPARTMENT OF TRANSPORTATION
 ILLINOIS ROUTE 22
 PAVEMENT MARKING PLAN
 AND SIGN PLAN

SCALE IN METERS
 HORIZ. (1:500) DRAWN BY: SMP
 DATE: 03/11/05 CHECKED BY: SJG