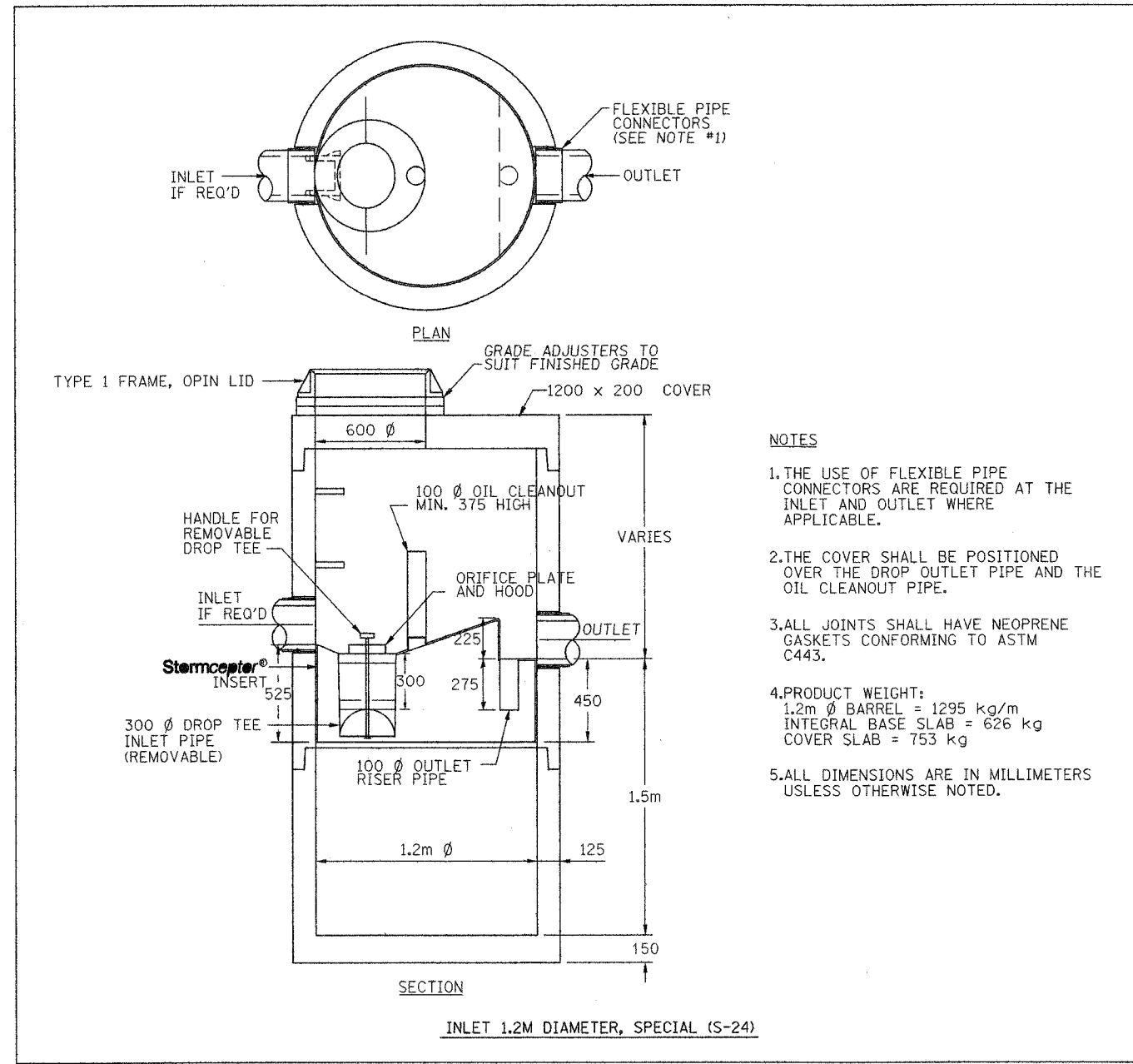
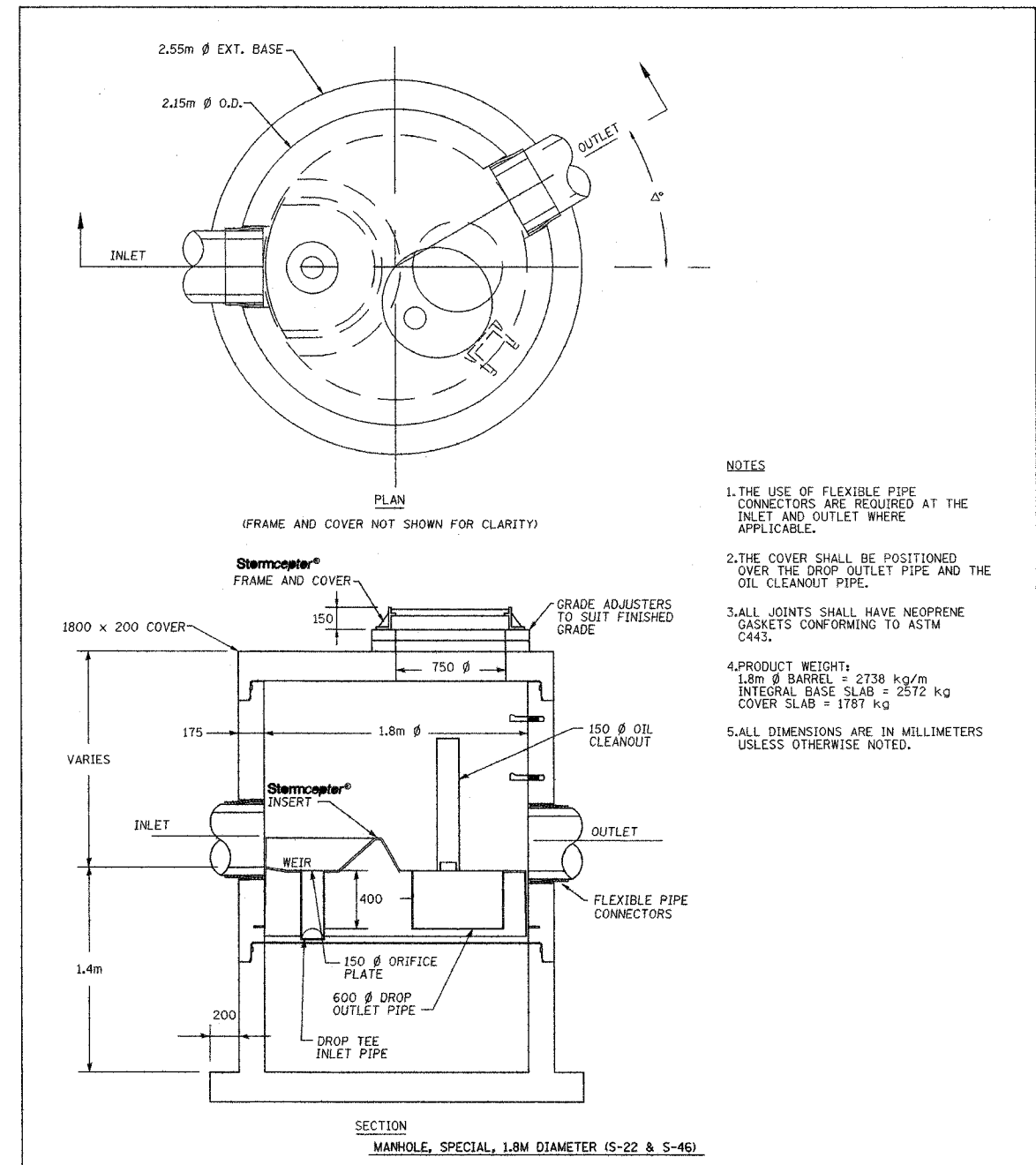


F.A.P. RTE.	SECTION	COUNTY	TOTAL SHEETS	SHEET NO.
337	20 WRS-6	LAKE	3/8	201
STA.	TO STA.			
FED. ROAD DIST. NO.	ILLINOIS	FED. AID PROJECT		
CONTRACT NO. 62030				



- NOTES**
1. THE USE OF FLEXIBLE PIPE CONNECTORS ARE REQUIRED AT THE INLET AND OUTLET WHERE APPLICABLE.
 2. THE COVER SHALL BE POSITIONED OVER THE DROP OUTLET PIPE AND THE OIL CLEANOUT PIPE.
 3. ALL JOINTS SHALL HAVE NEOPRENE GASKETS CONFORMING TO ASTM C443.
 4. PRODUCT WEIGHT:
1.2m Ø BARREL = 1295 kg/m
INTEGRAL BASE SLAB = 626 kg
COVER SLAB = 753 kg
 5. ALL DIMENSIONS ARE IN MILLIMETERS UNLESS OTHERWISE NOTED.



- NOTES**
1. THE USE OF FLEXIBLE PIPE CONNECTORS ARE REQUIRED AT THE INLET AND OUTLET WHERE APPLICABLE.
 2. THE COVER SHALL BE POSITIONED OVER THE DROP OUTLET PIPE AND THE OIL CLEANOUT PIPE.
 3. ALL JOINTS SHALL HAVE NEOPRENE GASKETS CONFORMING TO ASTM C443.
 4. PRODUCT WEIGHT:
1.8m Ø BARREL = 2738 kg/m
INTEGRAL BASE SLAB = 2572 kg
COVER SLAB = 1787 kg
 5. ALL DIMENSIONS ARE IN MILLIMETERS UNLESS OTHERWISE NOTED.

REVISIONS	
NAME	DATE

ILLINOIS DEPARTMENT OF TRANSPORTATION
ILLINOIS ROUTE 22

CONSTRUCTION DETAILS

SCALE NTS
DATE 03/11/05

DRAWN BY SMP
CHECKED BY BDH