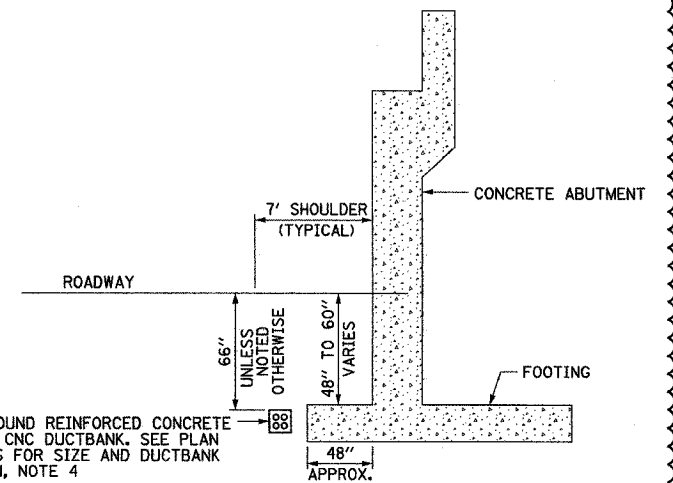


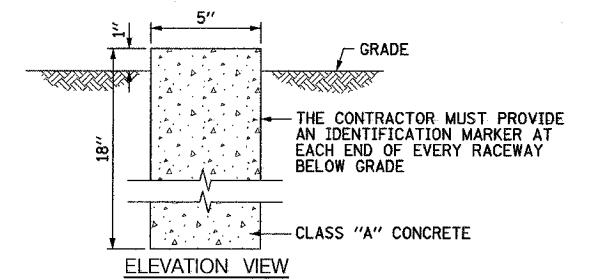
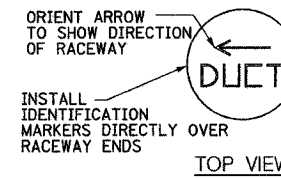
ME-04A DUCTBANK ROUTING AROUND ABUTMENT
 SCALE: 1/4" = 1'-0"
 DETAIL FOR REFERENCE ONLY, NOT INCLUDED IN THIS CONTRACT



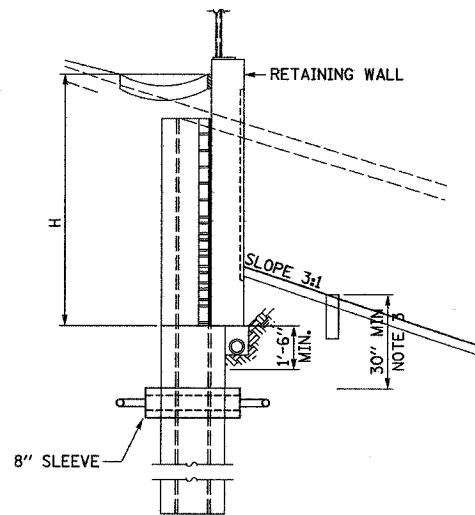
ME-04B DUCTBANK INSTALLATION DETAIL A-A
 NOT TO SCALE
 DETAIL FOR REFERENCE ONLY, NOT INCLUDED IN THIS CONTRACT

WALL	STATION	H
* 68	144+04.53	9'-2"
* 34	1216+84.52	7'-4"
* 39	1251+00.00	5'-2"
* 39	1252+81.08	9'-3"

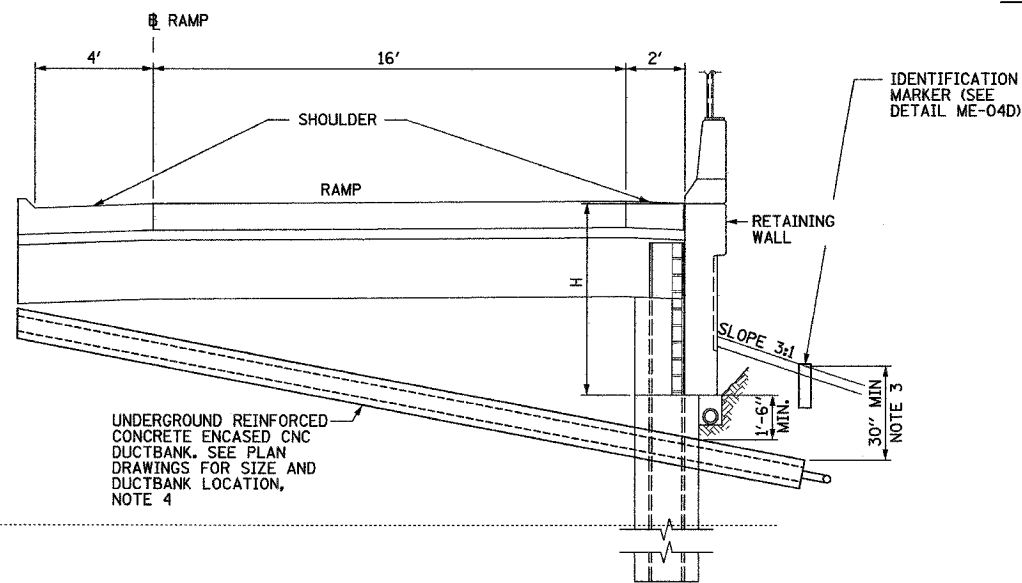
5 INCH DIA. CIRCLE
 1 INCH HIGH LETTERS
 3/4 INCH WIDE LETTERS
 1/16 INCH STROKE WIDTH
 2 1/2 INCH ARROW LENGTH



ME-04D IDENTIFICATION MARKER DETAIL
 SCALE: 3" = 1'-0"



ME-04E CONCRETE ENCASED CNC UNDER WALL 68 INSTALLATION DETAIL
 NOT TO SCALE

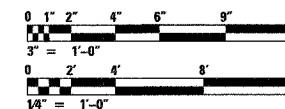


ME-04C TYPICAL CONCRETE ENCASED CNC UNDER RAMP INSTALLATION DETAIL
 NOT TO SCALE
 TYPICAL FOR WALLS 34 & 39

NOTES:

- SEE DRAWINGS ME-01 AND ME-02 FOR ELECTRICAL SYMBOLS AND ABBREVIATIONS.
- SEE PLAN DRAWINGS FOR THE PROPOSED CONDUIT ROUTING.
- DUCTBANK DEPTH MUST BE ADJUSTED SUCH THAT THE TOP OF CONCRETE ENCASEMENT IS INSTALLED UNDER THE BOTTOM OF RETAINING WALL CONCRETE FACING. THE DUCTBANK DEPTH MUST BE 30 INCHES MINIMUM.
- SEE DRAWING ME-11 FOR ELECTRICAL CONCRETE DUCTBANK DETAILS.
- SEE PLAN DRAWINGS FOR ANY DEVIATIONS IN DUCTBANK DEPTH.

17B/ME-04



REVISIONS		ILLINOIS DEPARTMENT OF TRANSPORTATION	
NAME	DATE	F.A.I. 90/94 (DAN RYAN EXPRESSWAY)	
		DUCTBANK INSTALLATION DETAILS UNDER RAMPS AND AROUND ABUTMENTS	
		SCALE: AS SHOWN	DRAWN BY: CJM
		DATE: MARCH 25, 2005	CHECKED BY: WDS
ADDENDUM 1	05/27/05		

3-562.32 PM 5/26/2005