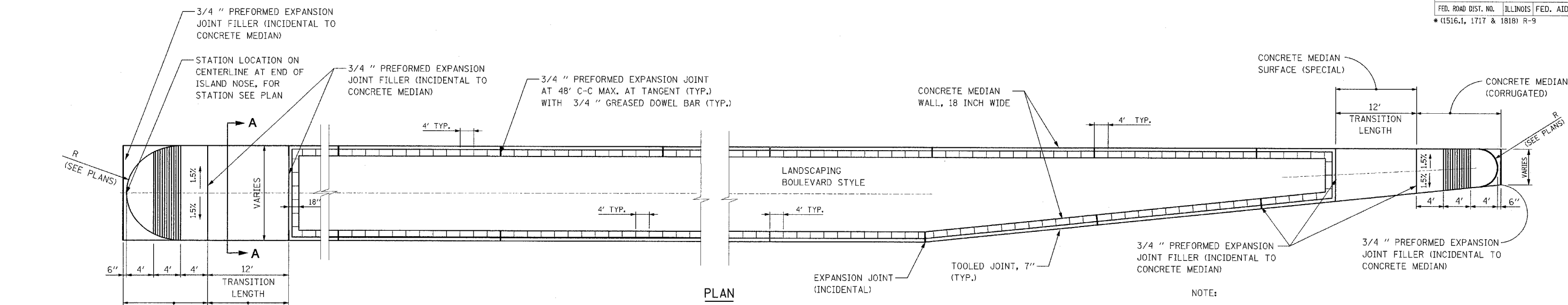
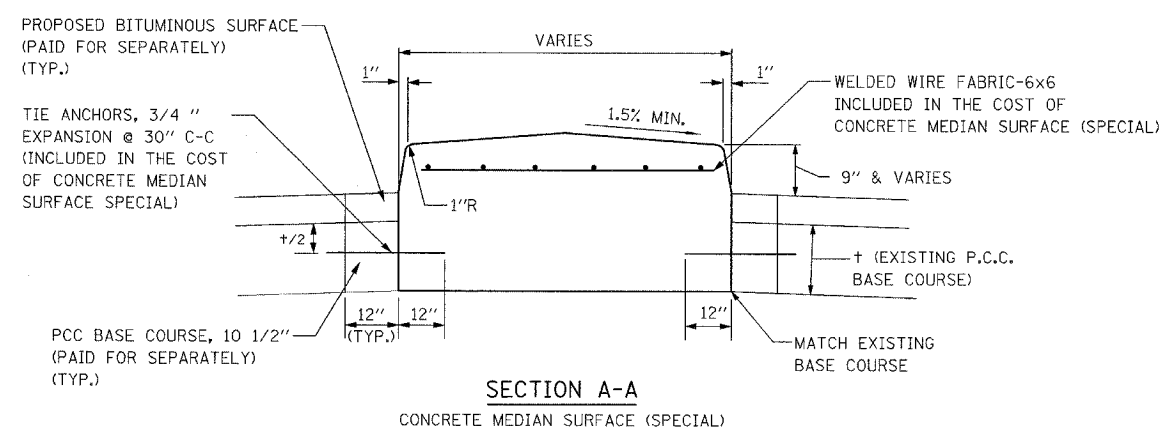
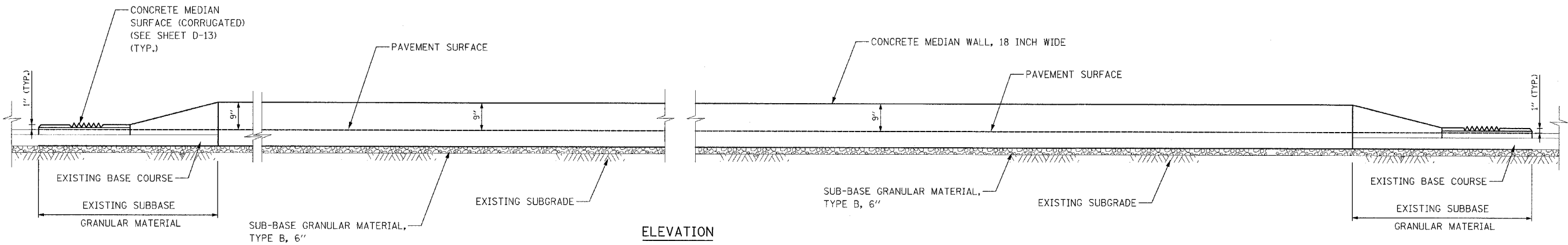


F.A.I. RTE.	SECTION	COUNTY	TOTAL SHEETS	SHEET NO.
94	*	COOK	907	329
STA.	TO STA.			
FED. ROAD DIST. NO.		ILLINOIS FED. AID PROJECT		
*(1516.1, 1717 & 1818) R-9				62695



- NOTE:
- ① ALL JOINTS ARE TOOLED CONTRACTION JOINTS UNLESS OTHERWISE NOTED.
  - ② ALL EXPANSION JOINTS SHALL BE 3/4" AND FULL DEPTH.
  - ③ ALL CONCRETE MEDIAN WALL SURFACES SHALL BE BROOM FINISHED PARALLEL TO THE TOOLED CONTRACTION JOINTS.



REVISIONS	
NAME	DATE
REVISED	05/06/05

ILLINOIS DEPARTMENT OF TRANSPORTATION  
 F.A.I. 94 (DAN RYAN EXPRESSWAY)  
**76TH STREET  
 CONSTRUCTION DETAILS**  
 SCALE: NONE  
 DATE: MARCH 25, 2005  
 DRAWN BY: WHI  
 CHECKED BY: JCM

FILE: L:\6592.02\Cad\Sheets\Revised\7b\05-06-05\659202Def\01Rev\050605.dgn

