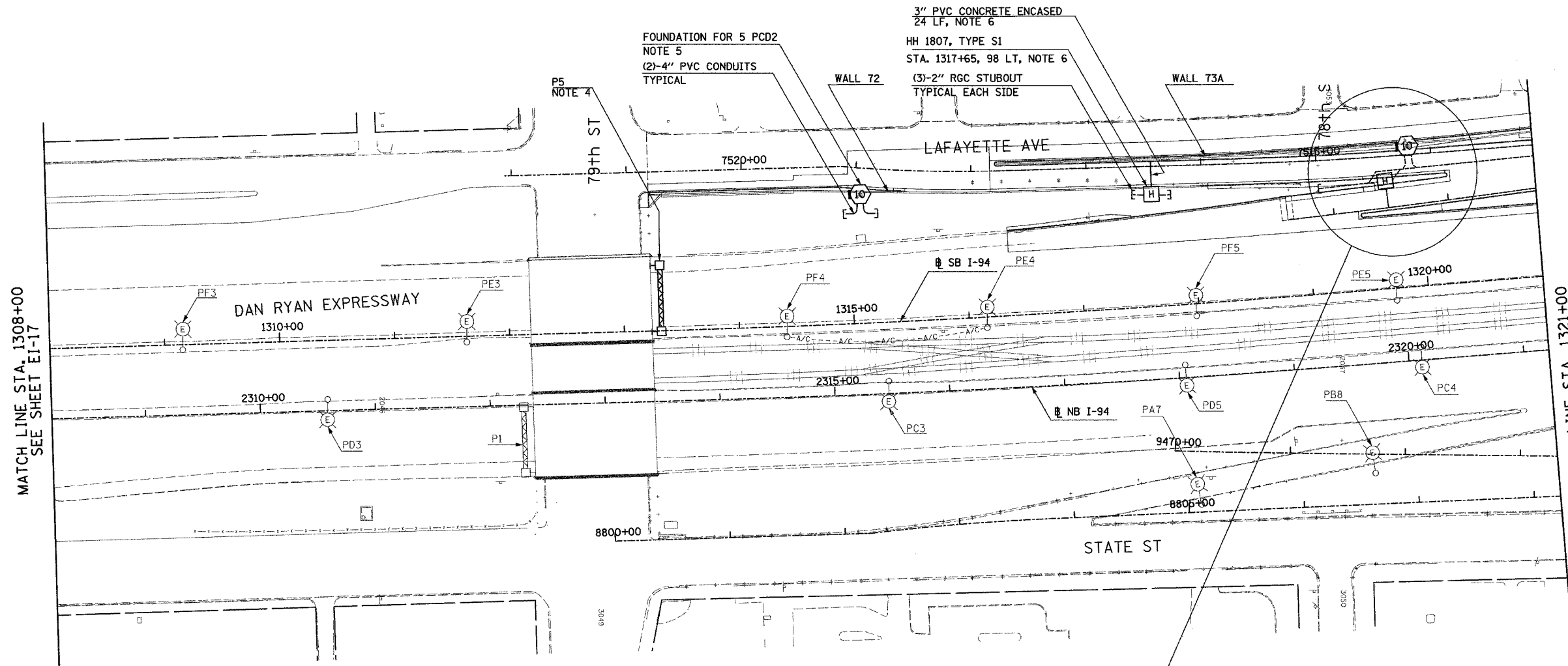


F.A.I. RTE.	SECTION	COUNTY	TOTAL SHEETS	SHEET NO.
94	*	COOK	907	377
STA. 1308+00.00		TO STA. 1321+00.00		
FED. ROAD DIST. NO.		ILLINOIS FED. AID PROJECT		
* (1516, 1, 1717 & 1818) R-9				62695

NOTES:

- SEE DRAWINGS EI-100 AND EI-101 FOR ELECTRICAL SYMBOLS AND ABBREVIATIONS.
- COORDINATE ALL WORK WITH IDOT CONTRACTS 62583 AND 62694.
- UNLESS NOTED OTHERWISE, ALL ITEMS AND WORK SHOWN IN HEAVY LINE WEIGHT ON THIS DRAWING ARE PROPOSED NEW ITEMS AND WORK.
- SIGN STRUCTURE SHALL BE PROVIDED UNDER THIS CONTRACT. SIGN LUMINAIRES, DISCONNECT SWITCH, WIRING AND CONNECTIONS SHALL BE PROVIDED UNDER CONTRACT 62583.
- REFER TO STRUCTURAL DRAWINGS AND EI-104 FOR CONDUIT INSTALLATION DETAILS FOR LIGHT TOWER FOUNDATION MOUNTED ON WALL.
- REFER TO SHEETS EI-106 AND EI-110 FOR DETAILS.
- REFER TO SHEETS EI-102 AND ME-04 FOR DUCTBANK INSTALLATION DETAILS.



MATCH LINE STA. 1308+00
SEE SHEET EI-17

MATCH LINE STA. 1321+00
SEE SHEET EI-19

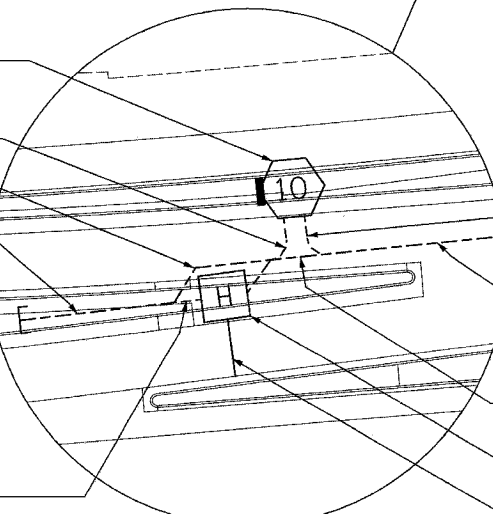
FOUNDATION FOR 5 RAB3
NOTE 5

(2)-4" CNC, CONCRETE ENCASED,
REINFORCED, 25 LF, NOTE 7

(5)-4" CNC CONCRETE ENCASED,
REINFORCED, 34 LF, NOTE 7

(5)-4" CNC AND (3)-2" CNC CONCRETE
ENCASED, REINFORCED, 44 LF, NOTE 7

(3)-2" RGC, CONCRETE ENCASED, REINFORCED,
10 LF, EACH SIDE OF HANDHOLE, NOTE 7



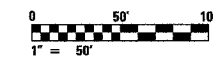
(2)-4" CNC, CONCRETE ENCASED,
REINFORCED, 25 LF, NOTE 7

(5)-4" CNC AND (3)-2" CNC CONCRETE
ENCASED, REINFORCED, 44 LF, NOTE 7

(3)-4" CNC AND (3)-2" CNC, CONCRETE
ENCASED, REINFORCED, 16 LF, NOTE 7

HH 1826, TYPE S1, SPECIAL
STA. 1319+70, 92 LT, NOTE 6

3" PVC CONCRETE ENCASED,
24 LF, NOTE 6



17B/EI-18

REVISIONS	
NAME	DATE
REVISION	5/06/05

ILLINOIS DEPARTMENT OF TRANSPORTATION
F.A.I. 94 (DAN RYAN EXPRESSWAY)

ELECTRICAL INFRASTRUCTURE PLANS
PROPOSED IMPROVEMENTS

SCALE: 1"=50'
DATE: MARCH 25, 2005

DRAWN BY: VG
CHECKED BY: TM

SINGH
SINGH & ASSOCIATES, INC.
CONSULTING ENGINEERS

300 W. ADAMS ST.
CHICAGO, IL 60606
TEL: (312) 629-0240
FAX: (312) 629-8448

5/16/2005 12:35:05 PM