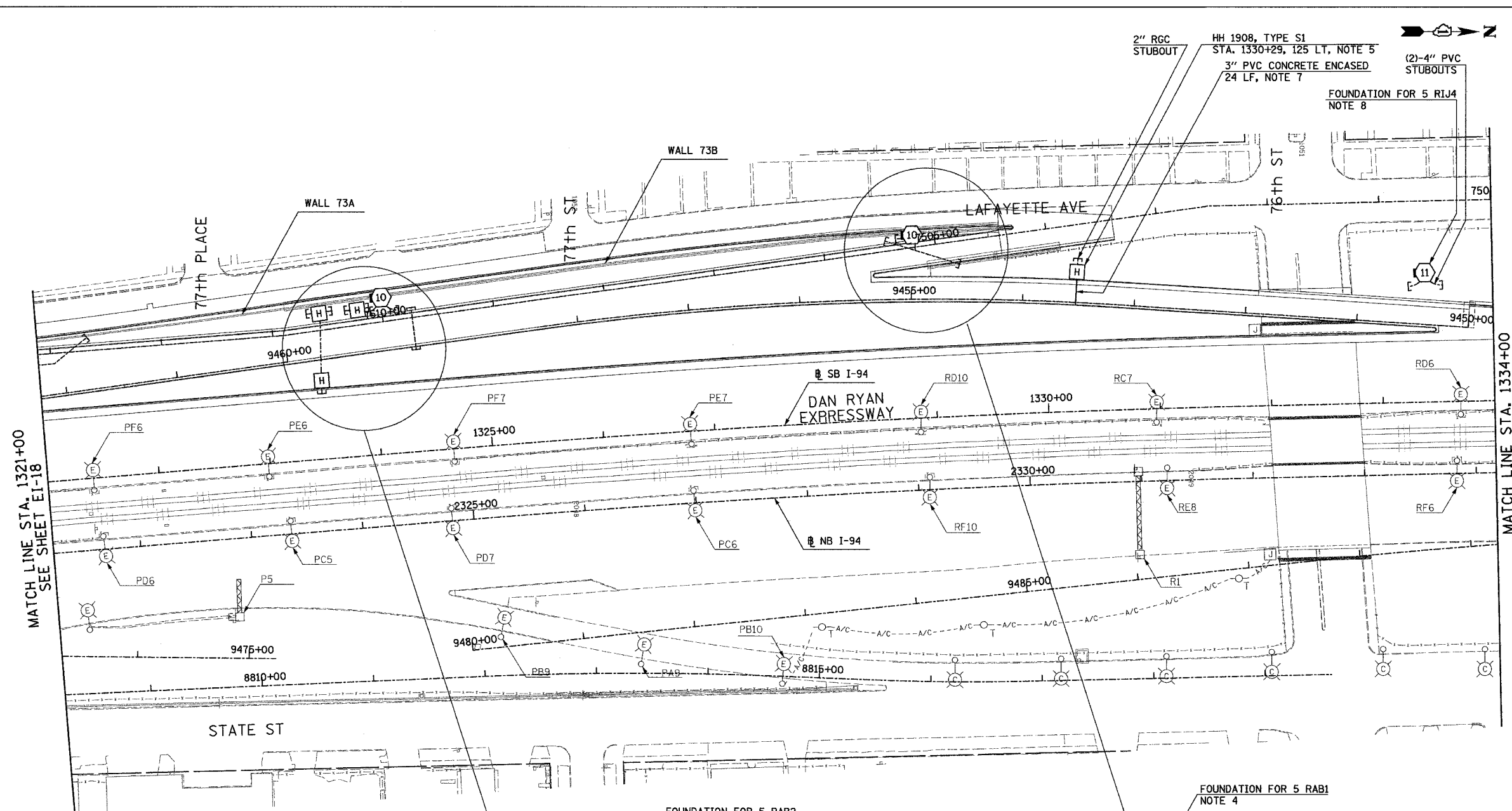


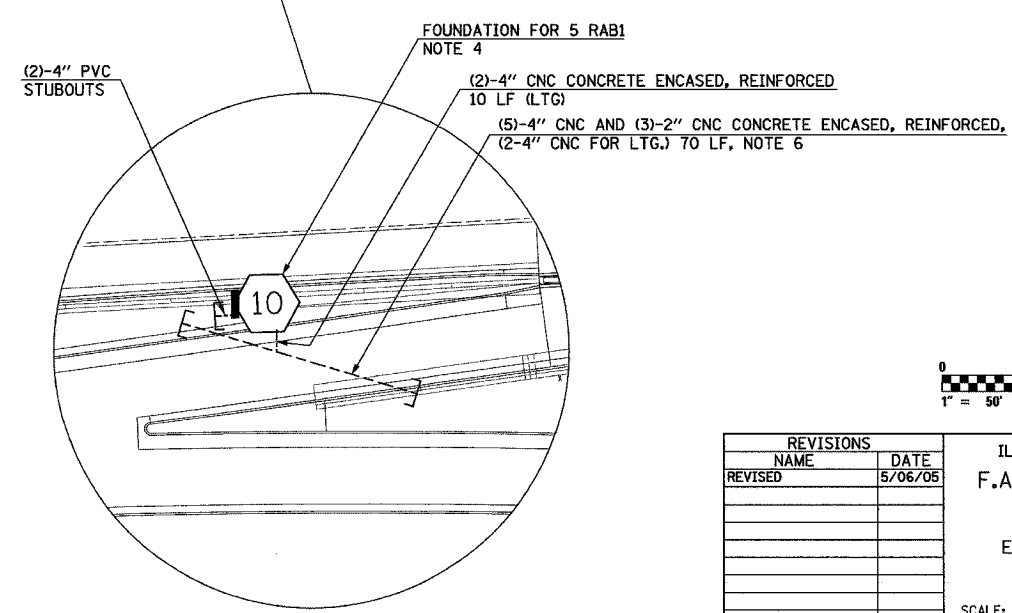
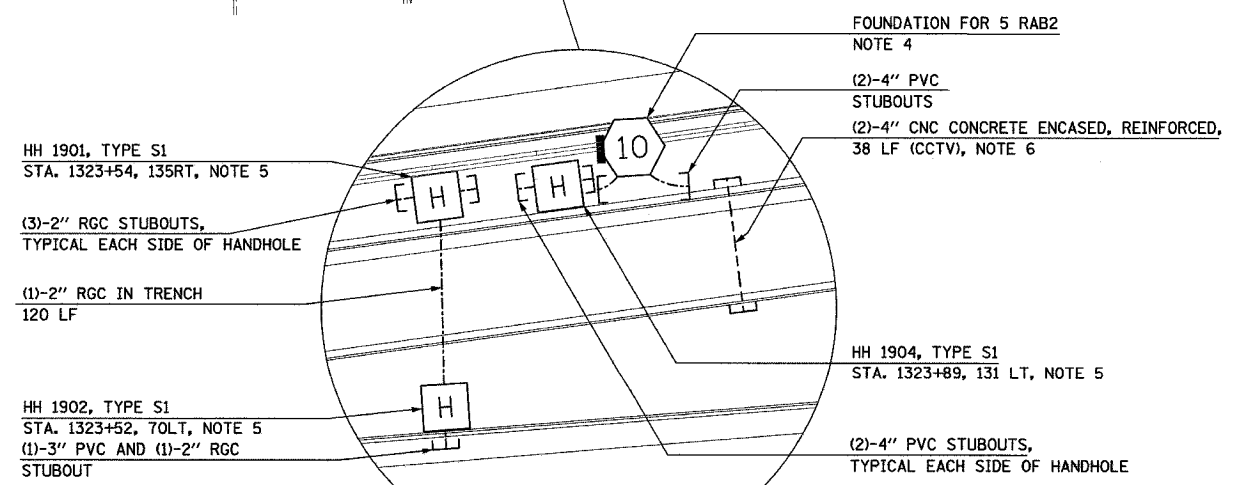
F.A.I. RTE.	SECTION	COUNTY	TOTAL SHEETS	SHEET NO.
94		COOK	907	378
STA. 1321+00.00		TO STA. 1334+00.00		378
FED. ROAD DIST. NO.		ILLINOIS FED. AID PROJECT		62695
(1516, 1717 & 1818) R-9				

- NOTES:**
- SEE DRAWINGS EI-100 AND EI-101 FOR ELECTRICAL SYMBOLS AND ABBREVIATIONS.
 - COORDINATE ALL WORK WITH IDOT CONTRACTS 62583 AND 62694.
 - UNLESS NOTED OTHERWISE, ALL ITEMS AND WORK SHOWN IN HEAVY LINE WEIGHT ON THIS DRAWING ARE PROPOSED NEW ITEMS AND WORK.
 - REFER TO STRUCTURAL DRAWINGS AND EI-104 FOR CONDUIT INSTALLATION DETAILS FOR LIGHT TOWER FOUNDATION MOUNTED ON WALL.
 - REFER TO SHEETS EI-103, EI-106 AND EI-110 FOR HANDHOLE DETAILS.
 - REFER TO SHEETS EI-102 AND ME-04 FOR DUCTBANK INSTALLATION DETAILS.
 - REFER TO SHEETS EI-106 AND EI-110 FOR DETAILS.
 - REFER TO STRUCTURAL DRAWINGS FOR CONDUIT INSTALLATION DETAILS FOR LIGHT TOWER FOUNDATIONS GROUND MOUNTED.



MATCH LINE STA. 1321+00
SEE SHEET EI-18

MATCH LINE STA. 1334+00
SEE SHEET EI-20



SINGH 300 W. ADAMS ST.
CHICAGO, IL 60606
SINGH & ASSOCIATES, INC. TEL: (312) 629-0240
CONSULTING ENGINEERS FAX: (312) 629-8449

REVISIONS		
NO.	NAME	DATE
1	REVISOR	5/06/05



ILLINOIS DEPARTMENT OF TRANSPORTATION
F.A.I. 94 (DAN RYAN EXPRESSWAY)

ELECTRICAL INFRASTRUCTURE PLANS
PROPOSED IMPROVEMENTS

SCALE: 1"=50' DRAWN BY: VG
DATE: MARCH 25, 2005 CHECKED BY: TM

J:\750\94\9402\753B_EI-19-01.dwg 5/6/2005 12:30:24 PM