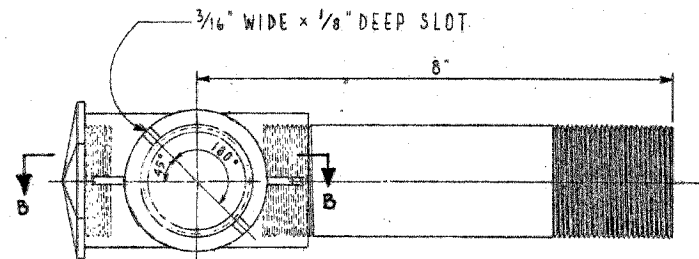
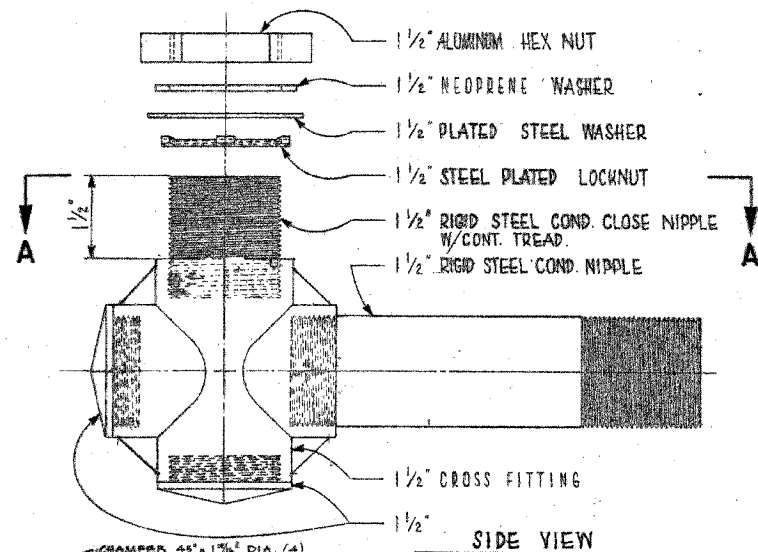


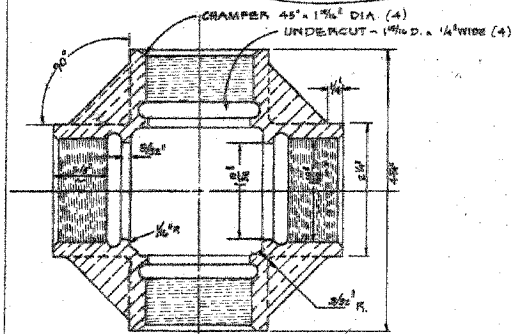
F.A.I. RTE.	SECTION	COUNTY	TOTAL SHEETS	SHEET NO.
94	*	COOK	907	396
STA.		TO STA.		
FED. ROAD DIST. NO.	ILLINOIS	FED. AID PROJECT		
*(1516.1, 1717 & 1818) R-9		62695		



TOP VIEW A-A



SIDE VIEW



SECTION B-B

**TRAFFIC SIGNAL
BRACKET ARM ASSEMBLY**

CITY OF CHICAGO
DEPT. OF STREETS & SANITATION
BUREAU OF ELECTRICITY
DIVISION OF ELEC. ENGINEERING

REVISED	DRAWN	CHECKED	ENGINEER
A 1-23-81	E. OGBURN	D.C. / M.S.	E. BUOSI
B 7-6-80			
C			
D			
E			
F			

741

SCALE: 1/2" = 1" DATE: 8-21-74

DELETE SET SCREWS
ADDED SECTION B-B

REVISIONS		ILLINOIS DEPARTMENT OF TRANSPORTATION F.A.I. 94 (DAN RYAN EXPRESSWAY) CITY OF CHICAGO BUREAU OF ELECTRICITY STANDARDS
NAME	DATE	
		SCALE: DATE: MARCH 25, 2005
REVISED	04/15/05	DRAWN BY: REW CHECKED BY: WHI