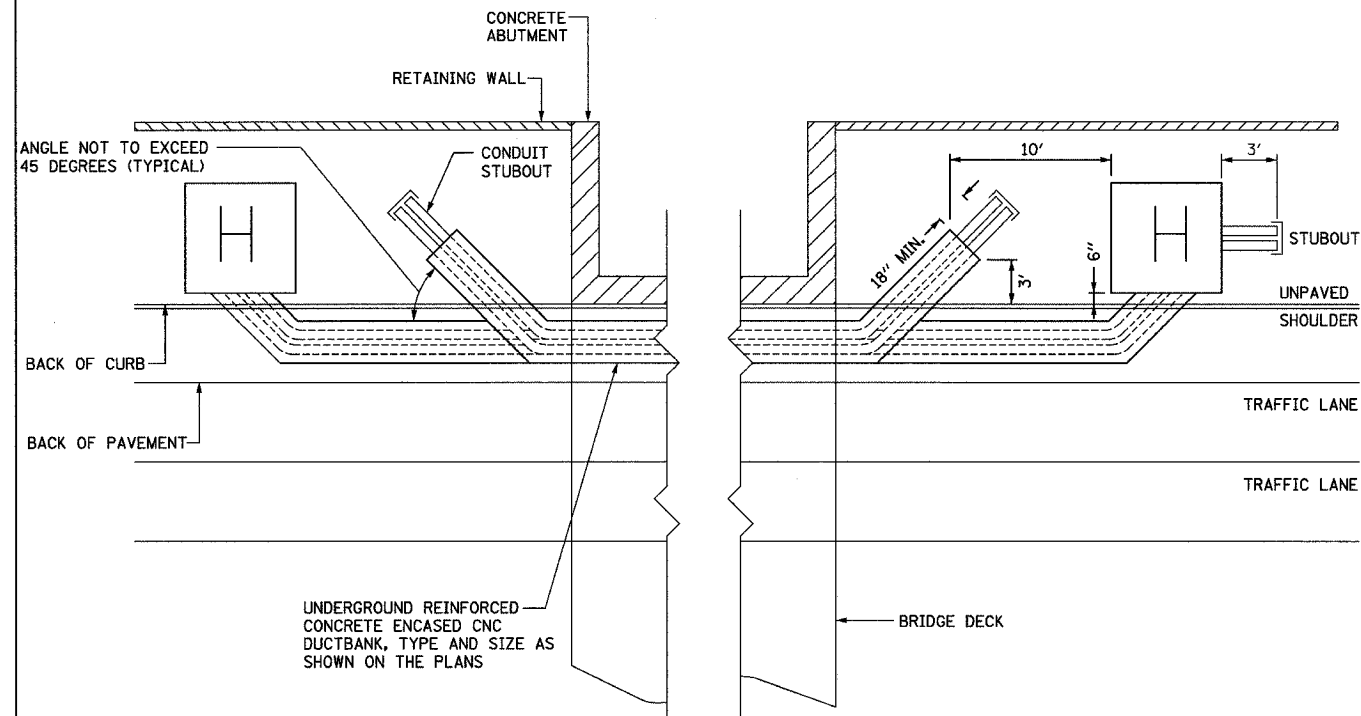


F.A.I. RTE.	SECTION	COUNTY	TOTAL SHEETS	SHEET NO.
94		COOK	907	413
STA. --- TO STA. ---		FED. ROAD DIST. NO. 1 ILLINOIS FED. AID PROJECT		
		• (1516, 1, 1717 & 1818) R-9		

62695

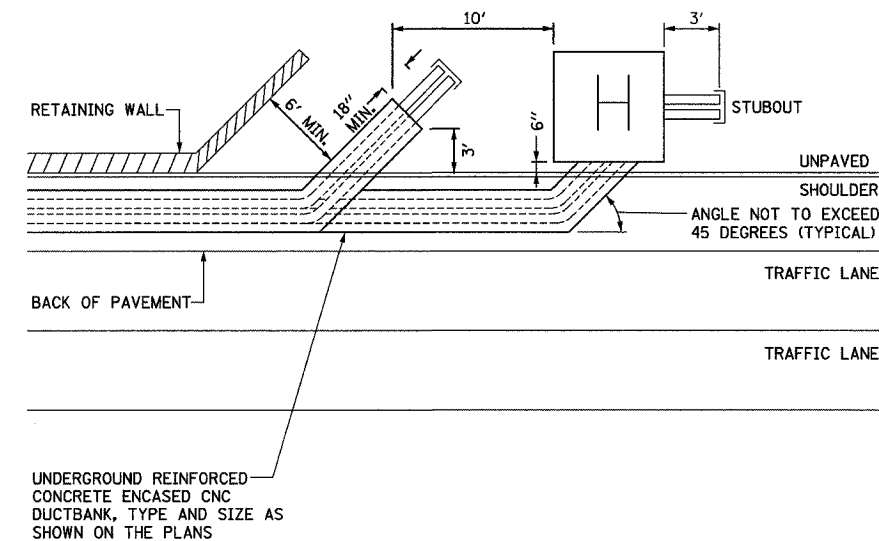
NOTES:

- SEE DRAWINGS EI-100 AND EI-101 FOR ELECTRICAL SYMBOLS AND ABBREVIATIONS.
- DIMENSIONS SHOWN ON THIS DRAWING ARE TYPICAL FOR MOST INSTALLATIONS. DIMENSIONS AND/OR STATIONS SPECIFIED ON THE PLANS OR HANDHOLE DETAIL DRAWINGS SHALL SUPERCEDE THE DIMENSIONS SHOWN ON THIS DRAWING.
- SEE DRAWING EI-102 FOR CONDUIT DUCTBANK DETAILS.
- STUBOUTS TO EXTEND 3' FROM HANDHOLE AND BE CAPPED. QUANTITY AND SIZE SHALL BE SHOWN ON PLANS. STUBOUTS SHALL BE INCLUDED IN HANDHOLE PAY ITEM AND SHALL NOT BE PAID SEPARATELY.



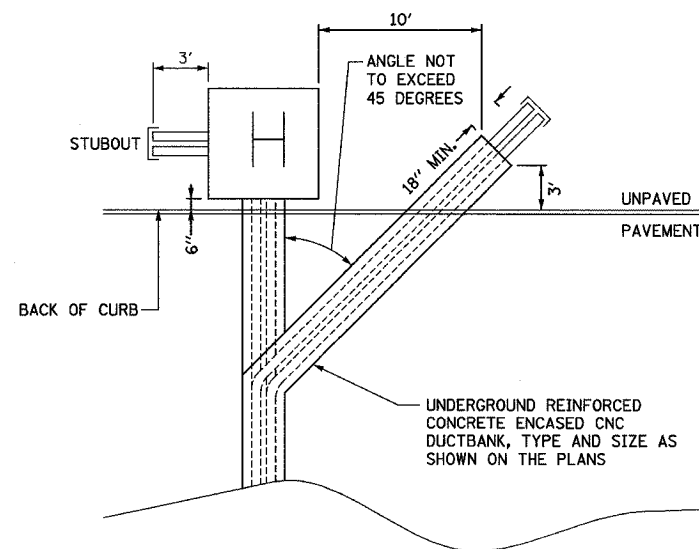
DUCTBANK INSTALLATION DETAIL UNDER BRIDGE OVERPASS

NOT TO SCALE



DUCTBANK INSTALLATION DETAIL ALONG RETAINING WALL

NOT TO SCALE



DUCTBANK INSTALLATION DETAIL UNDER PAVEMENT

NOT TO SCALE

17B/EI-103

REVISIONS	
NAME	DATE

ILLINOIS DEPARTMENT OF TRANSPORTATION
F.A.I. 90/94 (DAN RYAN EXPRESSWAY)

**ELECTRICAL DUCTBANK DETAILS
IN SHOULDER AND UNDER PAVEMENT**

SCALE: NOT TO SCALE DRAWN BY: BHP
DATE: FEB. 25, 2005 CHECKED BY: BMW