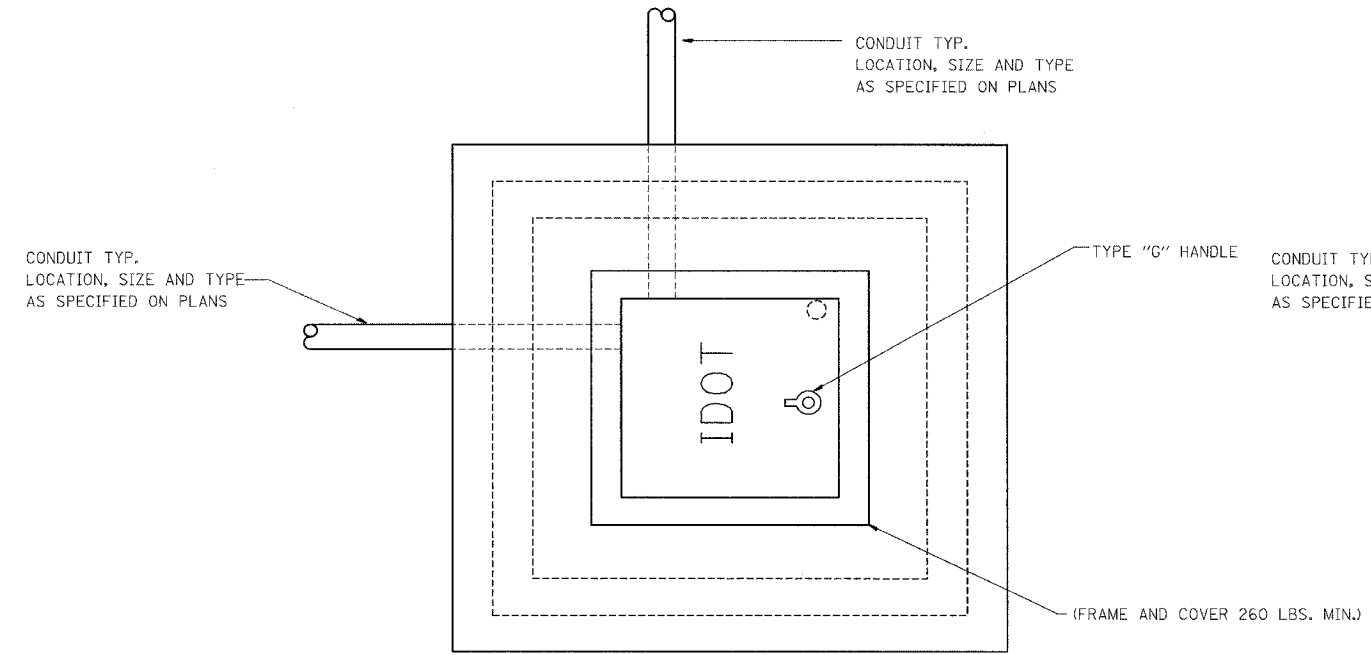
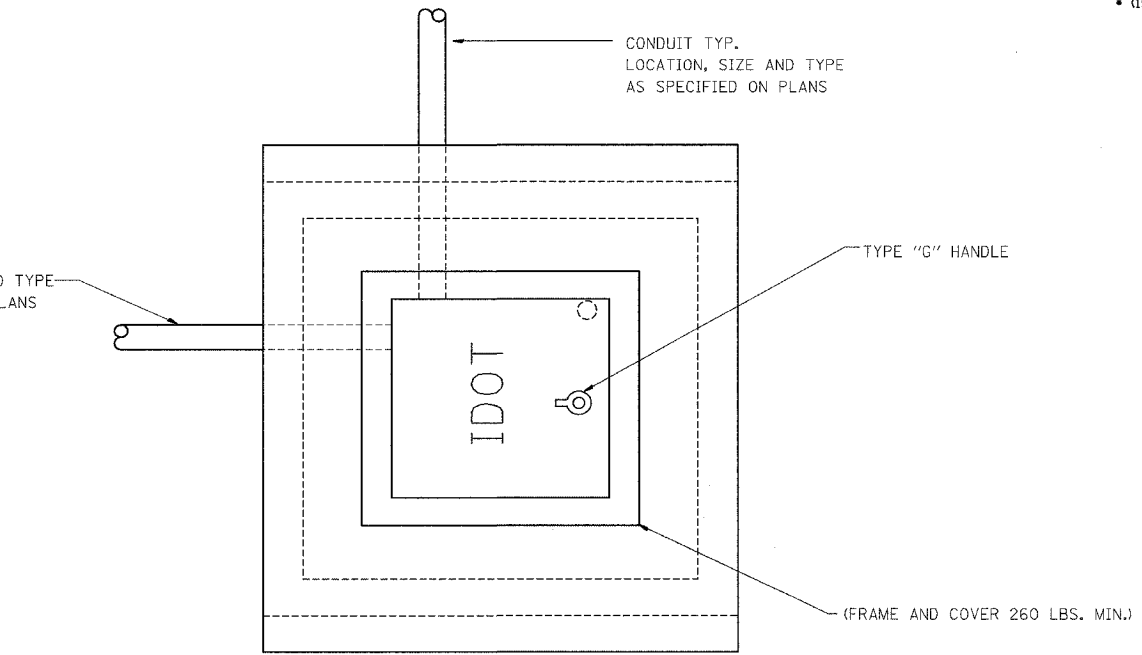


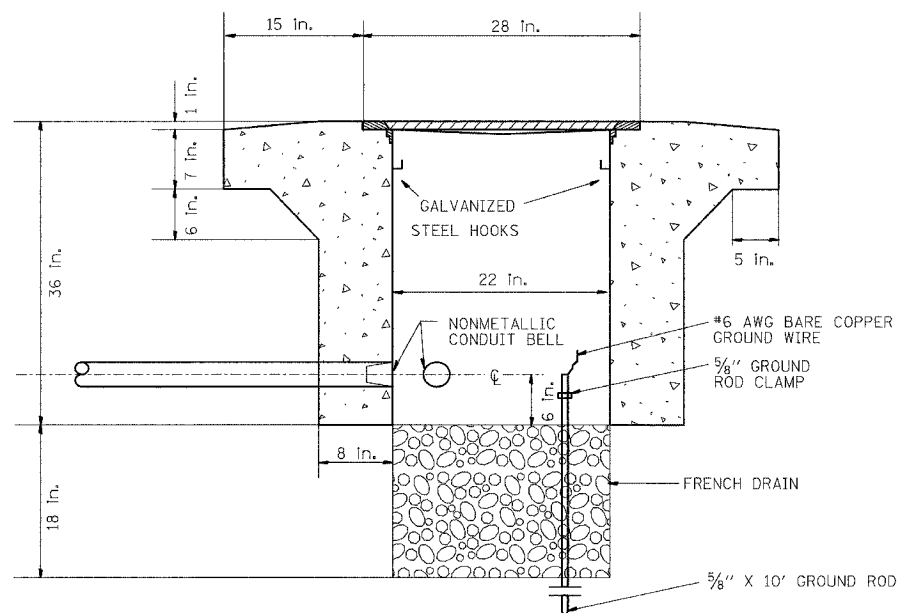
F.A.I. RTE.	SECTION	COUNTY	TOTAL SHEETS	SHEET NO.
94	*	COOK	407	415
STA. --- TO STA. ---		FED. ROAD DIST. NO. 1 ILLINOIS FED. AID PROJECT		
• (1516, 1, 1717 & 1818) R-9		62695		



PLAN

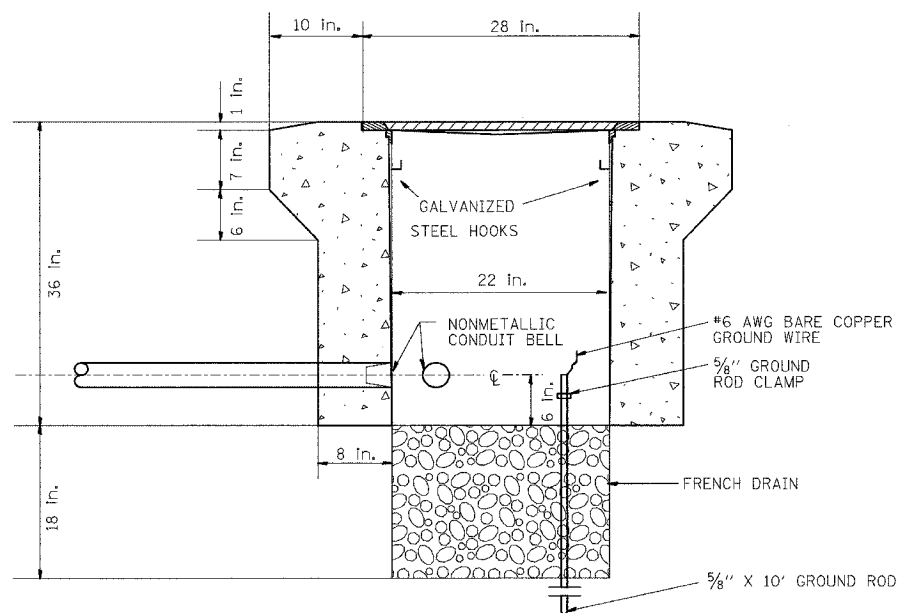


PLAN



ELEVATION

PC CONCRETE - HEAVY DUTY HANDHOLE



ELEVATION

PC CONCRETE - HEAVY DUTY HANDHOLE (SPECIAL)

**NOTE:**  
ALL METALLIC ELEMENTS SHALL BE GROUND IN ACCORDANCE WITH THE NATIONAL ELECTRIC CODE (NEC), SECTION 250, GROUNDING. METAL COVERS AND OTHER EXPOSED CONDUCTIVE SURFACES SHALL BE BONDED IN ACCORDANCE WITH NEC ARTICLE 250.96 (A).

**Edwards AND Kelcey**  
ONE NORTH FRANKLIN CHICAGO, IL 60606  
PHONE: (312) 251-3000  
FAX: (312) 251-3015  
WEB: WWW.EKCORP.COM

REVISIONS	
NAME	DATE

ILLINOIS DEPARTMENT OF TRANSPORTATION  
F.A.I. 90/94 (DAN RYAN EXPRESSWAY)  
PC CONCRETE - HEAVY DUTY HANDHOLE  
DETAIL (TYPE S1)  
SCALE: NTS  
DATE: FEB. 25, 2005  
DRAWN BY: CJH  
CHECKED BY: MJL

17B/EI-106

3/24/2005 11:03:03 AM