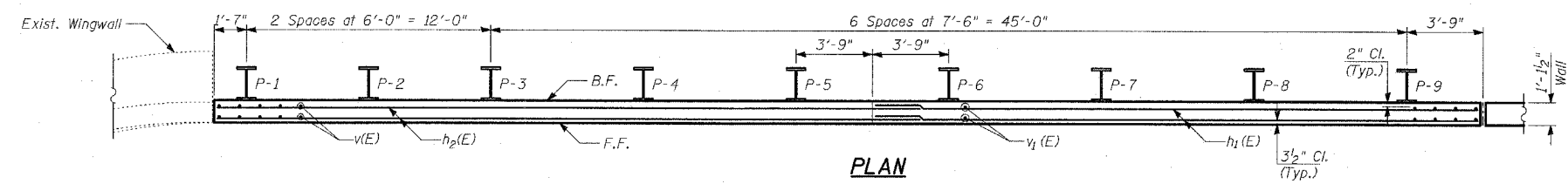
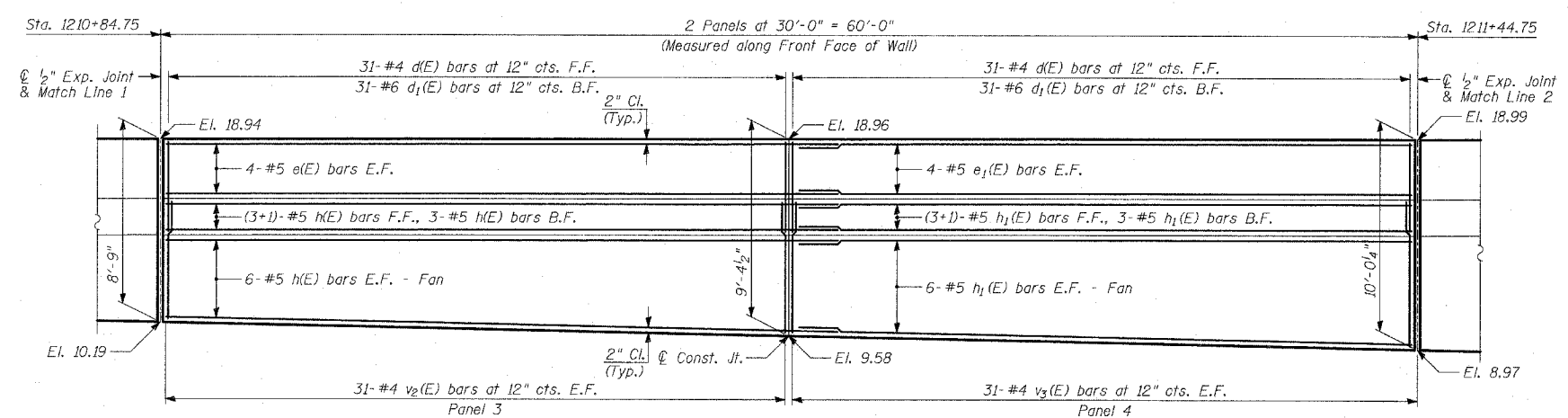


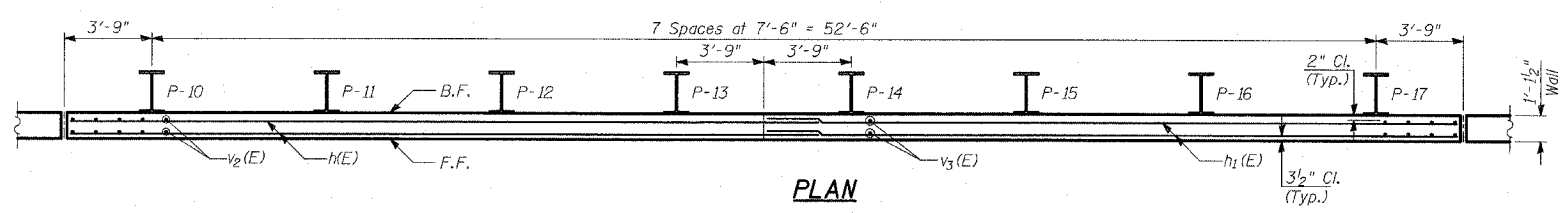
ELEVATION



PLAN



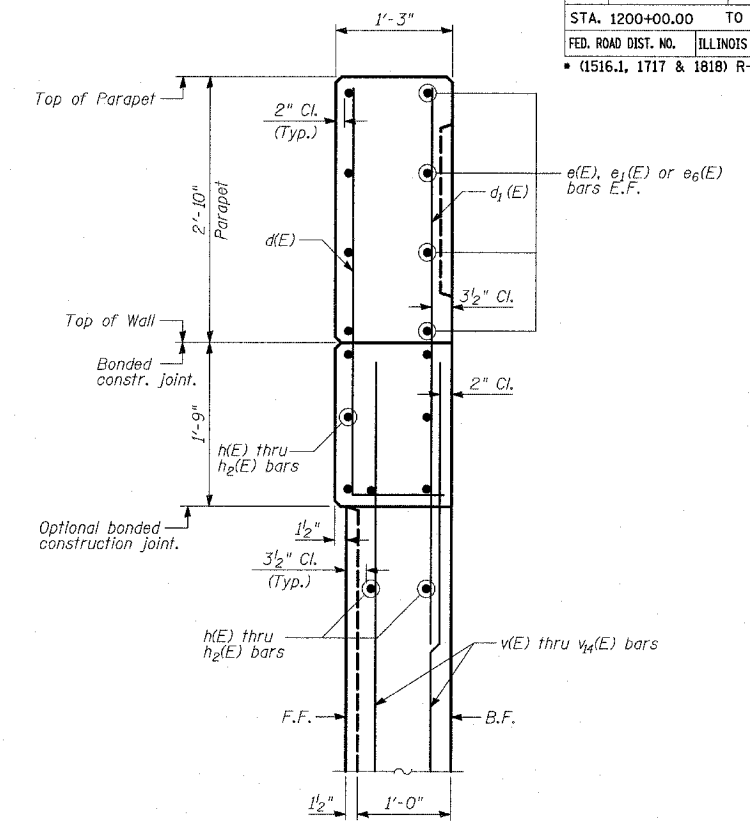
ELEVATION



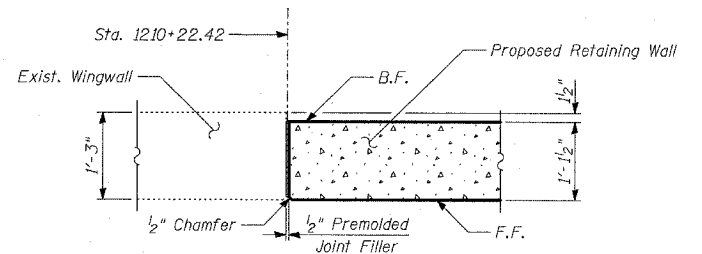
PLAN

- NOTES:**
1. B.F. - denotes Back Face.
 2. E.F. - denotes Each Face.
 3. F.F. - denotes Front Face.
 4. Work this Sheet with Sheets 9 thru 13 of 20.
 5. Pile spacing measured along front face of wall.
 6. For Lap Splices, see Sheet 10 of 20.

TYLIN INTERNATIONAL



FLUTED PARAPET DETAIL
(Sta. 1210+22.42 to Sta. 1214+74.75)



PLAN
PROPOSED RETAINING WALL AT EXISTING WALL

REVISIONS	
NAME	DATE

ILLINOIS DEPARTMENT OF TRANSPORTATION
F.A.I. 94 (DAN RYAN EXPRESSWAY)
RETAINING WALL ALONG LAFAYETTE AVE.
EXIT RAMP TO 95TH ST.
WALL 34 - PLAN AND ELEVATION
STA. 1210+22.42 TO STA. 1211+44.75
 S.N. 016-W946
 SCALE: N.T.S.
 DATE: MARCH 25, 2005
 DESIGNED BY: MI, DJR
 DRAWN BY: DJR, TB
 CHECKED BY: TD, MI