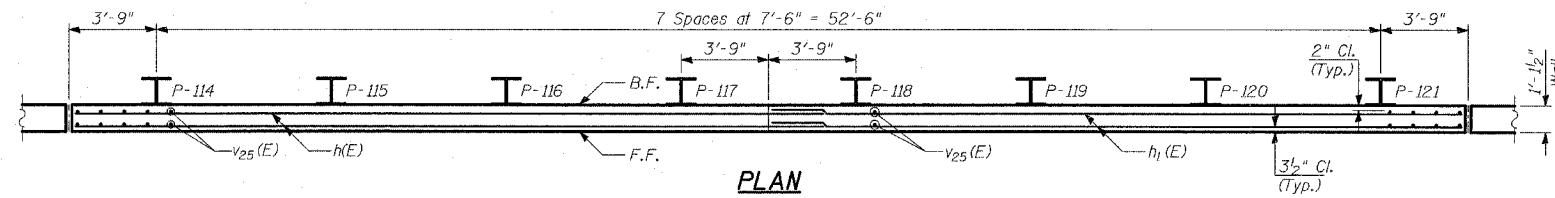
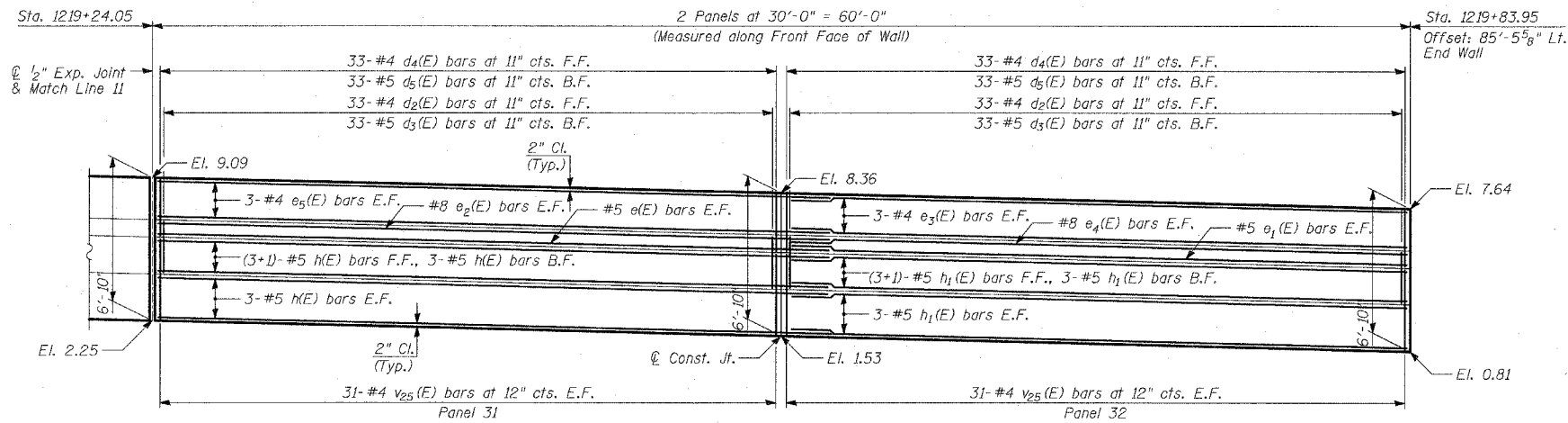


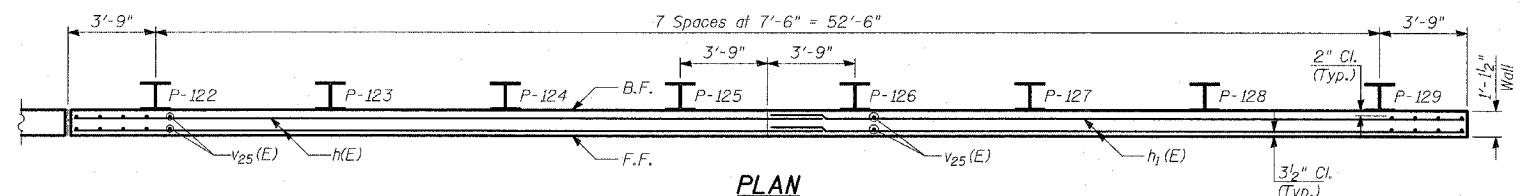
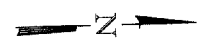
ELEVATION



PLAN



ELEVATION



PLAN

NOTES:

1. B.F. - denotes Back Face.
2. E.F. - denotes Each Face.
3. F.F. - denotes Front Face.
4. Work this Sheet with Sheets 9 thru 13 of 20.
5. Pile spacing measured along front face of wall.
6. For Lap Splines, see Sheet 10 of 20.

TYLIN INTERNATIONAL

REVISIONS	
NAME	DATE

ILLINOIS DEPARTMENT OF TRANSPORTATION
 F.A.I. 94 (DAN RYAN EXPRESSWAY)
 RETAINING WALL ALONG LAFAYETTE AVE.
 EXIT RAMP TO 95TH ST.
 WALL 34 - PLAN AND ELEVATION
 STA. 1218+64.15 TO STA. 1219+83.95
 S.N. 016-W946 DESIGNED BY: MI, DJR
 SCALE: N.T.S. DRAWN BY: DJR, TB
 DATE: MARCH 25, 2005 CHECKED BY: TD, MI