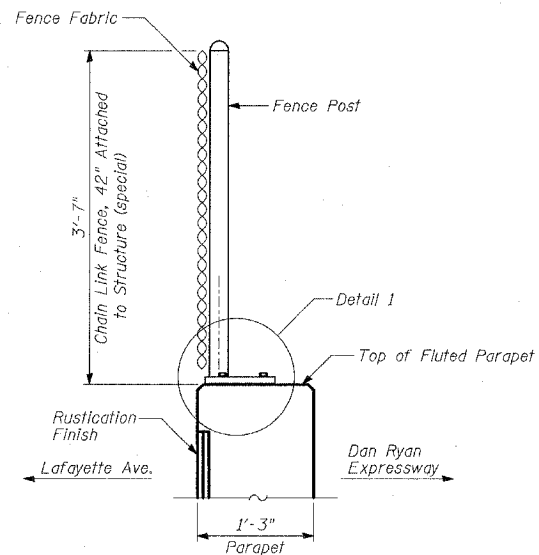
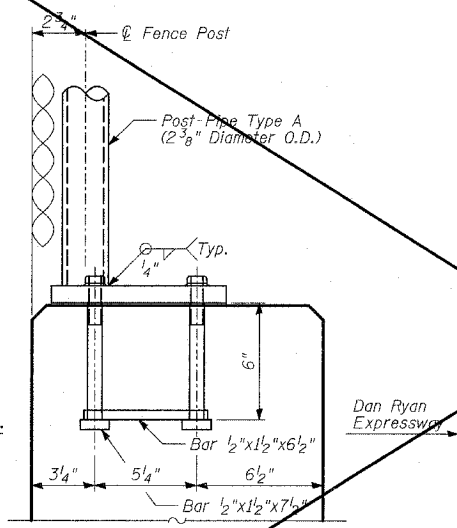


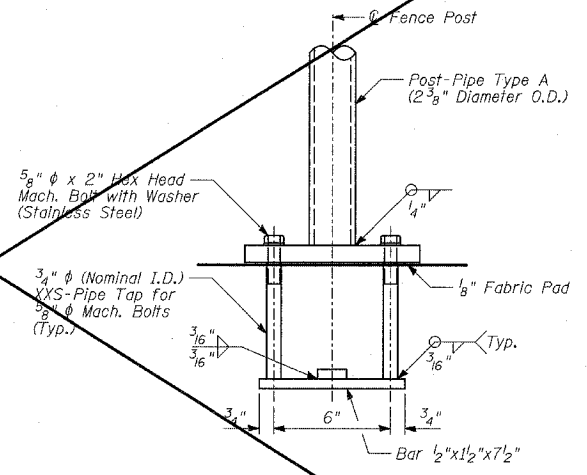
**BACK FACE ELEVATION - TOP OF RETAINING WALLS
FLUTED PARAPET AND CHAIN LINK FENCE**



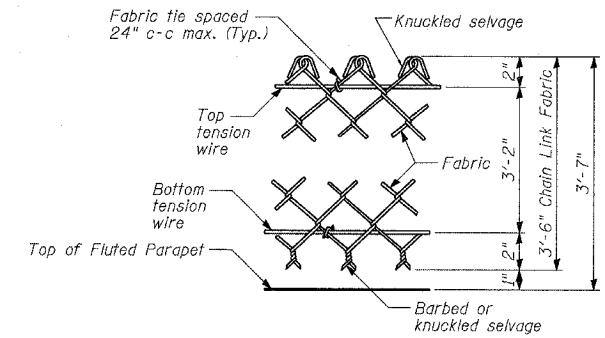
SECTION A-A



DETAIL 1



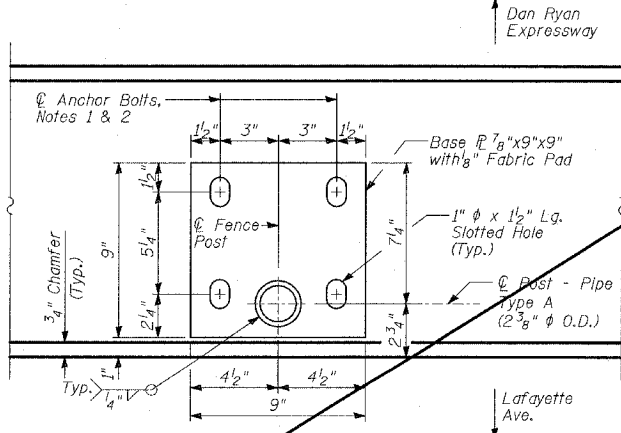
DETAIL 2



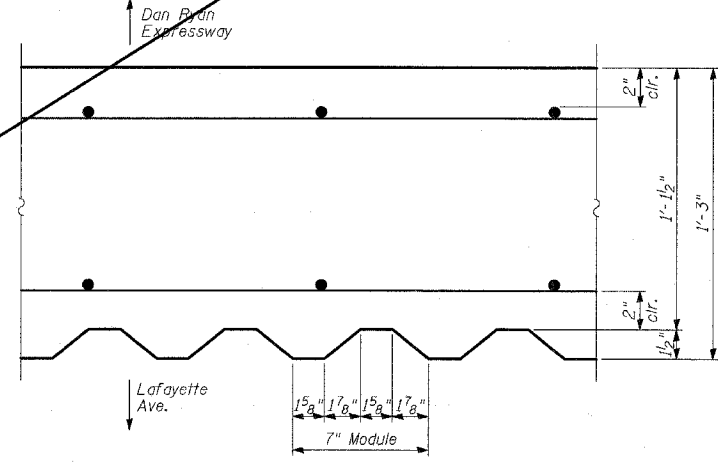
DETAIL 3

BILL OF MATERIAL

| ITEM | UNIT | TOTAL |
|---|------|-------|
| Chain Link Fence, 42" Attached to Structure (Special) | FOOT | 555 |



**SECTION B-B
BASE PLATE PLAN**



SECTION C-C

NOTES:

- In lieu of the cast-in-place anchor bolt assembly shown, the Contractor has the option of drilling and epoxy grouting 3/8" diameter anchor rods with 1/4" diameter washers. The Contractor shall use the capsule or the adhesive cartridge type anchor rods that have been previously tested and given prior approval by the Department. The Contractor shall install these anchor rods in pre-drilled holes according to the manufacturer's recommendations and procedures. The capsule or adhesive cartridge shall be sealed with pre-measured amounts of adhesive chemical. Anchor rod threading to be peened after nuts are installed.
- For additional chain link details, see Std. 664001.

REVISIONS

| NAME | DATE |
|---------|----------|
| | |
| | |
| | |
| | |
| | |
| | |
| | |
| REVISOR | 04/15/05 |

ILLINOIS DEPARTMENT OF TRANSPORTATION
**F.A.I. 94 (DAN RYAN EXPRESSWAY)
 RETAINING WALL ALONG LAFAYETTE AVE.
 89TH ST. TO 88TH ST.
 WALL 38 - CHAIN LINK FENCE, 42"
 ATTACHED TO STRUCTURE (SPECIAL)**
 S.N. 016-W950
 SCALE: N.T.S.
 DATE: MARCH 25, 2005

DESIGNED BY: MI, DJR
 DRAWN BY: DJR
 CHECKED BY: TD, MI