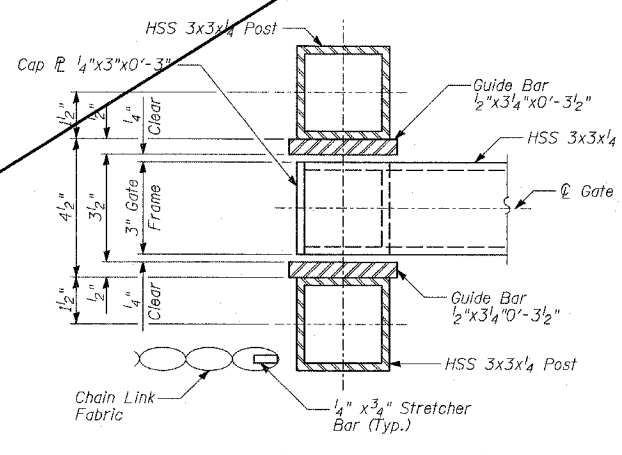
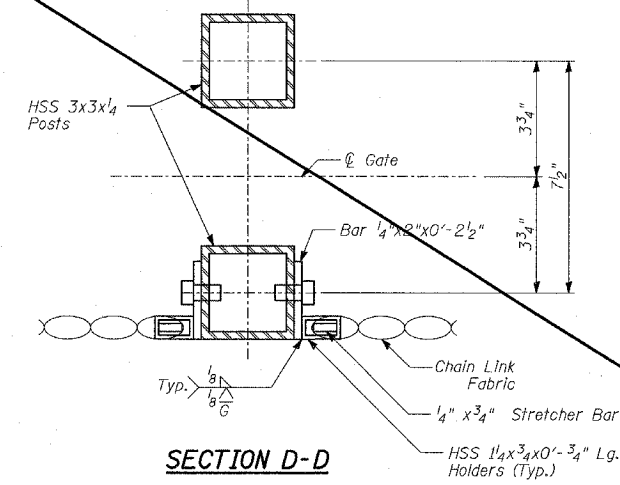


ANCHOR BOLT DETAILS

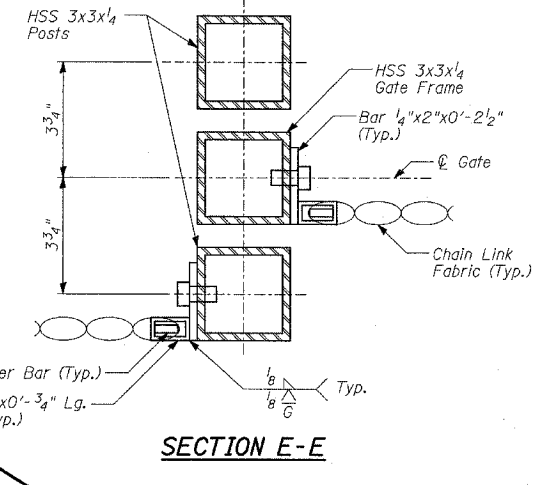
In lieu of the cast-in-place anchor bolt assembly shown, the Contractor has the option of drilling and epoxy grouting 3/8" diameter anchor rods with 1/4" diameter washers. The Contractor shall use the capsule or the adhesive cartridge type anchor rods that have been previously tested and given prior approval by the Department. The Contractor shall install these anchor rods in pre-drilled holes according to the manufacturer's recommendations and procedures. The capsule or adhesive cartridge shall be sealed with pre-measured amounts of adhesive chemical. Anchor rod threading to be peened after nuts are installed.



SECTION B-B



SECTION D-D



SECTION E-E

NOTES:  
1. For Notes See Sheet 17 of 25.  
2. For Anchor Bolt locations, see Details 1, 2 & 3 on Sheet 17 of 25.

| REVISIONS |      |
|-----------|------|
| NAME      | DATE |
|           |      |
|           |      |
|           |      |
|           |      |
|           |      |
|           |      |
|           |      |
|           |      |
|           |      |

ILLINOIS DEPARTMENT OF TRANSPORTATION  
F.A.I. 94 (DAN RYAN EXPRESSWAY)  
RETAINING WALL ALONG LAFAYETTE AVE.  
77TH PL. TO 78TH ST.  
WALL 73B  
GATE SECTIONS  
S.N. 016-W973  
SCALE: N.T.S.  
DATE: MARCH 25, 2005  
DESIGNED BY: MI, DJR  
DRAWN BY: DJR  
CHECKED BY: TD, MI

SECTION A-A