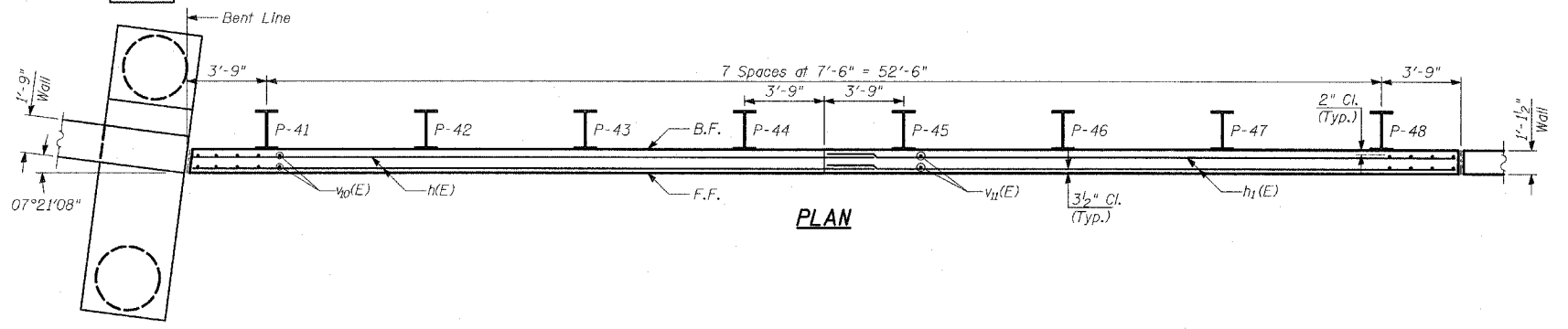
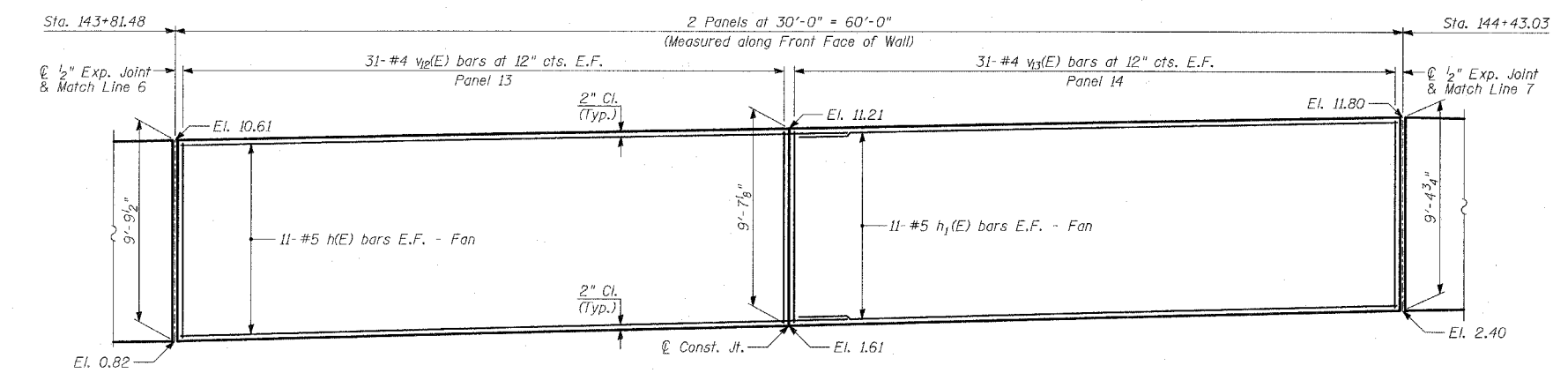


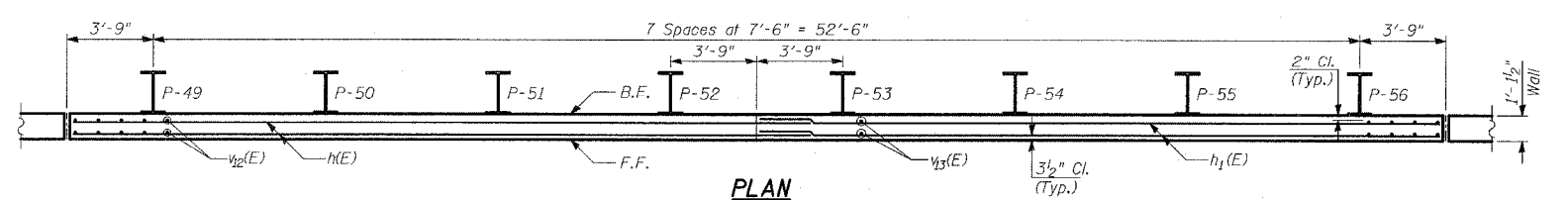
ELEVATION



PLAN



ELEVATION



PLAN

- NOTES:**
1. B.F. - denotes Back Face.
 2. E.F. - denotes Each Face.
 3. F.F. - denotes Front Face.
 4. Work this Sheet with Sheets 7, 11 and 12 of 17.
 5. Pile spacing measured along front face of wall.
 6. For Lap Splices, see Sheet 7 of 17.

TYLIN INTERNATIONAL

REVISIONS	
NAME	DATE

ILLINOIS DEPARTMENT OF TRANSPORTATION
 F.A.I. 94 (DAN RYAN EXPRESSWAY)
 RETAINING WALL ALONG LAFAYETTE AVE.
 AT 97TH ST.
 WALL 68 - PLAN AND ELEVATION
 STA. 143+20.00 TO STA. 144+43.03
 S.N. 016-W967 DESIGNED BY: MI, DJR
 SCALE: N.T.S. DRAWN BY: DJR, MAF
 DATE: MARCH 25, 2005 CHECKED BY: TD, MI

A:02373.ctb 03/29/2005 03:59:42 PM