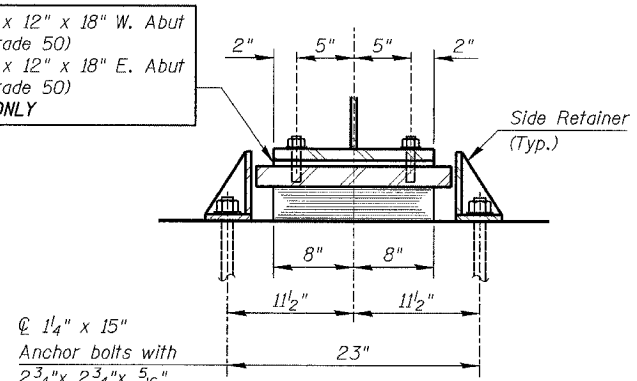
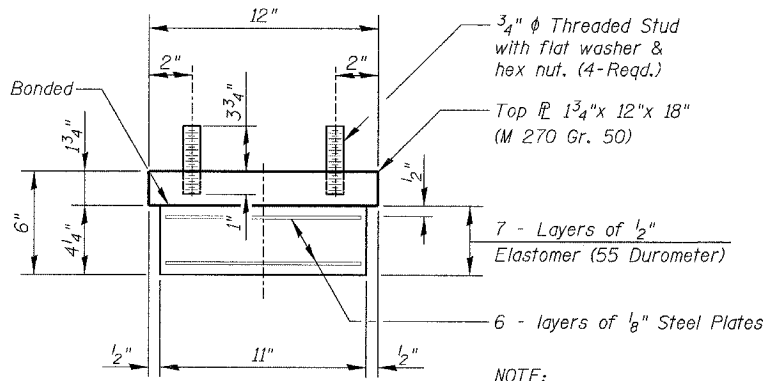


ELEVATION AT ABUTMENTS

Fill  $\frac{1}{4}$ " x 12" x 18" W. Abut (M 270 Grade 50)  
 Fill  $\frac{1}{2}$ " x 12" x 18" E. Abut (M 270 Grade 50)  
**BEAM 8 ONLY**

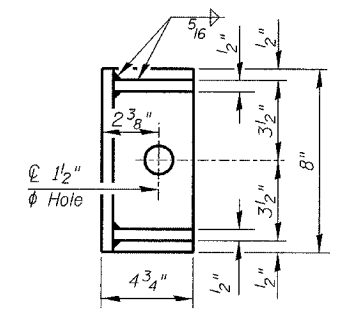


SECTION A-A



BEARING ASSEMBLY

NOTE:  
 Shim plates shall not be placed under Bearing Assembly

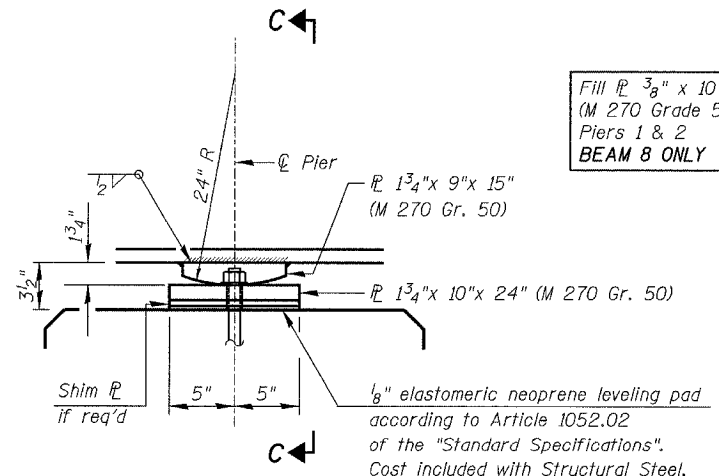


SIDE RETAINER AT ABUTMENTS

Equivalent rolled angle with stiffeners will be allowed in lieu of welded plates. Weight included with Structural Steel.

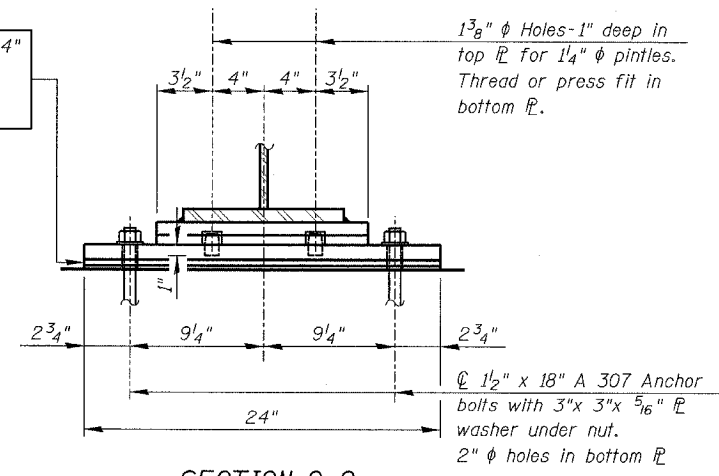
W. Abut 24 Required  
 E. Abut. 24 Required

**TYPE I ELASTOMERIC EXPANSION BEARING AT WEST ABUTMENT & EAST ABUTMENTS**



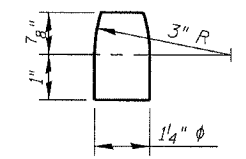
ELEVATION AT PIERS

Fill  $\frac{3}{8}$ " x 10" x 24" (M 270 Grade 50)  
 Piers 1 & 2  
**BEAM 8 ONLY**



SECTION C-C

FIXED BEARING AT PIER 1 & 2



PINTLE

(M270, Gr 50)

**Notes:**

- Anchor bolts at fixed bearings may be built into the masonry.
- See DWG. S-24 for Anchor Bolt installation.
- Furnishing and Installation of Side Retainers and Anchor Bolts included with "Furnishing and Erecting Structural Steel".
- Cost of all plates, pintles and anchor bolts for fixed bearings included with "Furnishing and Erecting Structural Steel".

**BILL OF MATERIAL**

Item	Unit	Total
Elastomeric Bearing Assembly Type I	Each	24

REVISIONS	
NAME	DATE

ILLINOIS DEPARTMENT OF TRANSPORTATION  
**BEARING DETAILS**  
 76TH STREET OVER FAI-94  
 FAP ROUTE 1541 SECTION 1818 R-9  
 COOK COUNTY  
 STATION 73+49.33  
 STRUCTURE NUMBER 016-2850  
 SCALE: NONE DESIGNED BY: TB DRAWN BY: TL  
 DATE: March 25, 2005 CHECKED BY: WPM CHECKED BY: WPM

DWG. S-22 of 42