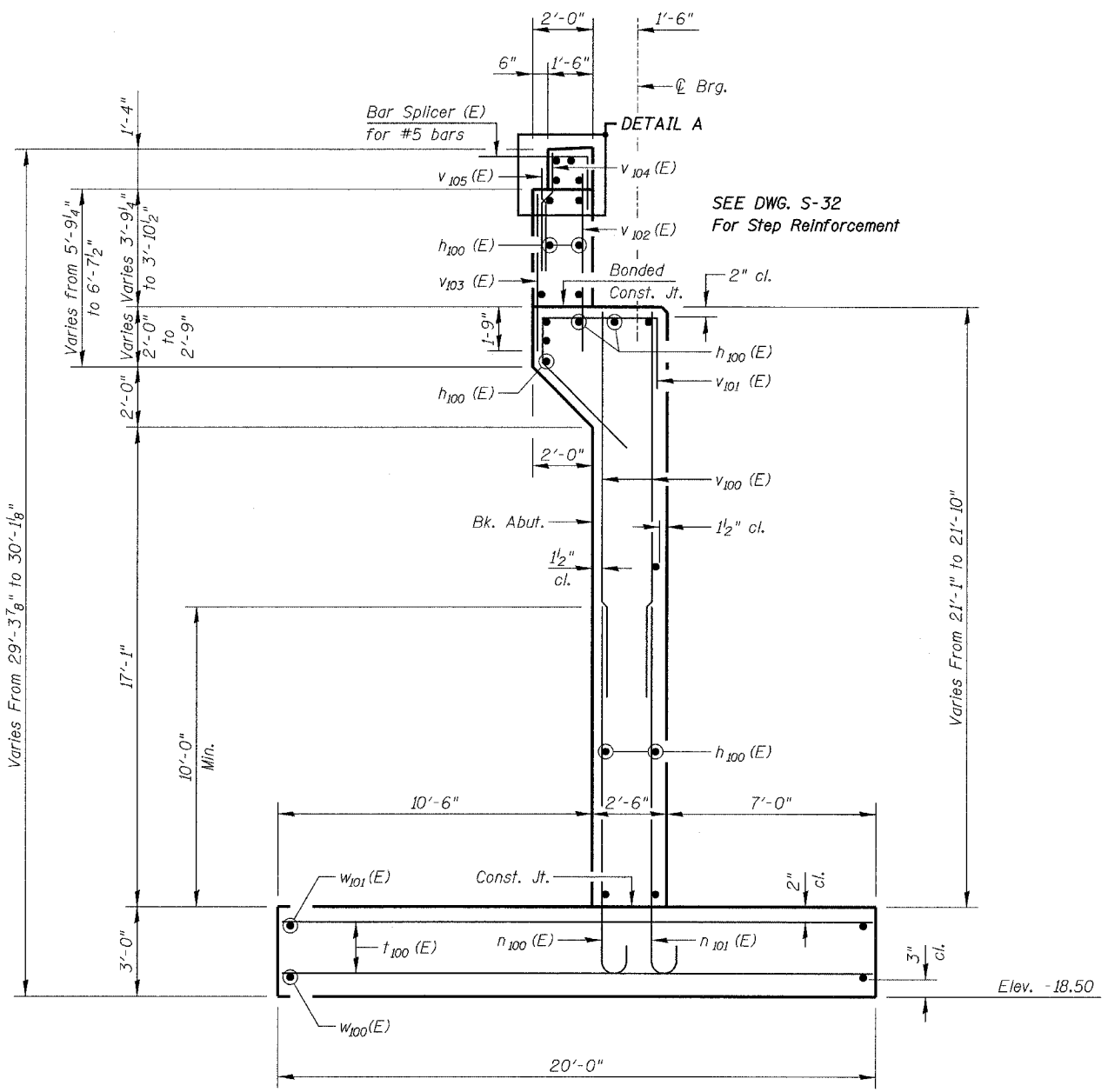
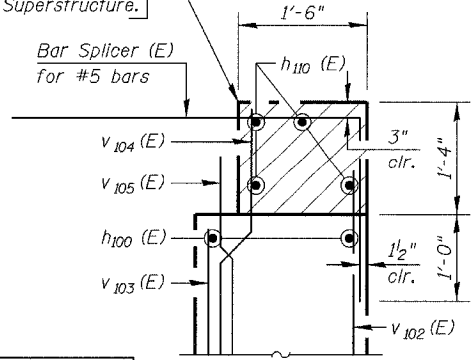


F.A.I. RTE.	SECTION	COUNTY	TOTAL SHEETS	SHEET NO.
94	*	COOK	907	1090
STA.		TO STA.		
FED. ROAD DIST. NO.		ILLINOIS FED. AID PROJECT		
(1516.1, 1717 & 1818) R-9		62695		

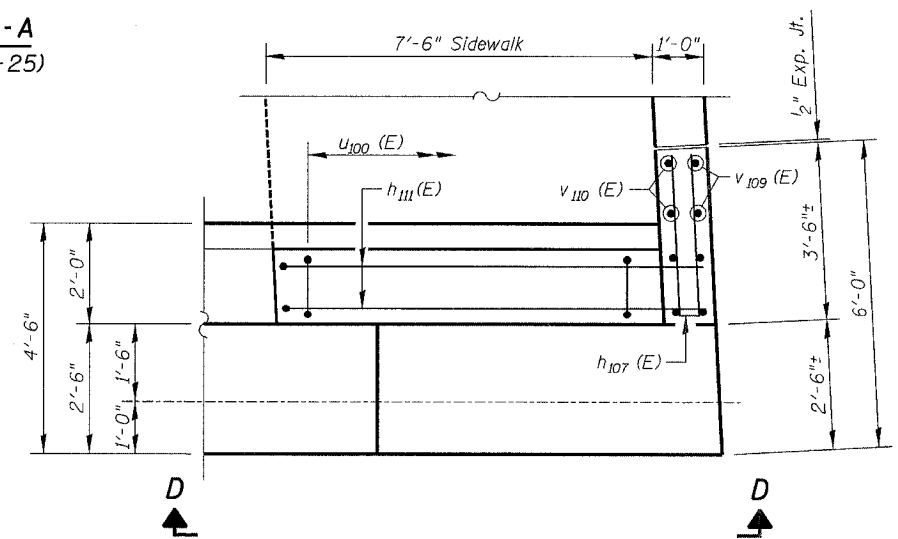


SECTION A-A
(From DWG. S-25)

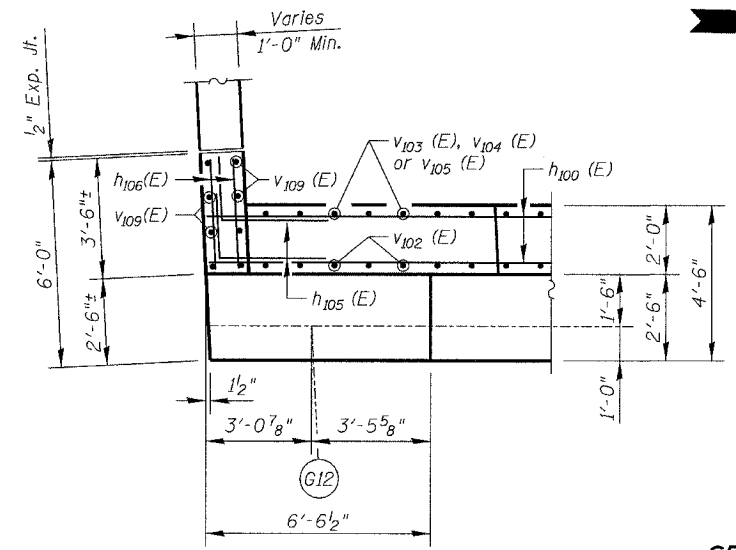
Hatched area to be poured after superstructure forms have been removed. Quantity of concrete included with Concrete Superstructure.



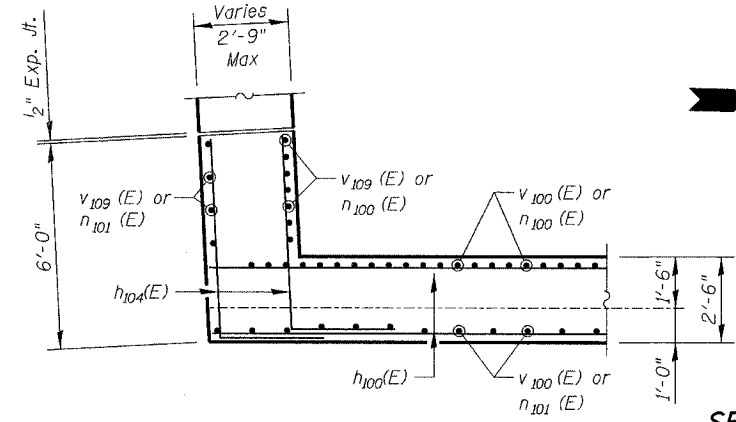
DETAIL A



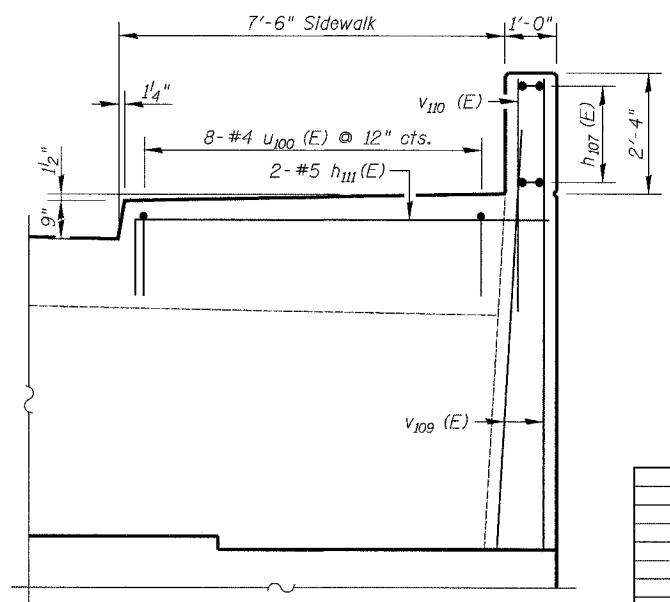
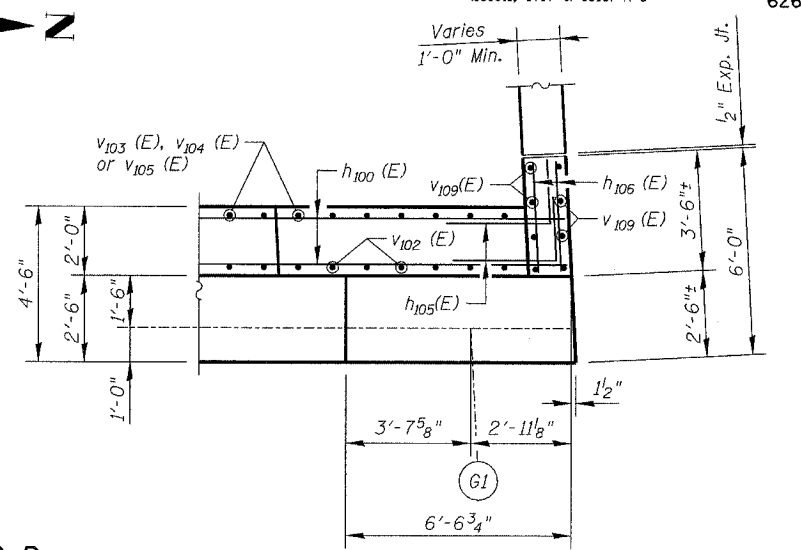
DETAIL B - PLAN
(From DWG. S-24)



SECTION B-B
(From DWG. S-24)



SECTION C-C
(From DWG. S-24)



SECTION D-D - ELEVATION

Notes:
Reinforcement Bars designated (E) shall be epoxy coated.
Estimated Soil Bearing Pressure = 5 ksf.
Work this DWG. with DWGS. S-24, S-25, S-27 & S-32.

REVISIONS	
NAME	DATE

DWG. S-26 of 42
ILLINOIS DEPARTMENT OF TRANSPORTATION
WEST ABUTMENT SECTIONS & DETAILS
76TH STREET OVER FAI-94
FAP ROUTE 1541 SECTION 1818 R-9
COOK COUNTY
STATION 73+49.33
STRUCTURE NUMBER 016-2850
SCALE: NONE
DESIGNED BY: TB
DRAWN BY: TL
DATE: March 25, 2005
CHECKED BY: WPM
CHECKED BY: WPM

FILE: L:\16592.02\16592\Roadway Structures\Bridges\6592-52850-ABW03.dgn

KNIGHT
Engineers & Architects