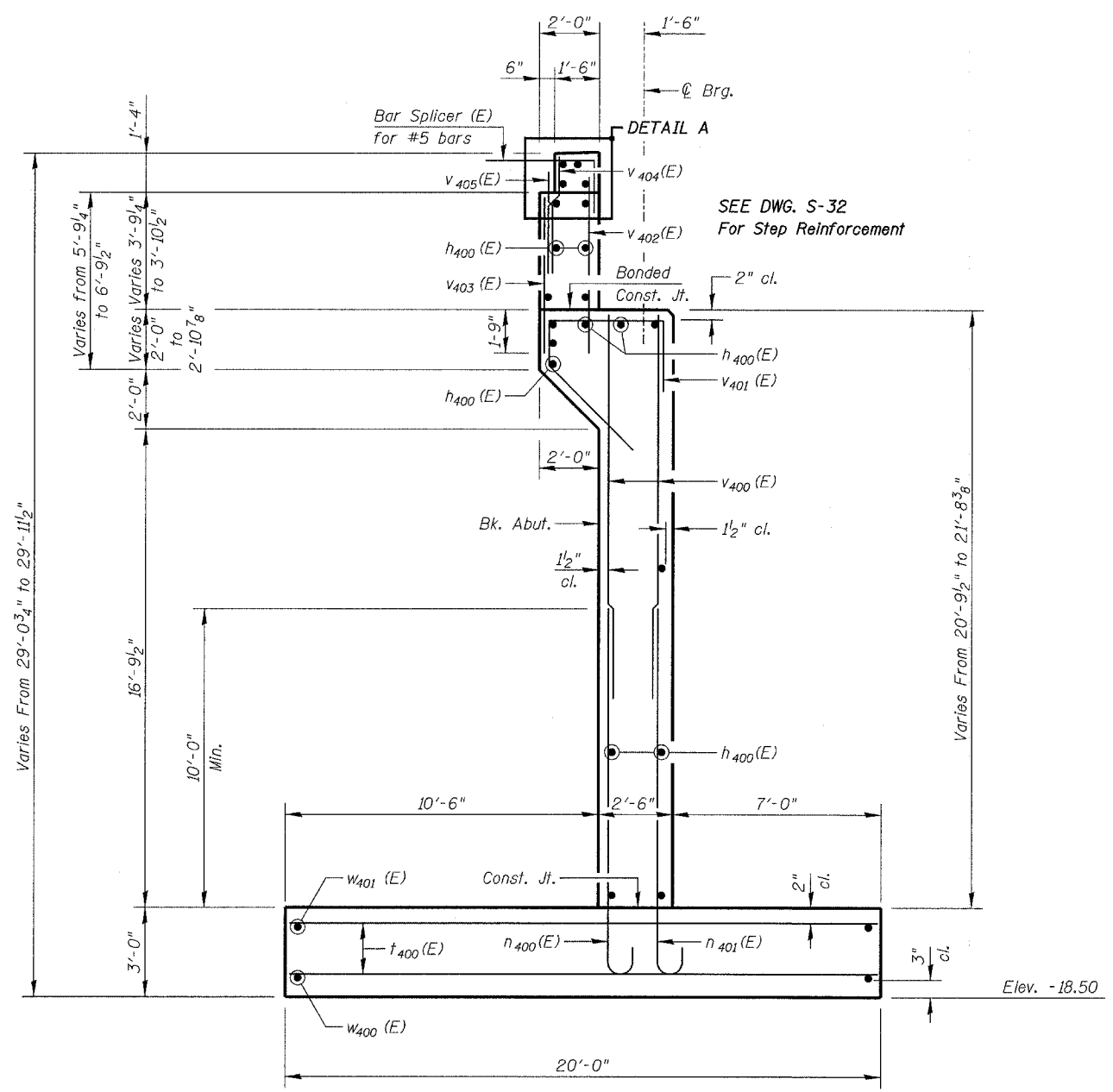
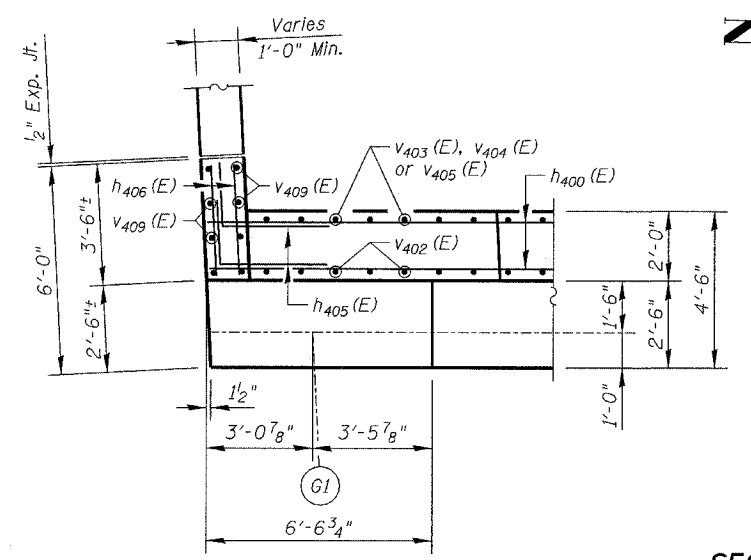


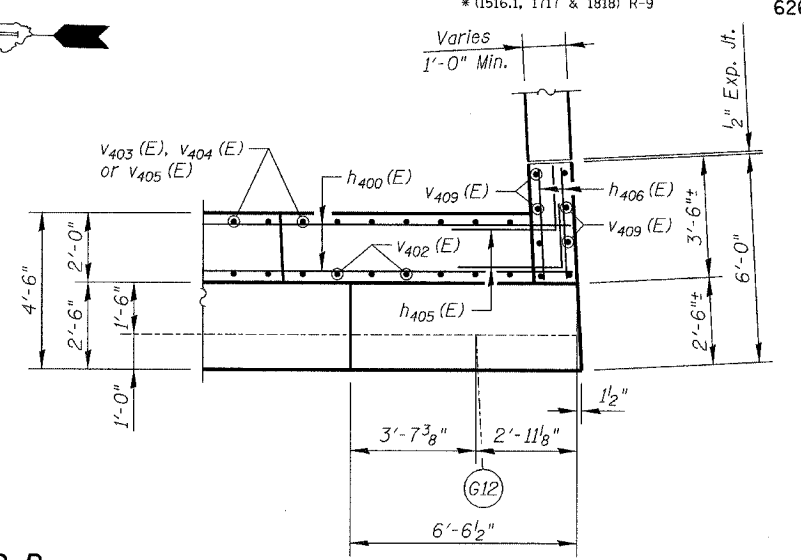
F.A.I. RTE.	SECTION	COUNTY	TOTAL SHEETS	SHEET NO.
94	*	COOK	007	00
STA.	TO STA.			
FED. ROAD DIST. NO.	ILLINOIS FED. AID PROJECT			
(1516.1, 1717 & 1818) R-9	62695			



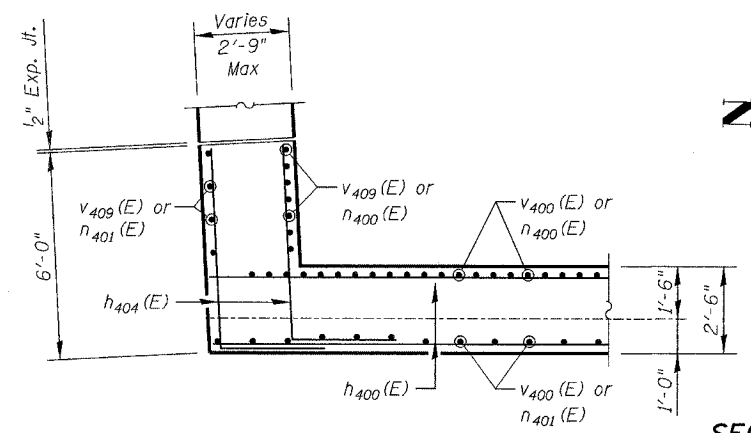
SECTION A-A
(From DWG. S-29)



SECTION B-B
(From DWG. S-28)

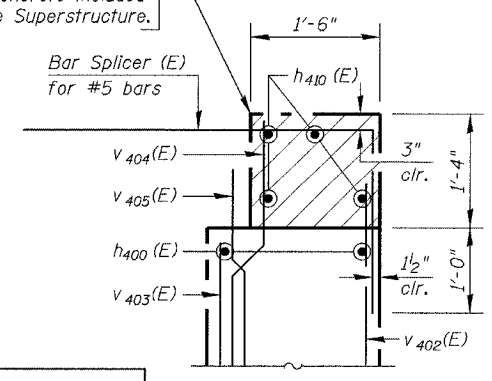


SECTION C-C
(From DWG. S-28)

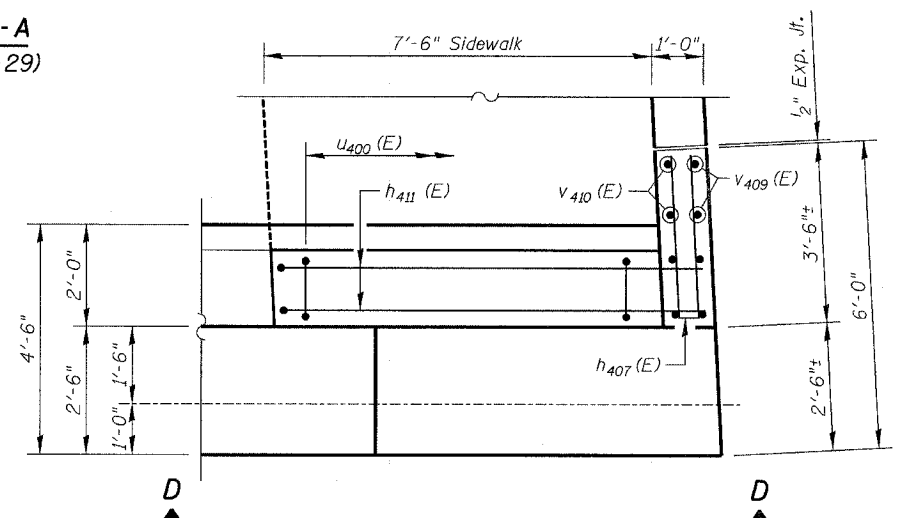


SECTION D-D - ELEVATION

Hatched area to be poured after superstructure forms have been removed. Quantity of concrete included with Concrete Superstructure.



DETAIL A



DETAIL B - PLAN
(From DWG. S-28)

Notes:
Reinforcement Bars designated (E) shall be epoxy coated.
Estimated Soil Bearing Pressure = 5 ksf.
Work this DWG. with DWGS. S-28, S-29, S-31 & S-32.

REVISIONS	
NAME	DATE

DWG. S-30 of 42
ILLINOIS DEPARTMENT OF TRANSPORTATION
EAST ABUTMENT SECTIONS & DETAILS
76TH STREET OVER FAI-94
FAP ROUTE 1541 SECTION 1818 R-9
COOK COUNTY
STATION 73+49.33
STRUCTURE NUMBER 016-2850
SCALE: NONE
DATE: March 25, 2005
DESIGNED BY: TB
DRAWN BY: TL
CHECKED BY: WPM
CHECKED BY: WPM



FILE: L:\6592.02\Coop\Sheets\Roadway Structures\Bridges\6592-52850-ABEC03.dgn