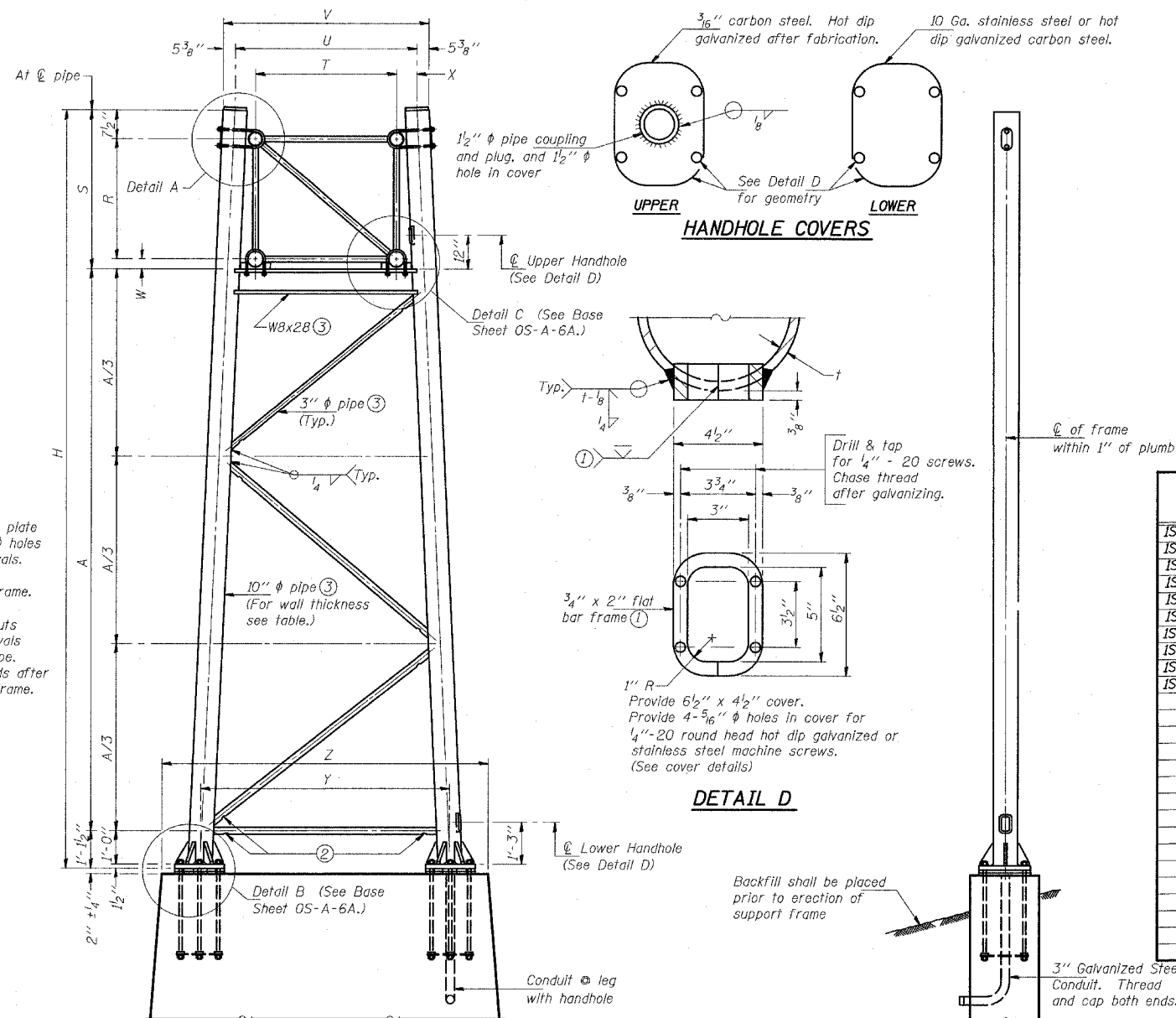
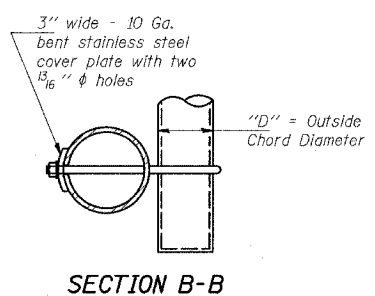
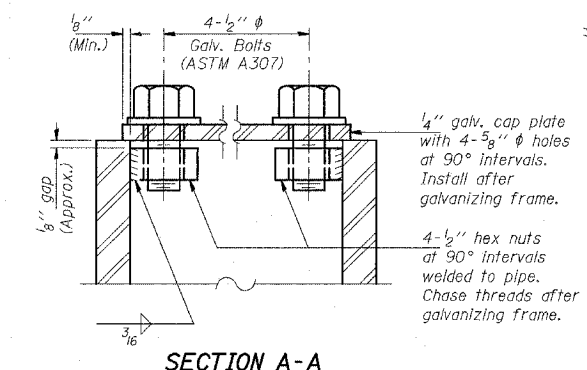
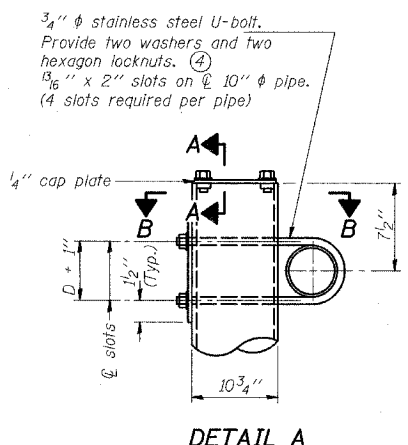


STATE OF ILLINOIS  
DEPARTMENT OF TRANSPORTATION

F.A.I. RTE.	SECTION	COUNTY	TOTAL SHEETS	SHEET NO.
94		COOK	907	763
STA. 1200+00.00		TO STA. 1365+00		
FED. ROAD DIST. NO.		ILLINOIS	FED. AID PROJECT	
(1516.1, 1717 & 1818) R-9		62695		



Support Design Loads: See Base Sheet OS-A-1 for design and loading criteria.  
Load combinations checked include deadload plus:  
a) 100% wind normal to sign, 20% parallel to sign  
b) 60% wind normal to sign, 30% parallel to sign

- In lieu of fabricated handhole frame as shown, may cut from 2" plate (rolling direction vertical). All cut faces to be ground to ANSI Roughness of 500  $\sqrt{\text{in}}$  or less.
- Galvanizing vent holes of adequate size shall be provided on underside at each end of bracing pipes. Alternately, holes may be provided in wall of pipe column. All vent holes shall be drilled and de-burred. (Typ.)
- Steel pipe, plate, carbon steel handhole covers and rolled sections shall be hot dip galvanized after fabrication. Painting is not permitted. See Base Sheet OS-A-1.
- See General Notes for fasteners.
- Dimensions shown are based on selection criteria in the Sign Structures Manual. Nonstandard applications must have dimensions verified or amended as appropriate.

Structure Number	Station	Support		Truss Type	Pipe Wall Thickness	H	A
		Left	Right				
ISO161094R060.0	1355+91	X		I-A	0.279"	23.36'	16.78'
ISO161094R060.0	1355+91		X	I-A	0.279"	24.50'	17.92'
ISO161094R061.5	1276+67	X		II-A	0.365"	25.5'	18.11'
ISO161094R061.5	1276+67		X	II-A	0.365"	23'	15.61'
ISO161094R061.9	1251+43	X		II-A	0.365"	25.5'	18.11'
ISO161094R061.9	1251+43		X	II-A	0.365"	24'	16.61'
ISO161094R062.5	1224+00	X		II-A	0.365"	25.5'	18.11'
ISO161094R062.5	1224+00		X	II-A	0.365"	24'	16.61'
ISO161094R062.9	149+87	X		II-A	0.365"	26'	18.61'
ISO161094R062.9	149+87		X	II-A	0.365"	25'	17.61'

FOR FOUNDATION DETAILS SEE BASE SHEET OS-F3 (Spread Footing) or OS4-F3 (Drilled Shaft).

**10"  $\phi$  PIPE TRUSS SUPPORT FRAME**

Truss Type	Dimensions								
	R	S	T	U	V	W	X	Y	Z
I-A	4'-6"	5'-5 1/2"	4'-0"	5'-6"	6'-4 3/4"	4"	9"	8'-3"	10'-9"
II-A	5'-3"	6'-3 1/4"	4'-6"	6'-1"	6'-11 3/4"	4 3/4"	9 1/2"	8'-3"	10'-9"

NUMBER	REVISION	DATE

DESIGNED -   
CHECKED -   
DRAWN -   
CHECKED -

EXAMINED -   
PASSED -

OS-A-6 11/1/2002

REVISIONS	
NAME	DATE

ILLINOIS DEPARTMENT OF TRANSPORTATION  
F.A.I. 94 (DAN RYAN EXPRESSWAY)  
OVERHEAD SIGN STRUCTURES  
SUPPORT FRAME FOR ALUMINUM TRUSS

SCALE: AS NOTED  
DATE: MARCH 25, 2005

DRAWN BY: AMB  
CHECKED BY: TB