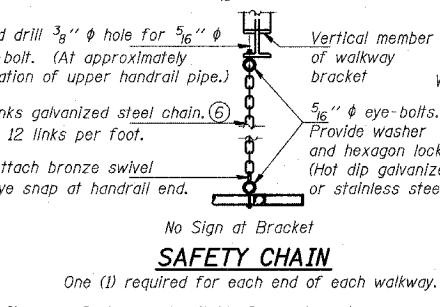
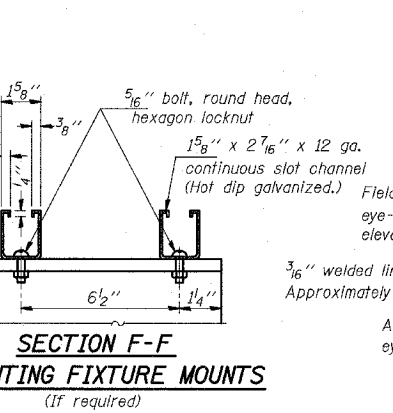
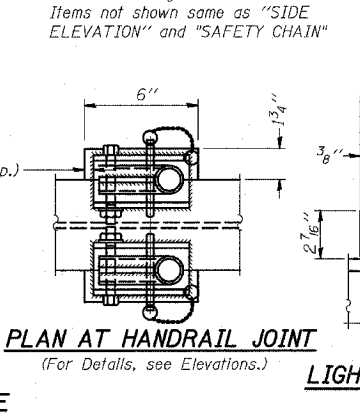
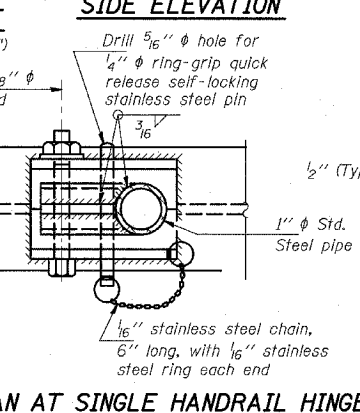
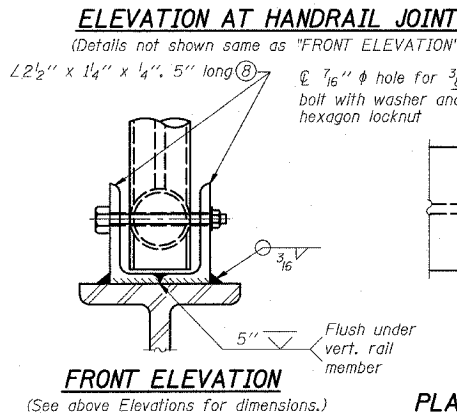
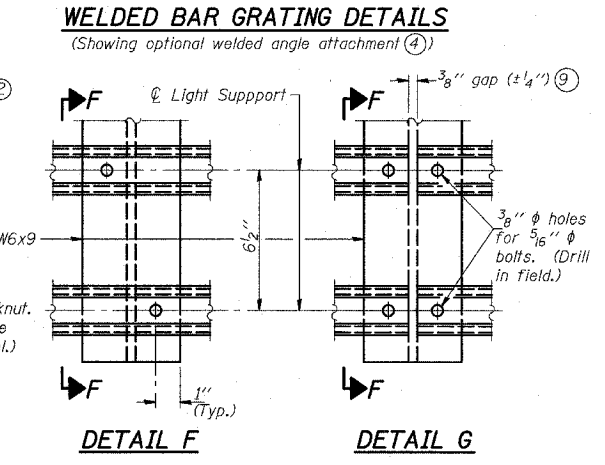
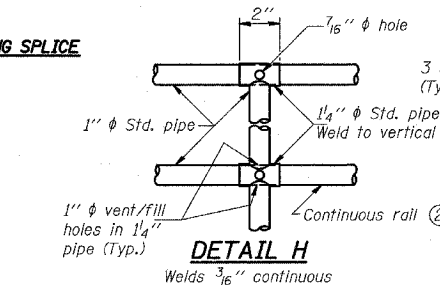
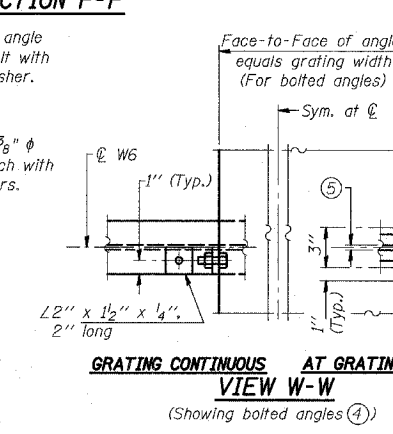
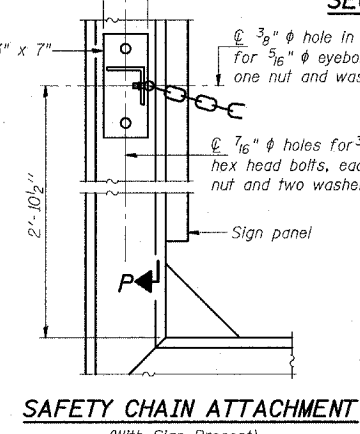
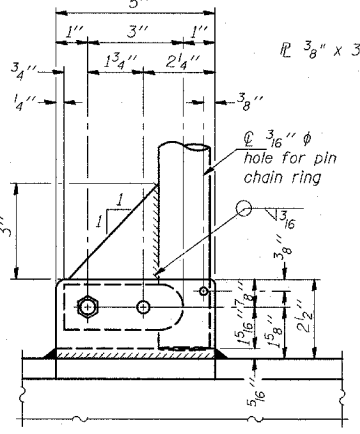
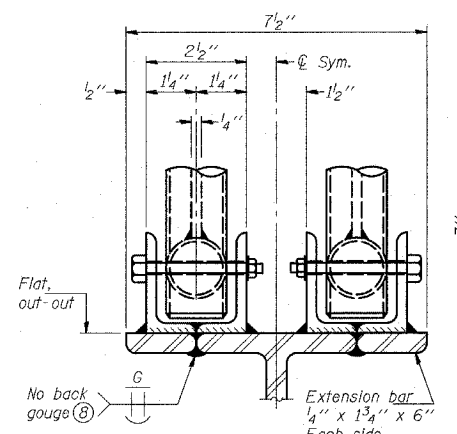
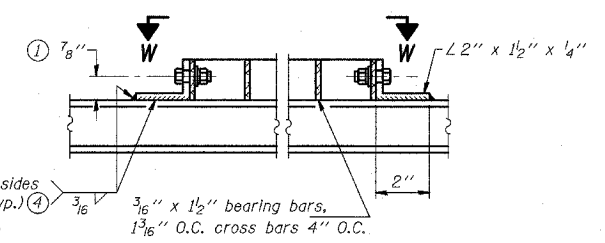
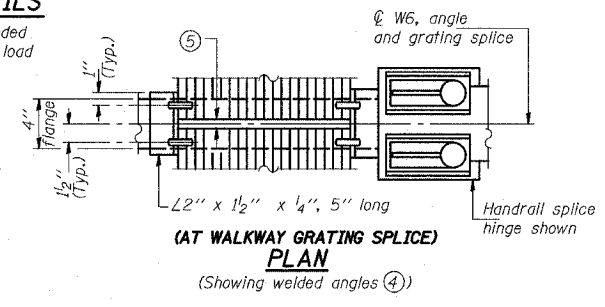
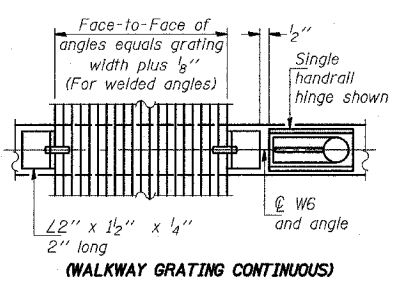
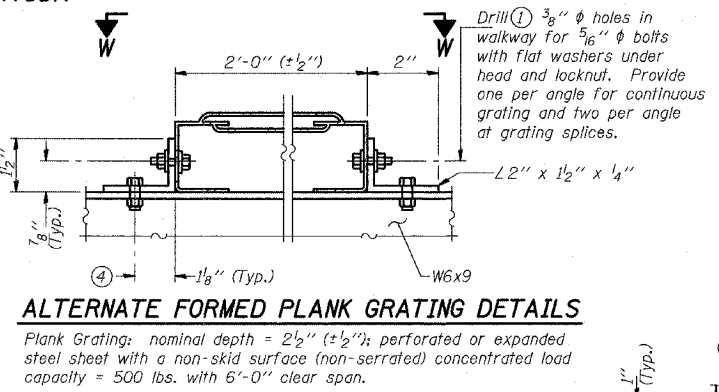
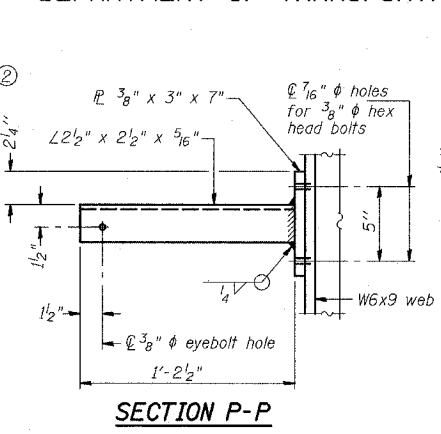
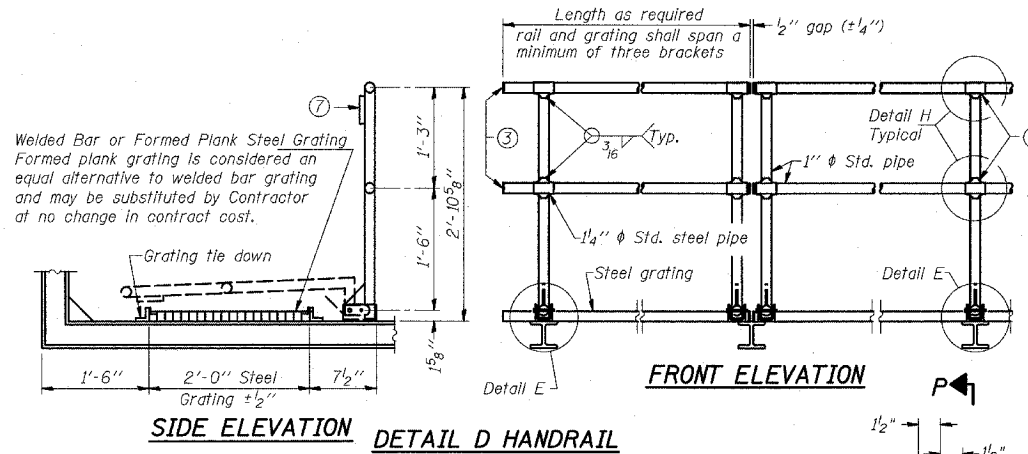


STATE OF ILLINOIS
DEPARTMENT OF TRANSPORTATION



NUMBER	REVISION	DATE

DESIGNED			
CHECKED			
DRAWN			
CHECKED			

EXAMINED			
PASSED			

- NOTES**
- Drilling holes in grating may be done in shop or field, based on Contractor's preference and subject to accurate alignment.
 - Horizontal rail member shall be continuous thru 1 1/4" diameter pipe. Provide 7/16" diameter hole in fitting for 3/8" diameter bolt. Field drill 1/16" diameter hole in horizontal rail member. Provide washer and locknut for bolt. (Use 3/16" eyebolts in 1/16" diameter holes on top rail at ends only.)
 - Install standard force-fit end caps or weld 1/8" end plates with 1/8" c.f.w. and grind smooth. (All rail ends.)
 - Grating tie-down angles may be either bolted to W6x9 after galvanizing or welded to W6x9 before galvanizing, at the Contractor's option. (No weld on grating side.)
 - 3/8" (+/- 1/4") gap between grating panels at splice.
 - Chain to be hot dip galvanized after manufacture and suitable for prolonged exterior exposure. Alternate materials may be substituted with the Engineer's approval. Approximately 3'-6" long chain per location. Maximum sag with handrail erected = 4".
 - 1/8" x 1/2" x 2" welded to handrail posts to protect locations that contact grating.
 - Extrusions may be used in lieu of details shown, with approval by Engineer.
 - Field cut ends of light support channels shall be free of burrs or hazardous projections and coated with zinc-rich primer or equivalent.

FOR BRIDGE-MOUNTED SIGN STRUCTURES AT STA. 107+16, STA. 1313+24, & STA. 2332+18 USE W6X12 INSTEAD OF W6X9.

BM-4 11/1/2002

TYLIN INTERNATIONAL

REVISIONS	NAME	DATE

ILLINOIS DEPARTMENT OF TRANSPORTATION
F.A.I. 94 (DAN RYAN EXPRESSWAY)
BRIDGE MOUNT SIGN STRUCTURES
WALKWAY DETAILS
SCALE: AS NOTED
DATE: MARCH 25, 2005
DRAWN BY: AMB
CHECKED BY: TB