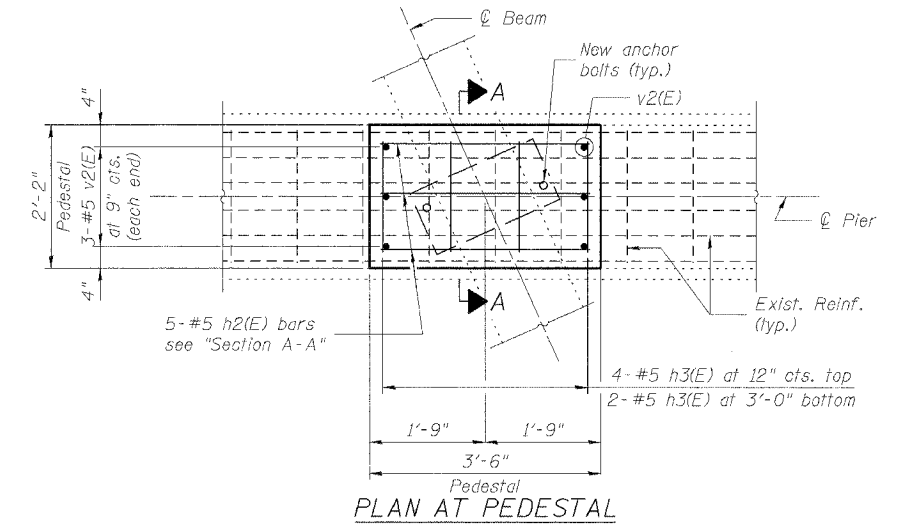
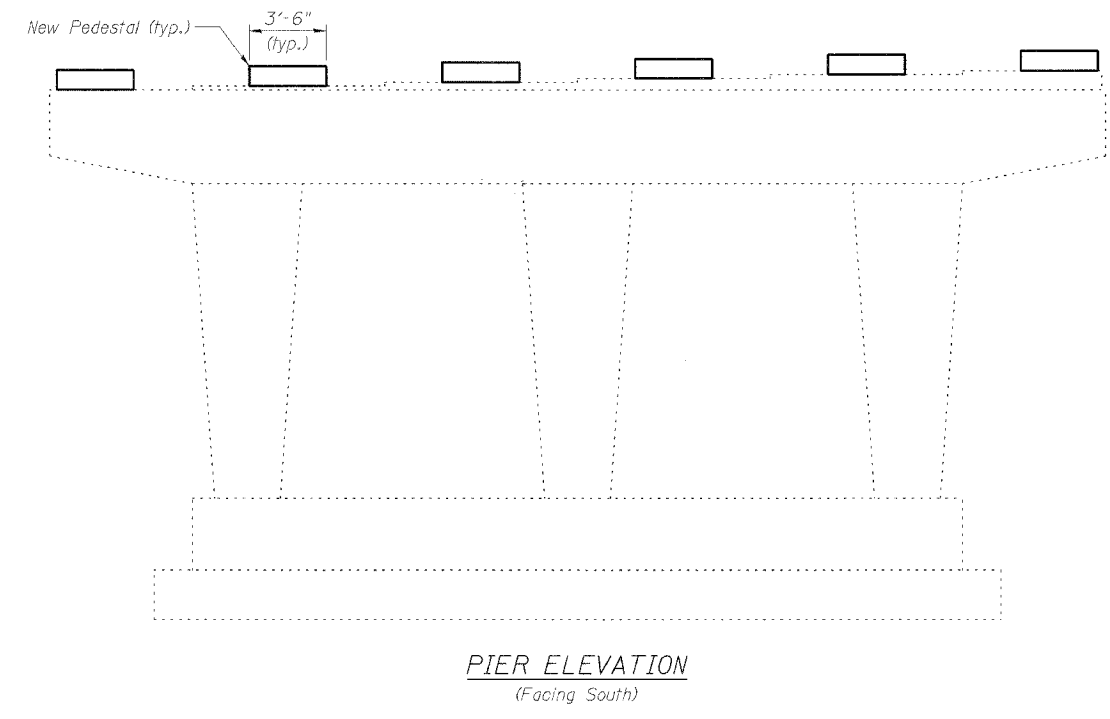
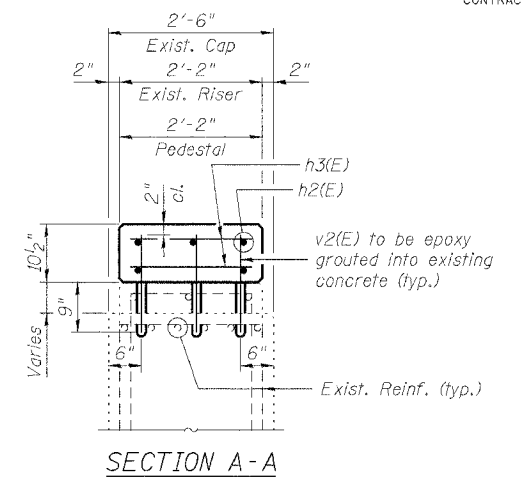
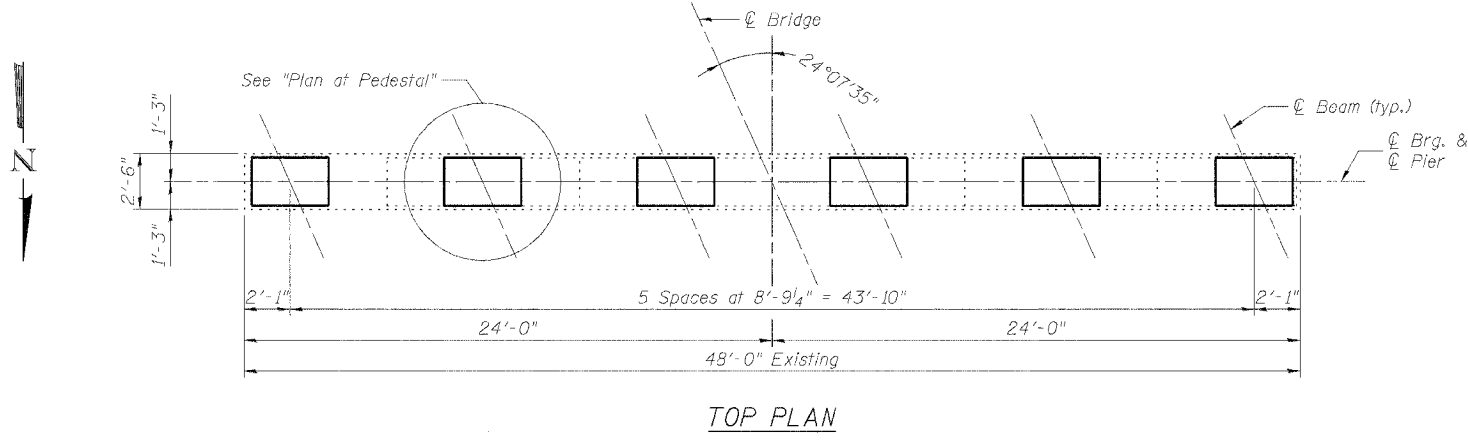


STATE OF ILLINOIS  
DEPARTMENT OF TRANSPORTATION

SHEET 6  
OF 8

F.A.I. RTE.	SECTION	COUNTY	TOTAL SHEETS	SHEET NO.
64	82-7RS-1, 82-7HB-1, 2I	ST. CLAIR	09	64
FED. ROAD DIST. NO. ILLINOIS			FED. AID PROJECT	
CONTRACT NO. 76813				



BILL OF MATERIAL

Bar	No.	Size	Length	Shape
h2(E)	30	#5	3'-2"	—
h3(E)	36	#5	1'-10"	—
v2(E)	36	#5	1'-5"	—
Concrete Structures			Cu. Yd.	1.5
Reinforcement Bars, Epoxy Coated			Pound	230

Reinforcement Bars designated (E) shall be epoxy coated.

PIER  
S. LINCOLN AVE. (FAS 843) OVER  
INTERSTATE 64  
F.A.I. 64 SEC. 82-7RS-1, 82-7HB-1, 2I  
ST. CLAIR COUNTY  
STATION 816+85.18  
STRUCTURE NO. 082-0181

**JD** Johnson, Depp & Quisenberry  
CONSULTING ENGINEERS  
Springfield, Illinois

DESIGNED: CDB	DRAWN: P. Ray
CHECKED: DCD	CHECKED: CDB/DCD

FILE: F:\10132\_IL-DBVW\F2 1-64 BrIDGE Repairs\2-S1018-L\Incoln\ave\_06ater.dgn  
 USER: P. Ray  
 DATE: 03/28/2005 - 12:53:44