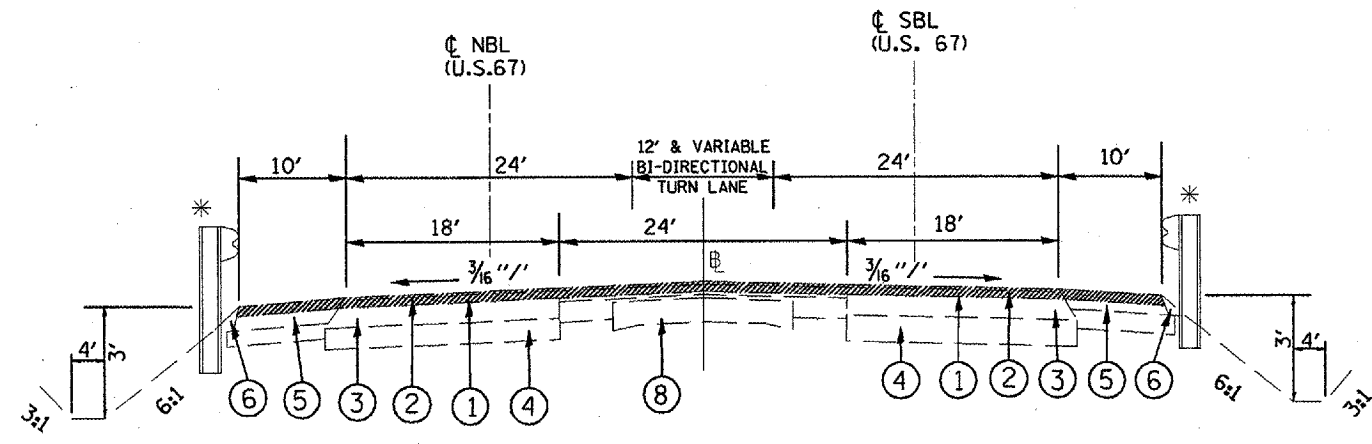
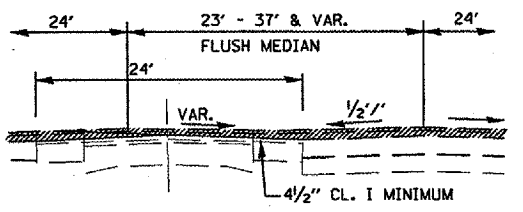


CONTRACT 88757				
F.A.P. RTE.	SECTION	COUNTY	TOTAL SHEETS	SHEET NO.
310	138-11RS	MCDONOUGH	83	9
STA.		TO STA.		
FED. ROAD DIST. NO.	ILLINOIS	FED. AID PROJECT		

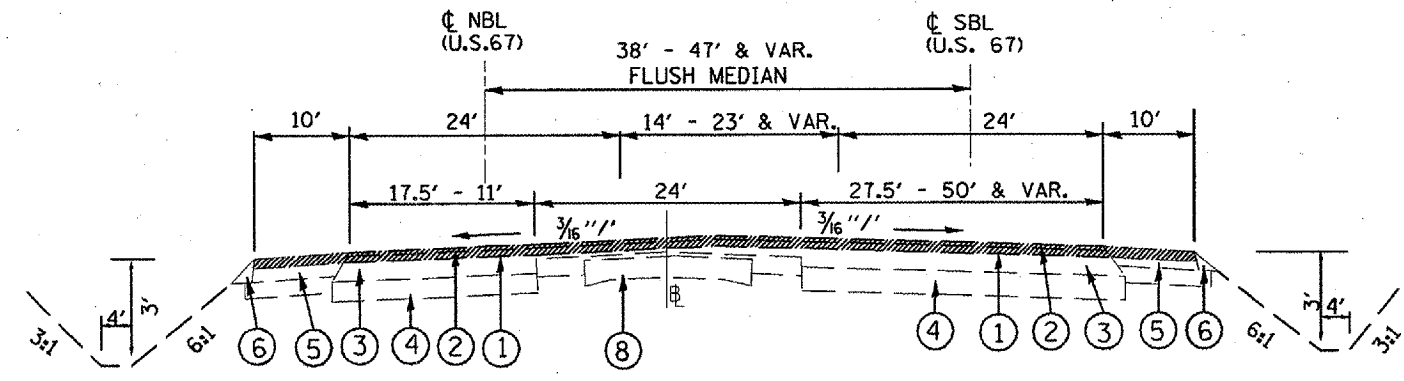


STA. 106+24.32 (SB) TO STA. 109+90  
 STA. 106+19.68 (NB) TO STA. 109+90

\* SEE EXIST. PLAN SHEETS FOR GUARDRAIL LIMITS



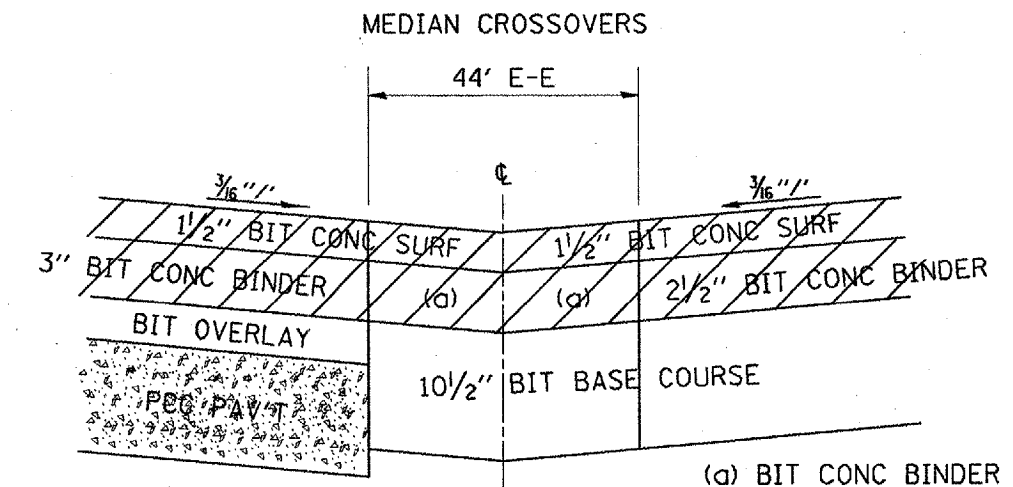
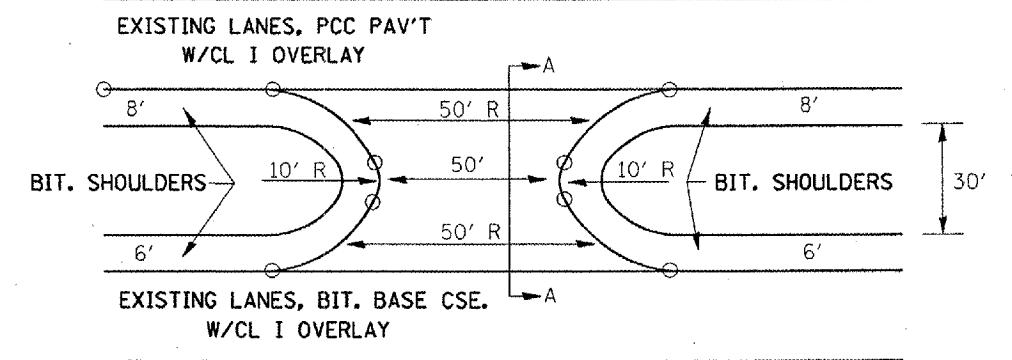
STA. 113+00 TO 117+48



STA. 109+90 TO STA. 113+00

- ① 3" CL. I BINDER CSE. ( 2 - 1/2" LIFTS)
- ② 1/2" BIT. CONC. SURF. CSE, MIX E, CL. I
- ③ BIT. BASE CSE 10"
- ④ LIME MODIFIED SUBBASE 8"
- ⑤ BITUMINOUS SHOULDER 8"
- ⑥ AGG. SHOULDER, TYPE B
- ⑦ PIPE UNDERDRAIN 4"
- ⑧ 9-6-9 PCC PAVEMENT

▨ COLD MILL 4 1/2"



(a) BIT CONC BINDER  
 3"-2 3/4" LT.  
 2 1/2"-2 3/4" RT.

SECTION A-A

REVISIONS	
NAME	DATE

ILLINOIS DEPARTMENT OF TRANSPORTATION  
 EXISTING  
 TYPICAL SECTIONS  
 U.S. ROUTE 67  
 SCALE: VERT. NOT TO SCALE HORIZ. DRAWN BY CADD  
 DATE 04/27/00 CHECKED BY