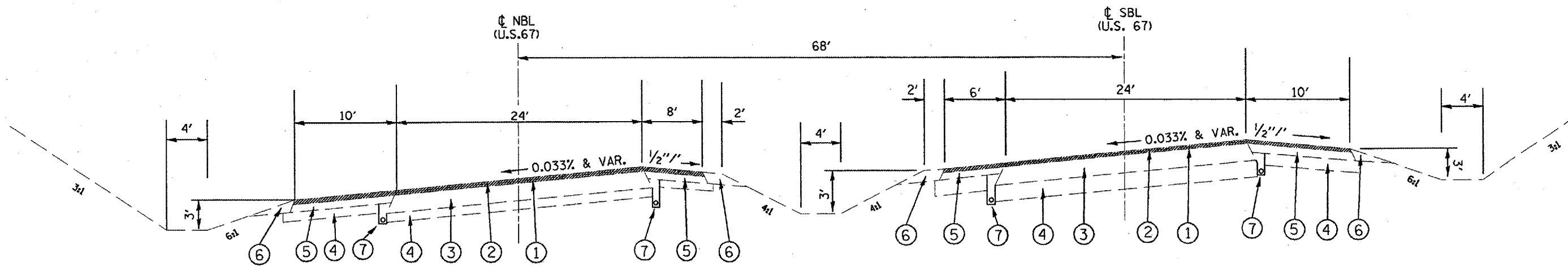


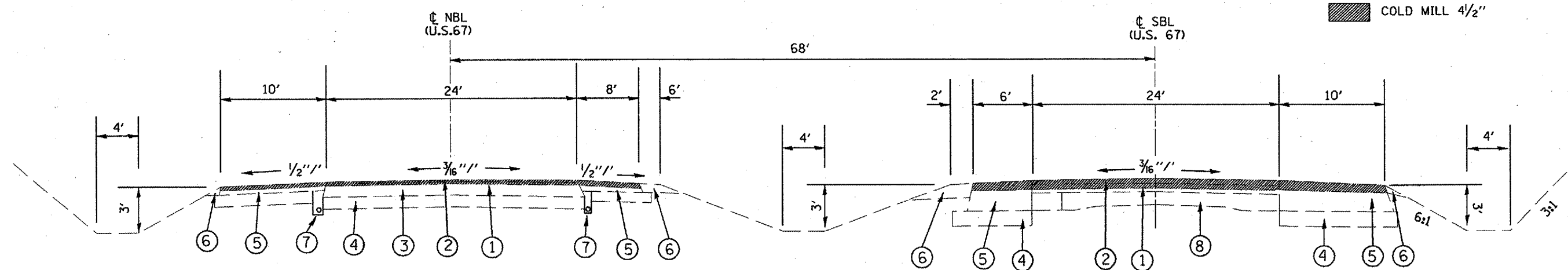
F.A.P. RTE.	SECTION	COUNTY	TOTAL SHEETS	SHEET NO.
310	C38-11RS	McDONOUGH	83	11
STA.	TO STA.			
FED. ROAD DIST. NO.	ILLINOIS	FED. AID PROJECT		



STA. 267+00 TO STA. 282+00

- ① 3" CL. I BINDER CSE. ( 2 - 1 1/2" LIFTS)
- ② 1 1/2" BIT. CONC. SURF. CSE, MIX E, CL. I
- ③ BIT. BASE CSE 10"
- ④ LIME MODIFIED SUBBASE 8"
- ⑤ BITUMINOUS SHOULDER 8"
- ⑥ AGG. SHOULDER, TYPE B
- ⑦ PIPE UNDERDRAIN 4"
- ⑧ 9-6-9 PCC PAVEMENT

COLD MILL 4 1/2"



STA. 282+00 TO STA. 296+70

REVISIONS	
NAME	DATE

ILLINOIS DEPARTMENT OF TRANSPORTATION  
 EXISTING  
 TYPICAL SECTIONS  
 U.S. ROUTE 67  
 SCALE: VERT. NOT TO SCALE DRAWN BY CADD  
 DATE #DATE# CHECKED BY