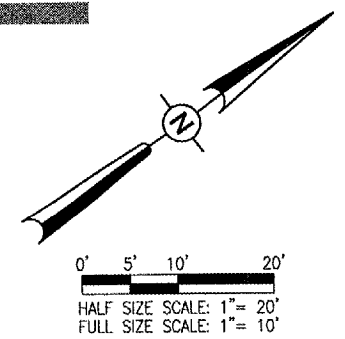


NOTES

1. SEE "ELECTRICAL ONE-LINE DIAGRAM FOR T-HANGAR ACCESS" FOR DETAILS ON ELECTRICAL EQUIPMENT & WIRING.
2. ALL ELECTRICAL WORK, EQUIPMENT, CABLE IN CONDUIT OR UNIT DUCT, WIRING, DUCTS, GROUNDING, ASSOCIATED WITH THE ELECTRIC GATE SHALL BE CONSIDERED INCIDENTAL TO ITEM AR162724 ELECTRIC GATE - 24'.
3. LTFMC DENOTES UL LISTED LIQUID TIGHT FLEXIBLE METAL CONDUIT, SUNLIGHT RESISTANT & SUITABLE FOR USE AS EQUIPMENT GROUNDING CONDUCTOR.
4. THE CONTRACTOR SHALL CONTACT THE RESPECTIVE AIRPORT PERSONNEL FOR ASSISTANCE IN LOCATING EXISTING UNDERGROUND CABLES AND/OR UTILITIES.
5. ALL ITEMS OF WORK AND MATERIALS REQUIRED TO ACHIEVE THE INSTALLATION OF THE PROPOSED ELECTRIC SLIDE GATE, AS SHOWN ON SHEETS 9 THRU 12, WILL BE PAID FOR UNDER ITEM AR162724.

LEGEND

- EXISTING IMPROVEMENTS
- EXISTING BUILDINGS
- EXISTING FENCE
- PROPOSED FENCE
- EXISTING UNDERGROUND ELECTRIC



THE LOCATION, SIZE AND TYPE OF MATERIAL OF EXISTING UNDERGROUND UTILITIES INDICATED ON THE PLANS IS NOT REPRESENTED AS BEING ACCURATE, SUFFICIENT OR COMPLETE. IT SHALL BE THE CONTRACTOR'S RESPONSIBILITY TO DETERMINE THE ACTUAL LOCATION OF ALL SUCH FACILITIES, INCLUDING SERVICE CONNECTIONS TO UNDERGROUND UTILITIES. PRIOR TO CONSTRUCTION, THE CONTRACTOR SHALL NOTIFY THE UTILITY COMPANIES OF HIS OPERATIONAL PLANS AND SHALL OBTAIN FROM THE RESPECTIVE UTILITY COMPANIES DETAILED INFORMATION AND ASSISTANCE RELATIVE TO THE LOCATION OF THEIR FACILITIES AND THE WORKING SCHEDULE OF THE COMPANIES FOR REMOVAL OR ADJUSTMENT WHERE REQUIRED. IN THE EVENT AN UNEXPECTED UTILITY INTERFERENCE IS ENCOUNTERED DURING CONSTRUCTION, THE CONTRACTOR SHALL IMMEDIATELY NOTIFY THE UTILITY COMPANY OF JURISDICTION. THE ENGINEER SHALL ALSO BE IMMEDIATELY NOTIFIED. ANY SUCH MAINS AND SERVICES SHALL BE RESTORED TO SERVICE AT ONCE AND PAID FOR BY THE CONTRACTOR AT NO ADDITIONAL COST TO THE CONTRACT.

CALL J.U.L.I.E. FOR UTILITY INFORMATION AT 1-800-892-0123.

MAY 27, 2005 1:22 PM BAK I:\AIRPORTS\LOGAN\813-05APND\AIRPORT SHEETS\R-171FEN.DWG - Layout1 Q.A. REVIEW W.M. 3/23/05

DATE	REVISION	BY	LOGAN COUNTY AIRPORT LINCOLN, ILLINOIS	A.I.P. PROJ.: 3-17-0062-B12 I.L. PROJ.: AAA-3430
H&E Project No. 813-05APND_0800 Filename R-171FEN.DWG Scale 1" = 10' Date 01/04/05			LAYOUT DRAWN BAK 01/04/05 REVIEWED CAH 03/18/05	BKB 01/04/05 BAK 01/04/05 CAH 03/18/05
			Hanson Professional Services Inc. 1525 South Sixth Street Springfield, Illinois 62705-2886 Offices Nationwide	
REHABILITATE THE G.A. APRON			T-HANGAR ACCESS GATE ELECTRICAL PLAN	
9			9 of 26 sheets	