

PIPE DIA.	WALL	A	B	C	D	E	R	SLOPE
12"	2"	4"	2'-0"	4'-0 7/8"	6'-0 7/8"	2'-0"	9"	3:1

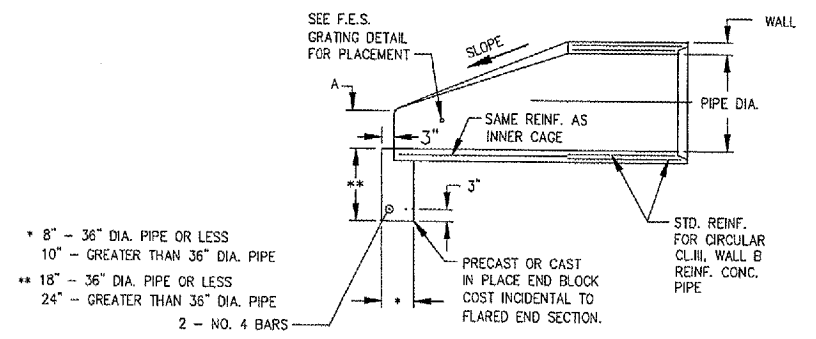
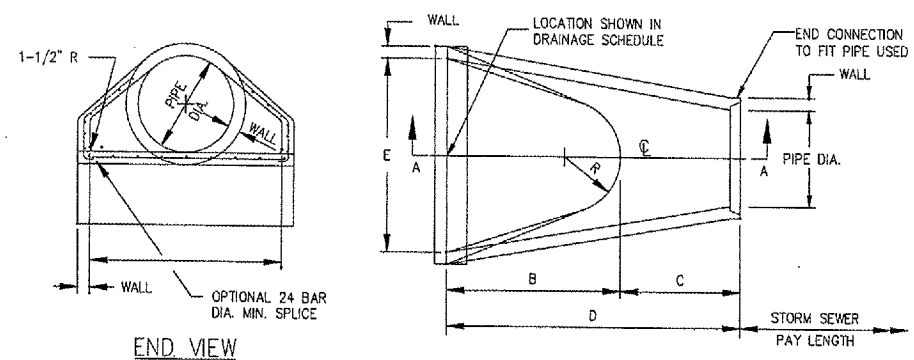
NOTES

1. GRATING SHALL BE PAID FOR UNDER ITEM AR752512.
2. THE END BLOCK SHALL BE PLACED PRIOR TO THE INSTALLATION OF THE FLARED END SECTION. THE END BLOCK SHALL BE BACKFILLED IN ACCORDANCE WITH ARTICLE 502.10 OF IDOT SPECIFICATIONS, WITH COST INCIDENTAL TO FLARED END SECTION.
3. PRECAST CONCRETE FLARED END SECTIONS SHALL CONFORM TO THE APPLICABLE REQUIREMENTS OF AASHTO M-170 CLASS III, WALL B REINFORCED CONCRETE PIPE.

DIA. INCHES	V-BAR SIZE	H-BAR SIZE	No. OF H-BARS REQ'D.	BOLT DIA. INCHES	"A" DIM. INCHES
12	1/2"	5/8"	3	1/2	4

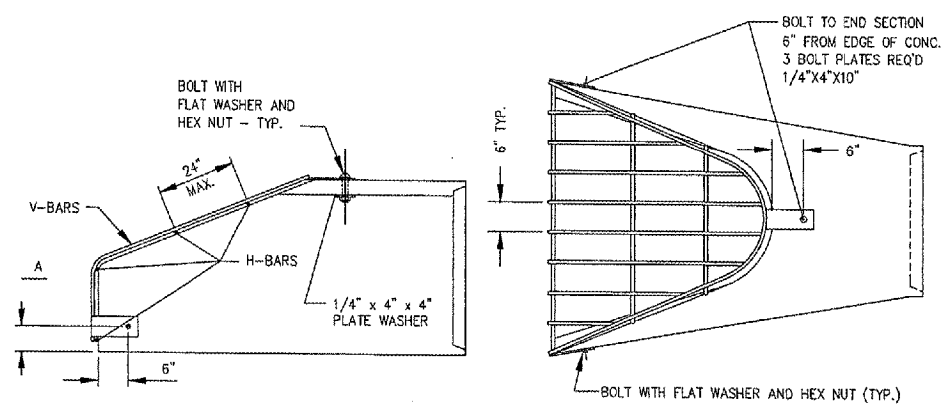
NOTES

1. BARS AND PLATES ARE HOT ROLLED STEEL.
2. BARS, PLATES, PIPE AND BOLTS ARE GALVANIZED.



- * 8" - 36" DIA. PIPE OR LESS
- 10" - GREATER THAN 36" DIA. PIPE
- ** 18" - 36" DIA. PIPE OR LESS
- 24" - GREATER THAN 36" DIA. PIPE
- 2 - NO. 4 BARS

PRECAST CONCRETE FLARED END SECTION
(IDOT STANDARD 542301)



GRATING FOR FLARED END SECTION

UNDERDRAIN SCHEDULE

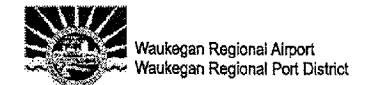
STRUCTURE DATA						SEWER DATA	
STRUCTURE NUMBER	NORTHING	EASTING	STRUCTURE TYPE	RIM ELEVATION	INVERT ELEVATION	PAY LENGTH (FT.)	SLOPE %
EX CB2	2094313.69	1109065.15	CB	706.11	704.22	254.00	0.50
EX CB1	2094121.49	1109229.92	CB	705.64	702.93		
EX MH7	2094449.93	1108943.32	MH	708.46	706.06	184.00	0.95
EX CB2	2094313.69	1109065.15	CB	706.11	704.28		
INL10	2094109.83	1108990.07	INL A	707.55	705.09	150.00	0.66
EX CB3	2093992.04	1109085.33	CB	706.58	704.58		
EX MH8	2094314.98	1108793.09	MH	709.42	707.09	285.00	0.52
INL10	2094110.18	1108983.87	INL A	707.59	705.59		

STORM SEWER SCHEDULE

STRUCTURE DATA							SEWER DATA		
STRUCTURE NUMBER	NORTHING	EASTING	STRUCTURE TYPE	DIAMETER (IN.)	RIM ELEVATION	INVERT ELEVATION	PAY LENGTH (FT.)	SIZE (IN.)	SLOPE %
INL 10	2094109.83	1108990.07	INL A	24	707.55	704.85	98.0	12	0.37
EX CB4	2094178.63	1108917.03	CB	EX	707.37	704.47			
INL 11	2094355.16	1109518.98	INL A	24	705.15	702.17	66.0	12	0.90
MH 12	2094327.08	1109456.00	M.H.	48	704.59	701.37	62.0	12	2.17
FES 10	2094287.23	1109484.36	F.E.S.	12		700.00			



HANSON PROFESSIONAL SERVICES INC.
815 Commerce Drive, Suite 200
Oak Brook, Illinois 60523
Telephone: 630.990.3800
Fax: 630.990.3801



3580 North McAree Road
Waukegan, Illinois 60087
Phone: 847.244.0055
Fax: 847.244.3813

REPAIR SELECTED PAVEMENT AREAS, REHABILITATE HANGAR TAXILANES AND SERVICE ROAD, AND CONSTRUCT NEW HANGAR PAVEMENTS

A.I.P. PROJ.: 3-17-0106-B30
IL. PROJ.: UGN-3449

No.	Drawing Issue Description	Date	By

Date
MAY 06, 2005
Sheet Title

DRAINAGE DETAILS AND DRAINAGE SCHEDULES

831-04TXD
Project Number
SJM 3/1/05
Layout By Date
SJM 3/1/05
Designed By Date
TMM/RMH 04/11/05
Reviewed By Date
SJM
Drawn By

DETAILS SHOWN ARE NOT TO SCALE

05/06/2005 09:24 PM SJM I:\04\job\008183\04TXD\DWG\SHEDT68 Drainage Details_02.dgn