

STATE OF ILLINOIS
DEPARTMENT OF TRANSPORTATION

FAI R.T.E.	SECTION	COUNTY	TOTAL SHEETS	SHEET NO.
070	60-(11,12)CJS-1	MADISON	10	1
		ILLINOIS	CONTRACT NO. 76M65	

FOR INDEX OF SHEETS, SEE SHEET NO. 2

PROPOSED HIGHWAY PLANS

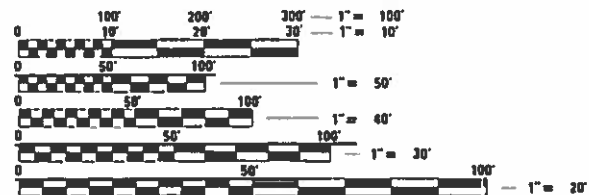
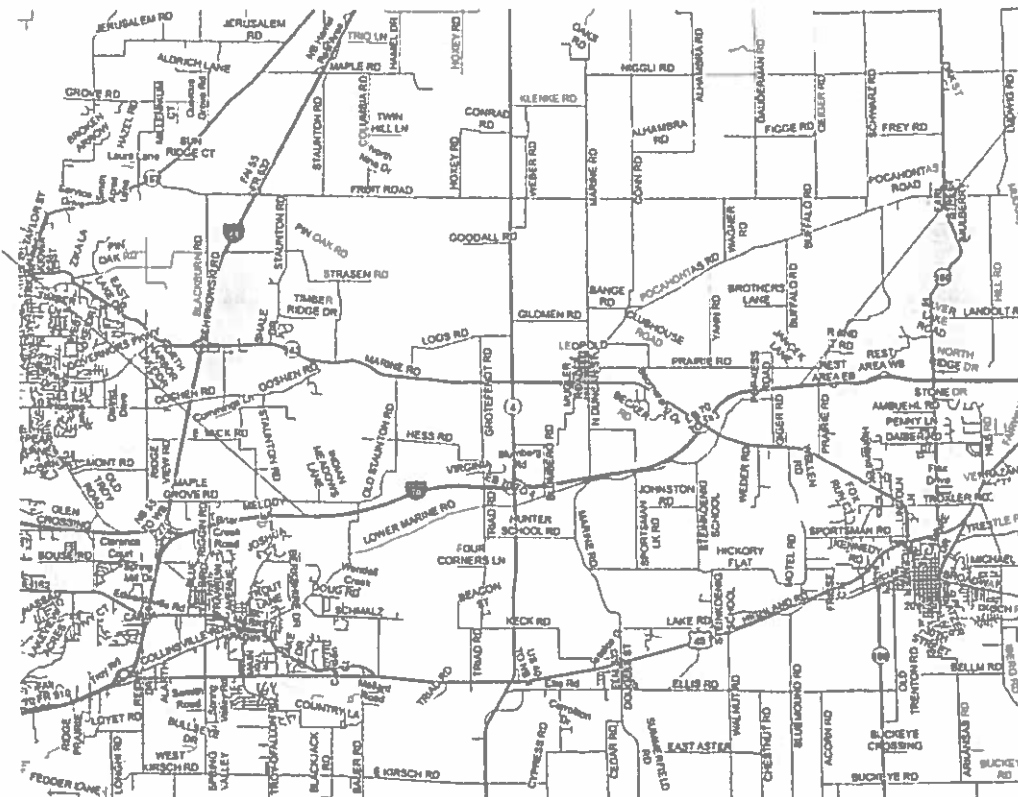
FAI ROUTE 70 (I-070)
SECTION 60-(11,12)CJS-1
PROJECT NHPP-0CVC(928)
CRACK AND JOINT SEAL
MADISON COUNTY

C-98-098-19



BEGIN PROJECT
2.5 MILES E I-55/270
LAT: 38.7556353
LONG: -89.8611206

END PROJECT
0.1 MILES W PRAIRIE RD
LAT: 38.765845
LONG: -89.709770



FULL SIZE PLANS HAVE BEEN PREPARED USING STANDARD ENGINEERING SCALES. REDUCED SIZED PLANS WILL NOT CONFORM TO STANDARD SCALES. IN MAKING MEASUREMENTS ON REDUCED PLANS, THE ABOVE SCALES MAY BE USED.

J.U.L.I.E.
JOINT UTILITY LOCATION INFORMATION FOR EXCAVATORS
1-800-892-0123
OR 811

PROJECT ENGINEER: HERVE GELIN (618) 346-3179
PROJECT MANAGER: BILLIE OWEN (618) 346-3209

GROSS LENGTH = 48417.6 FT. = 9.17 MILE
NET LENGTH = 47318.9 FT. = 8.96 MILE

CONTRACT NO. 76M65

D-98-079-19



LOCATION OF SECTION INDICATED THUS: - [black rectangle] -

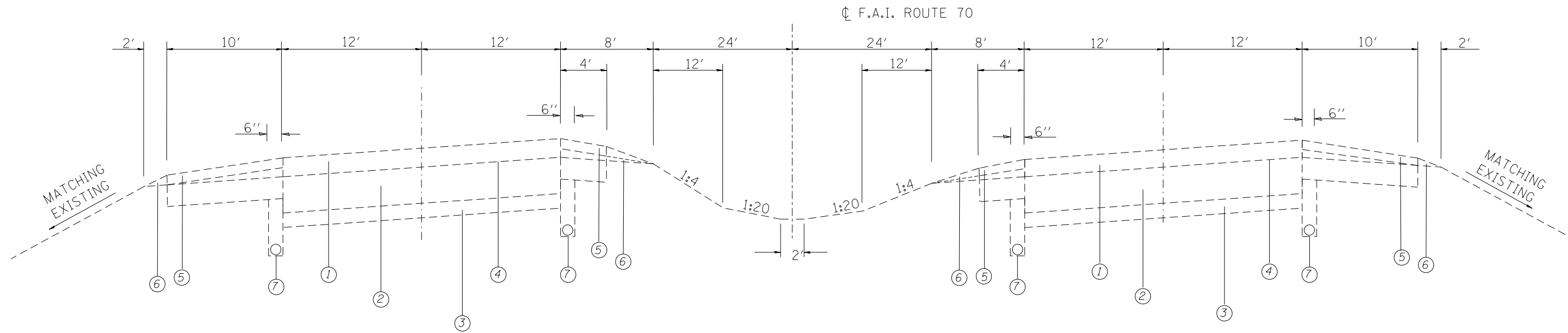
STATE OF ILLINOIS
DEPARTMENT OF TRANSPORTATION

SUBMITTED May 31 2019
Keith Roberts
REGIONAL ENGINEER

June 14 2019
[Signature]
ENGINEER OF DESIGN AND ENVIRONMENT

June 14 2019
[Signature]
DIRECTOR OF HIGHWAYS PROJECT IMPLEMENTATION

PRINTED BY THE AUTHORITY
OF THE STATE OF ILLINOIS



TYPICAL SUPERELEVATED SECTION

Sta. 1332+20.10 to Sta. 1347+63.00 WB
 Sta. 1337+70.54 to Sta. 1395+01.69 EB
 Sta. 1374+53.68 to Sta. 1392+87.96 WB
 Sta. 1427+88.74 to Sta. 1456+19.13
 Sta. 1527+32.77 to Sta. 1543+29.21
 Sta. 1551+80.57 to Sta. 1565+75.06
 Sta. 1569+31.92 to Sta. 1588+00.00

LEGEND

- ① EXISTING POLY-HMA SURFACE COURSE SMA, N80, 5"
- ② EXISTING CONTINUOUSLY REINFORCED P.C.C. PAVEMENT, 8"
- ③ EXISTING STABILIZED SUB-BASE, 4"
- ④ EXISTING POLY-BITUMINOUS PRIME COAT
- ⑤ EXISTING HMA SHOULDERS (2 1/2")
- ⑥ EXISTING AGGREGATE SHOULDER, TYPE B
- ⑦ EXISTING PIPE UNDERDRAINS
- ⑧ EXISTING STABILIZED SHOULDER

MODEL: \\MODELNAME
 FILE: \\NAME.Plot
 \\server\home\m.d.a\illinois.gov\PIWDOT\Documents\DOT_Offices\District 8\Projects\ID76M65\CADD\Drawings\CADD\Drawings\ID76M65-Sub-Plans.dgn

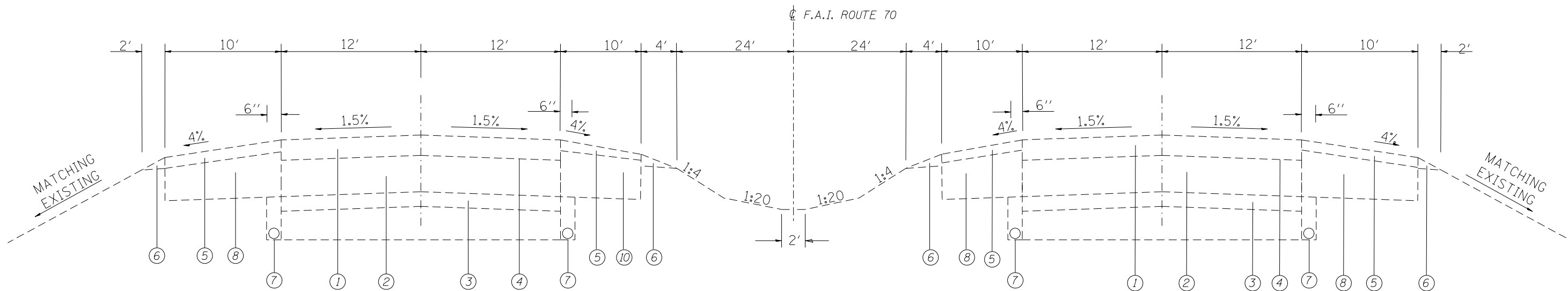
USER NAME = agboolato	DESIGNED -	REVISED -
	DRAWN -	REVISED -
PLOT SCALE = 100.0000' / in.	CHECKED -	REVISED -
PLOT DATE = 5/31/2019	DATE -	REVISED -

STATE OF ILLINOIS
 DEPARTMENT OF TRANSPORTATION

TYPICAL SECTIONS

SCALE: SHEET 2 OF 3 SHEETS STA. TO STA.

F.A.I. RTE.	SECTION	COUNTY	TOTAL SHEETS	SHEET NO.
070	60-(11,12)CJS-1	MADISON	5	10
CONTRACT NO. 76M65				
ILLINOIS FED. AID PROJECT				



TYPICAL SECTION

- Sta. 1083+86 to Sta. 1093+86 EB
- Sta. 1084+06 to Sta. 1094+06 WB
- Sta. 1222+53 to Sta. 1232+53 EB
- Sta. 1222+54 to Sta. 1232+54 WB
- Sta. 1288+05 to Sta. 1298+05 EB
- Sta. 1288+46 to Sta. 1298+46 WB
- Sta. 1402+67 to Sta. 1412+67 EB
- Sta. 1402+59 to Sta. 1412+59 WB

LEGEND

- ① EXISTING POLY-HMA SURFACE COURSE SMA, N80, 5"
- ② EXISTING CONTINUOUSLY REINFORCED P.C.C. PAVEMENT, 8"
- ③ EXISTING STABILIZED SUB-BASE, 4"
- ④ EXISTING POLY-BITUMINOUS PRIME COAT
- ⑤ EXISTING HMA SHOULDERS (2 1/2")
- ⑥ EXISTING AGGREGATE SHOULDER, TYPE B
- ⑦ EXISTING PIPE UNDERDRAINS
- ⑧ EXISTING STABILIZED SHOULDER

MODEL: SH06ELNAMES
 FILE NAME: Proj\pblncom\ad\illinois\gis\pbl\DOT\Documents\DOT_Offices\District 8\Projects\07\76M65\CADData\CADsheets\07\76M65-ht-pln.dgn

USER NAME = agboolato	DESIGNED -	REVISED -
	DRAWN -	REVISED -
PLOT SCALE = 100.1123' / in.	CHECKED -	REVISED -
PLOT DATE = 5/31/2019	DATE -	REVISED -

STATE OF ILLINOIS
DEPARTMENT OF TRANSPORTATION

TYPICAL SECTIONS

SCALE: SHEET 3 OF 3 SHEETS STA. TO STA.

F.A.I. RTE.	SECTION	COUNTY	TOTAL SHEETS	SHEET NO.
070	60-(11.12)C/S-1	MADISON	6	10
CONTRACT NO. 76M65			ILLINOIS FED. AID PROJECT	

MODEL: I:\MODEL\M65
 FILE: M65 - Proj\Illinois\m65.dwg
 PROJECT: I:\Projects\DOT\76M65\CADD\Drawings\DOT\76M65-Sub-Structure.dwg

170 EB							CRACK ROUTING	CRACK FILLING
Station	TO	Station	Transverse		Longitudinal	23868		
			Passing	Driving	Left, Right, &			
1028+40				12				
1048+00				12				
1071+00				12				
1075+00				12				
1094+00		1095+00			100			
1107+96		1109+83	BRIDGE OMISSION					
1127+00			12	12	5247	5271	1739.43	
1127+32		1128+52	BRIDGE OMISSION					
1128+50			12	12				
1137+00		1137+20			20			
1141+00			12					
1150+00		1150+20			20			
1155+00			12	12		9574	3159.42	
1160+10		1161+03	BRIDGE OMISSION					
1165+00				12				
1216+00				12				
1234+00				12				
1265+00			12	12				
1281+00				12				
1309+00			12			59529	19644.57	
1359+18		1360+65	BRIDGE OMISSION					
1361+40			12	12				
1417+00				12				
1427+89		1503+23	STATION EQUATION					
1577+50				12				
1588+00			12	12		45675	15072.75	
TOTAL				288	143777	144065	47541.45	

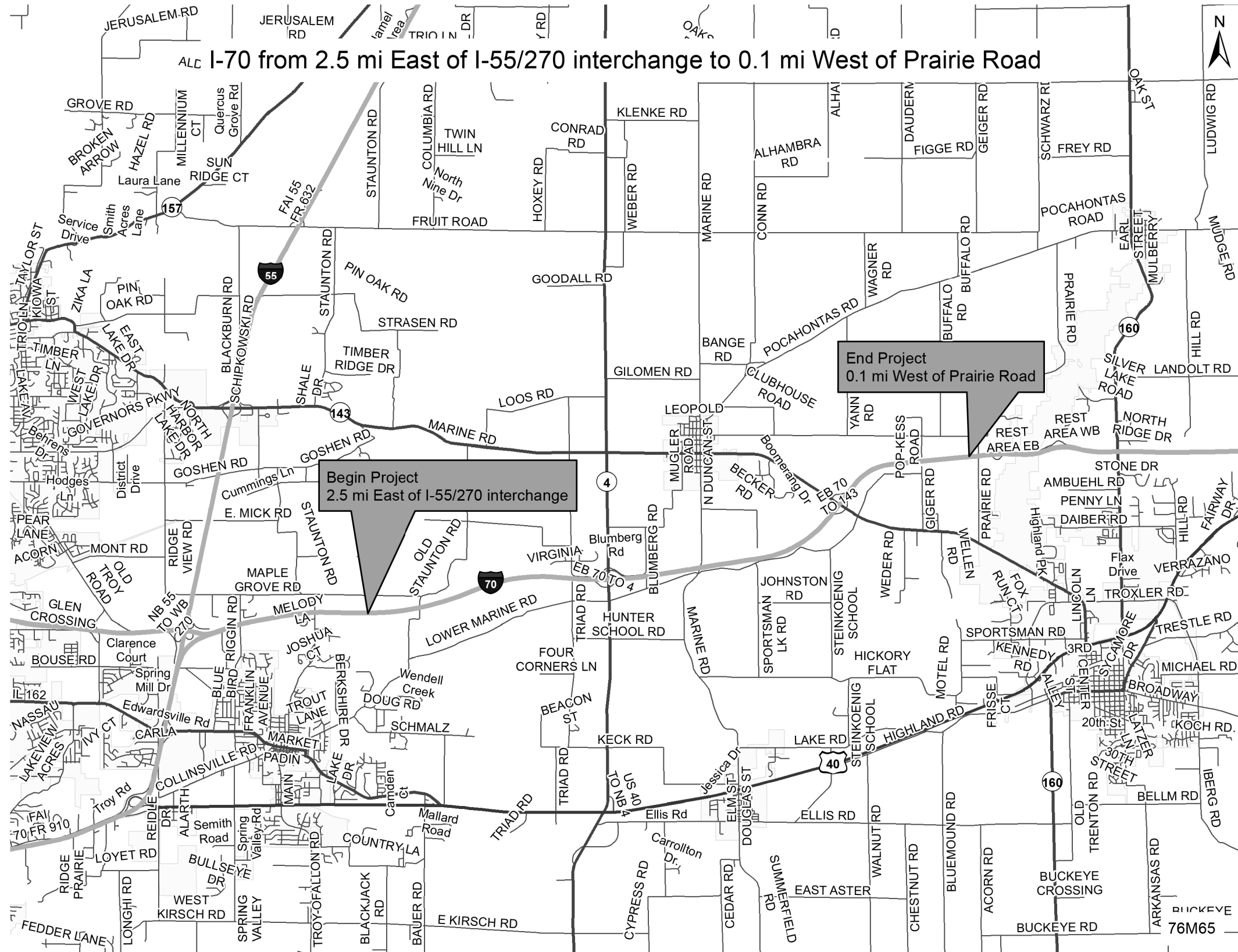
USER NAME = agboolato	DESIGNED -	REVISED -
	DRAWN -	REVISED -
PLOT SCALE = 100.0000' / in.	CHECKED -	REVISED -
PLOT DATE = 5/31/2019	DATE -	REVISED -

**STATE OF ILLINOIS
 DEPARTMENT OF TRANSPORTATION**

SCHEDULE OF QUANTITIES

SCALE: SHEET 1 OF 2 SHEETS STA. TO STA.

F.A.J RTE.	SECTION	COUNTY	TOTAL SHEETS	SHEET NO.
070	60-(11,12)CJS-1	MADISON	10	7
CONTRACT NO. 76M65			ILLINOIS FED. AID PROJECT	



MODEL: SH00DELINAMES
 FILE NAME: Proj\pblmcom\dat\Illinois\gpr\PIU\DOT\Documents\IUDT_Offices\Dist\it @Projects\I07\76M65\CAD\DATA\CAD\Sheets\I07\76M65-5-hh-hh-hh.dgn

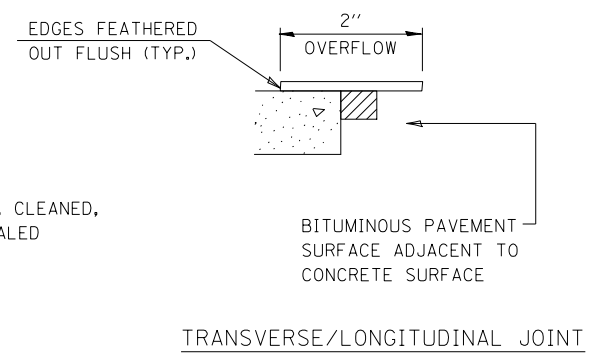
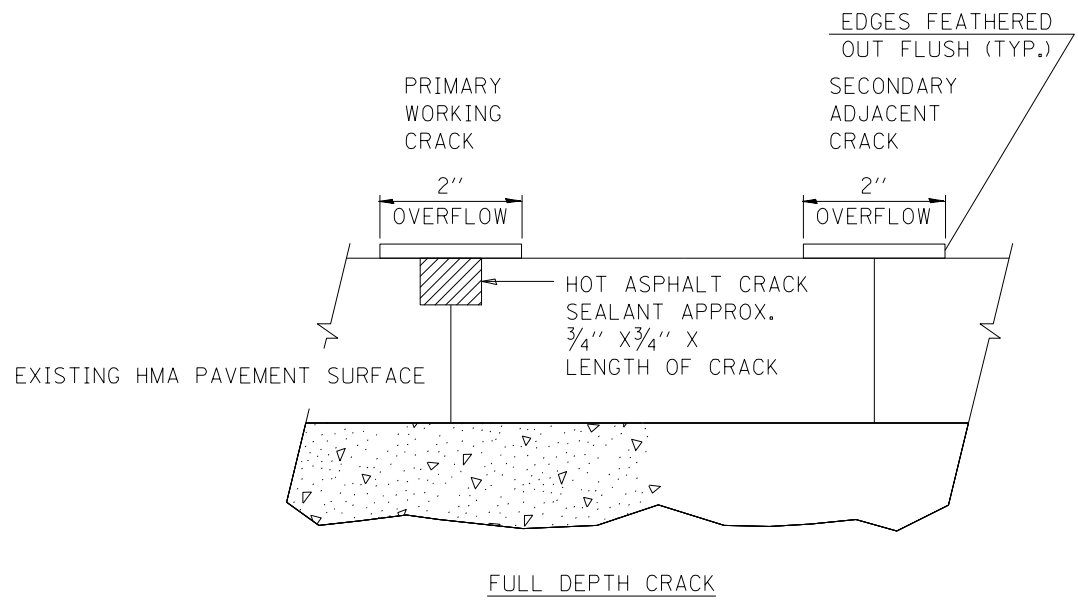
USER NAME = agboolato	DESIGNED -	REVISED -
	DRAWN -	REVISED -
PLOT SCALE = 100.1123' / in.	CHECKED -	REVISED -
PLOT DATE = 5/31/2019	DATE -	REVISED -

**STATE OF ILLINOIS
DEPARTMENT OF TRANSPORTATION**

LOCATION MAPS

SCALE: SHEET 1 OF 3 SHEETS STA. TO STA.

F.A.I. RTE.	SECTION	COUNTY	TOTAL SHEETS	SHEET NO.
070	60-(11.12)C/S-1	MADISON	9	10
CONTRACT NO. 76M65				
ILLINOIS FED. AID PROJECT				



CRACK & JOINT SEALING DETAILS

MODEL: SH0DE1NAME1
 FILE NAME: Proj:\pblm\room\dat\illinois\gis\p\WIDOT\Documents\DOT_Offices\District 8\Projects\076M65\CAD\Drawings\076M65-sh0de1name1.dgn

USER NAME = agboolato	DESIGNED -	REVISED -
	DRAWN -	REVISED -
PLOT SCALE = 100.1123' / in.	CHECKED -	REVISED -
PLOT DATE = 5/31/2019	DATE -	REVISED -

**STATE OF ILLINOIS
DEPARTMENT OF TRANSPORTATION**

CRACK AND JOINT SEALING DETAIL

SCALE: SHEET 1 OF 3 SHEETS STA. TO STA.

F.A.I RTE.	SECTION	COUNTY	TOTAL SHEETS	SHEET NO.
070	60-(11.12)C/S-1	MADISON	10	10
CONTRACT NO. 76M65				
ILLINOIS FED. AID PROJECT				