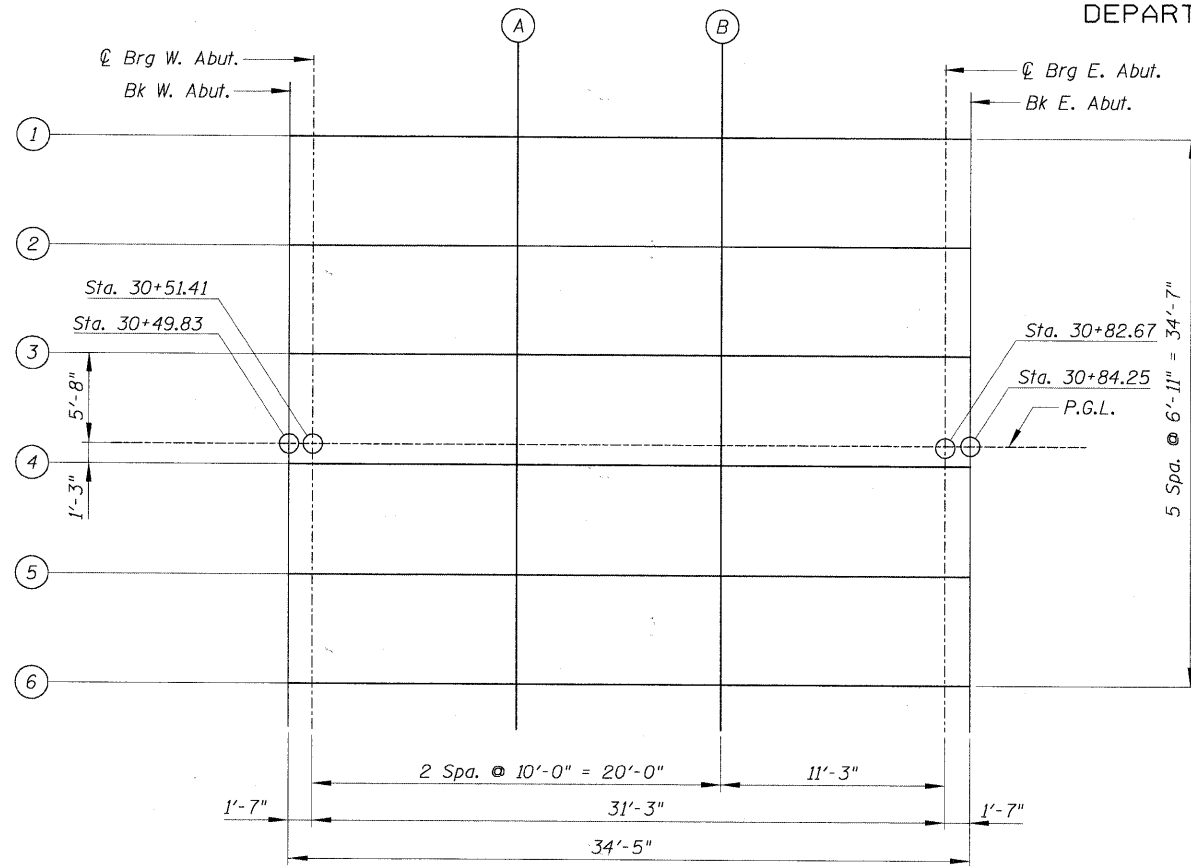
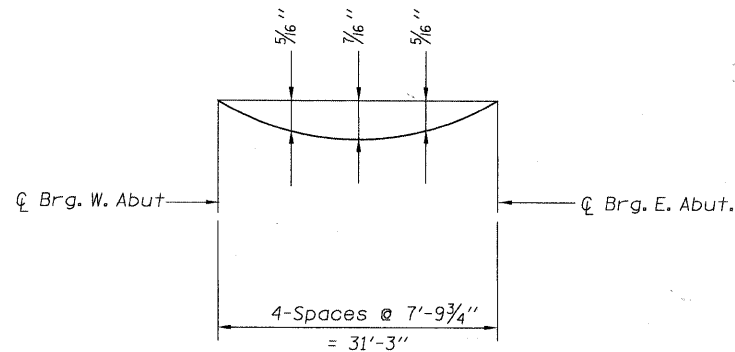


STATE OF ILLINOIS
DEPARTMENT OF TRANSPORTATION

866



DECK PLAN



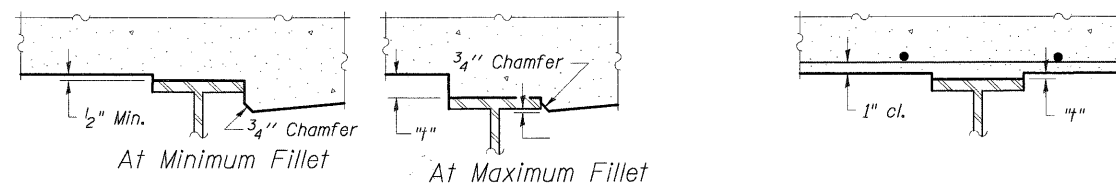
DEAD LOAD DEFLECTION DIAGRAM

(Includes Weight of Concrete Deck And All Superimposed Dead Load Except Future Wearing Surfaces)

NOTE:

- The deflections given above are not to be used in the field if the Engineer is working from the grade elevations adjusted for dead load deflection as shown on Sheet S-4.
- Offsets Are Positive South Of The Profile Gradeline.

DESIGNED -	200
CHECKED -	EXAMINED
DRAWN -	PASSED
CHECKED -	ENGINEER OF BRIDGES AND STRUCTURES



EXTERIOR BEAMS

INTERIOR BEAM

NOTE:

To determine "t": After all structural steel has been erected, elevations of the top flanges of the beams shall be taken at intervals shown above. These elevations subtracted from the "Theoretical Grade Elevations Adjusted for Dead Load Deflection" shown on Drawing No. S-4 minus slab thickness, equals the fillet heights "t" above top flange of beams.

FILLET HEIGHTS

(Sheet 1 of 2)
TOP OF DECK ELEVATIONS
WHITEHALL AVENUE OVER
ADDISON CREEK
F.A. RTE. 4025
SECTION 09-00071-00-BR
COOK COUNTY
STATION 30+67.04
STRUCTURE No. 016-7618

SHEET NO. S-3 SHEETS	F.A. RTE.	SECTION	COUNTY	TOTAL SHEETS	SHEET NO.
	4025	09-00071-00-BR	COOK	31	15
CONTRACT NO. 63437					
FED. ROAD DIST. NO.		ILLINOIS FED. AID PROJECT			