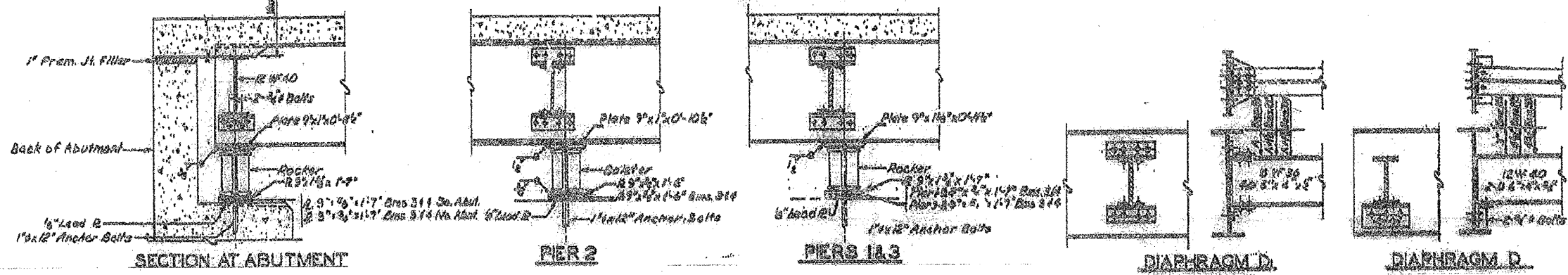
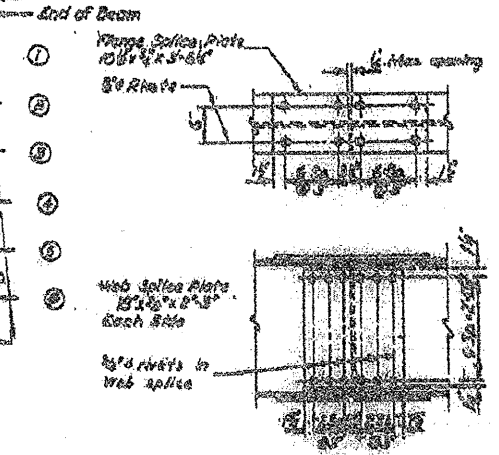
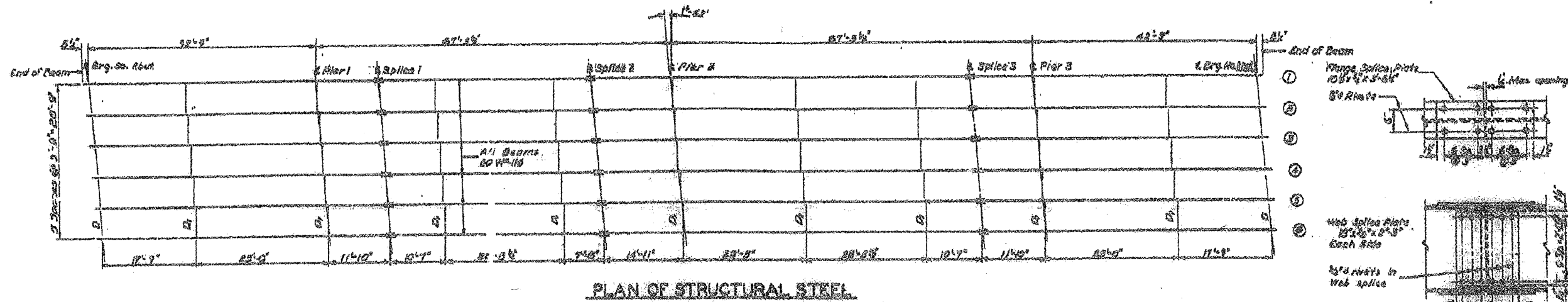


# Location 4 S.N. 090-0084 Framing Plan Information Only



Note: All rivet holes to be reamed with all parts assembled to grade and all parts match marked.

Note; All bearing have been replaced see next sheet for details.

FILE NAME = Copy of 68398.dgn	USER NAME = inglistj	DESIGNED -	REVISED -	<b>STATE OF ILLINOIS DEPARTMENT OF TRANSPORTATION</b>		F.A. RTE.	SECTION	COUNTY	TOTAL SHEETS	SHEET NO.
		DRAWN -	REVISED -			1108-10-1430-18-002.3.011-1	TOZEWELL	15	15	
		PLOT SCALE = 1/8" = 1' / IN.	CHECKED -							CONTRACT NO. 68991
		PLOT DATE = 4/14/2010	DATE -							ILLINOIS FED. AID PROJECT
					SCALE:	SHEET NO. OF SHEETS STA. TO STA.				