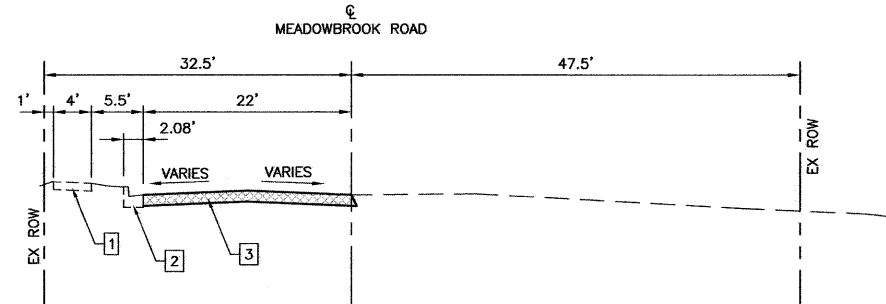


EXISTING TYPICAL SECTION
 STA 9+23.64 TO STA 10+81.14 IS
 INTERSECTION OF ILES AVENUE AND
 WILL GET NEW COMBINATION CONCRETE
 CURB AND GUTTER TYPE B-6.18 AND
 HOT-MIX ASPHALT PAVEMENT (FULL-DEPTH) 10"
 ON SUB-BASE GRANULAR MATERIAL, TYPE A 12"



EXISTING TYPICAL SECTION
 MEADOWBROOK ROAD
 STA 10+81.14 TO STA 16+42.00

EXISTING TYPICAL SECTION
 MEADOWBROOK ROAD
 STA 16+42.00 TO STA 33+11.34
 NO EXISTING ROAD

EXISTING LEGEND

- 1 EX SIDEWALK TO REMAIN
- 2 EX CURB AND GUTTER TO REMAIN
- 3 EX PAVEMENT TO BE REMOVED

MEADOWBROOK ROAD STA 9+23.64 TO STA 10+81.14

FULL DEPTH PAVEMENT CONSTRUCTION

| HOT-MIX ASPHALT MIXTURE REQUIREMENTS | | | | |
|--------------------------------------|------------------------|---------------|---------------|----------|
| ITEM | AGGREGATE COMPOSITION | ASPHALT GRADE | ALLOWABLE RAP | VOIDS |
| LOWER LIFTS BINDER 8" | IL-19.0 OR 25.0 | PG 64-22 | TBD | 4% @ N70 |
| SURFACE COURSE 2" | IL-9.5 OR 12.5 MIX 'D' | PG 64-22 | TBD | 4% @ N70 |

HMA STRUCTURE DESIGN INFORMATION

DESIGN TRAFFIC (10,300): (2027)
 P.V. = 9,476 S.U. = 721 M.U. = 103
 T.F. = 1.32 (80K)
 DESIGN STRAIN = 97.5
 E = 540 (P.G. 64-22)
 SSR : FAIR
 TOTAL THICKNESS : 10" FULL DEPTH HMA
 CONSTRUCT : 2" HOT-MIX ASPHALT SURFACE
 8" HOT-MIX ASPHALT BINDER

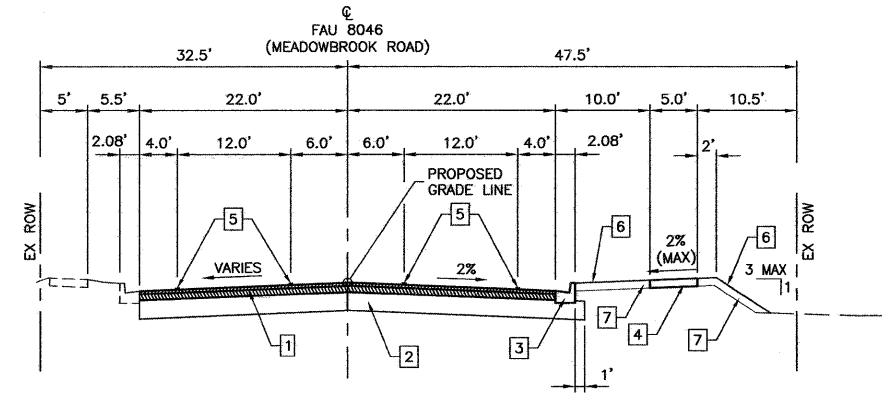
MEADOWBROOK ROAD STA 10+81.14 TO STA 33+11.34

FULL DEPTH PAVEMENT CONSTRUCTION

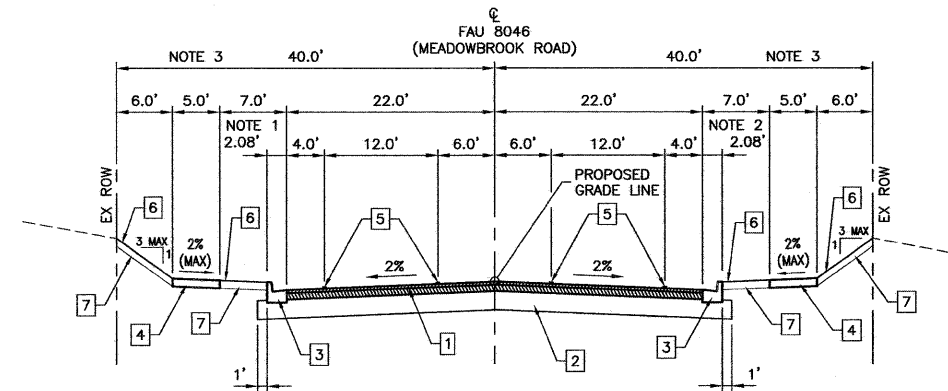
| HOT-MIX ASPHALT MIXTURE REQUIREMENTS | | | | |
|--------------------------------------|------------------------|---------------|---------------|----------|
| ITEM | AGGREGATE COMPOSITION | ASPHALT GRADE | ALLOWABLE RAP | VOIDS |
| LOWER LIFT BINDER 4" | IL-19.0 | PG 64-22 | TBD | 4% @ N50 |
| TOP LIFT BINDER 2 1/2" | IL-19.0 | SBS PG 70-22 | TBD | 4% @ N50 |
| SURFACE COURSE 2" | IL-9.5 OR 12.5 MIX 'C' | SBS PG 70-22 | TBD | 4% @ N50 |

HMA STRUCTURE DESIGN INFORMATION

DESIGN TRAFFIC (1,405): (2020)
 P.V. = 1,377 S.U. = 14 M.U. = 14
 T.F. = 0.07
 DESIGN STRAIN = 333
 E = 526 (P.G. 70-22 OR P.G. 64-22)
 SSR : POOR
 TOTAL THICKNESS : 8 1/2" FULL DEPTH HMA
 CONSTRUCT : 2" HOT-MIX ASPHALT SURFACE
 6 1/2" HOT-MIX ASPHALT BINDER



PROPOSED TYPICAL SECTION
 MEADOWBROOK ROAD
 STA 10+81.14 TO STA 16+41.97



PROPOSED TYPICAL SECTION
 MEADOWBROOK ROAD
 STA 16+41.97 TO STA 33+11.34

PROPOSED LEGEND

- 1 HMA PAVEMENT (FULL-DEPTH) 8 1/2"
- 2 PR LIME MODIFIED SOIL MIXTURE 12"
- 3 PR COMBINATION CONCRETE CURB AND GUTTER, TYPE B-6.18
- 4 PR PORTLAND CEMENT CONCRETE SIDEWALK 4"
- 5 PR THERMOPLASTIC PAVEMENT MARKING
- 6 PR SEEDING, CLASS 2A AND MULCH, METHOD 2
- 7 PR TOPSOIL FURNISH AND PLACE, 4"

NOTE 1: SIDEWALK EDGE IS 4.25' OFF EDGE OF PAVEMENT FROM STA 16+55.62 TO STA 18+24.44 AND VARIES FROM 4.25' TO 7.0' OFF EDGE OF PAVEMENT FROM STA 18+24.44 TO STA 19+16.15

NOTE 2: SIDEWALK EDGE IS 10.00' OFF EDGE OF PAVEMENT TO STA 18+22.44 AND VARIES FROM 10.0' TO 7.0' OFF EDGE OF PAVEMENT FROM STA 18+22.44 TO STA 19+16.15

NOTE 3: STA 17+00.00 TO STA 19+16.15 ROW TRANSITION FROM 32.50' LEFT TO 40.00' LEFT AND FROM 47.50' RIGHT TO 40.00' RIGHT. ROADWAY AND CURBS REMAIN SYMMETRICAL ABOUT CENTERLINE

| | | |
|--------|-------------------|----------------------------------|
| 2" | SURFACE LIFT | HMA PAVEMENT (FULL-DEPTH) 8 1/2" |
| 2 1/2" | TOP LIFT BINDER | |
| 4" | LOWER LIFT BINDER | |
| 12" | IMPROVED SUBGRADE | |

| | | | |
|---|----------------------------------|------------------|---------|
| SHEET TITLE | | TYPICAL SECTIONS | |
| PROJECT | FAU RTE. 8046 (MEADOWBROOK ROAD) | PROJECT NO. | 09040 |
| SECTION | 09-00465-00-PV | SCALE | |
| | CITY OF SPRINGFIELD | DATE | 4/19/10 |
| | SANGAMON COUNTY | DRAWN BY | PPW |
| | | CHECKED BY | |
| Coombe-Bloxdorf P.C. -CIVIL ENGINEERS- -STRUCTURAL ENGINEERS- -LAND SURVEYORS- Phone: 217/544-8477 Design Firm License No. 184-002703 755 South Grand Ave. W, Springfield, IL 62704 | | DRAWING NO. | 4 |
| | | OF 30 | SHTS |