

F.A. RTE.	SECTION	COUNTY	TOTAL SHEETS	SHEET NO.
VAR	DIST 8 ITS 2021-2	VARIOUS	5	1
		ILLINOIS	CONTRACT NO. 76N59	

07-30-2021 LETTING ITEM 039

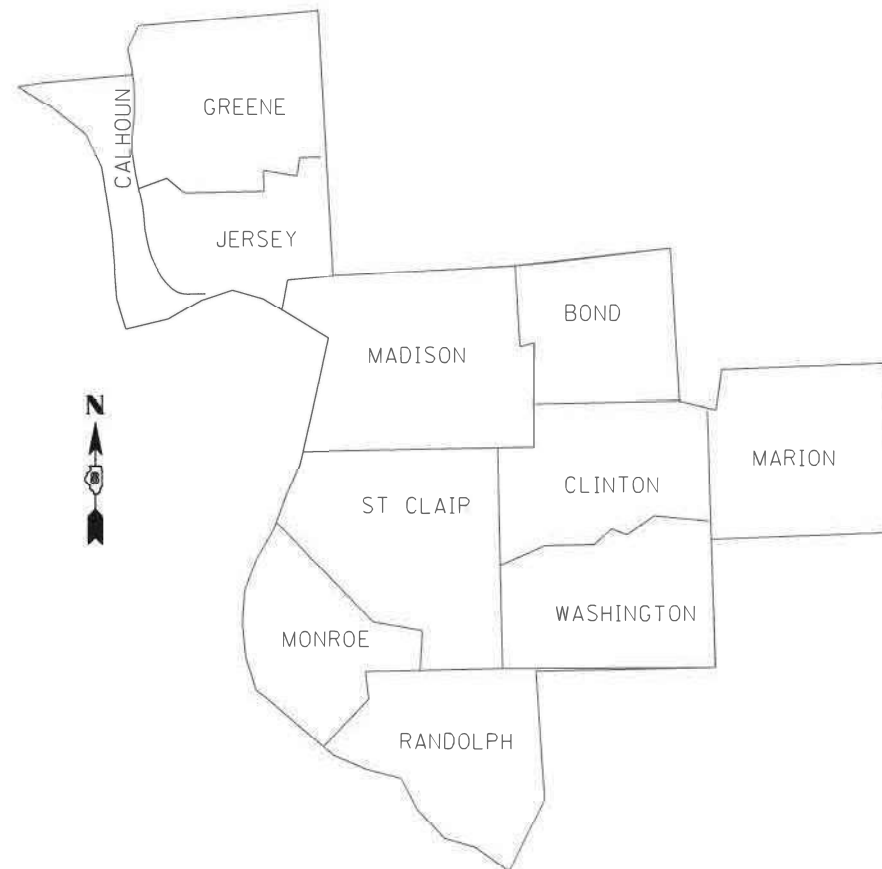
STATE OF ILLINOIS  
DEPARTMENT OF TRANSPORTATION

**PROPOSED  
HIGHWAY PLANS**

**VARIOUS ROUTES  
SECTION DIST 8 ITS 2021-2  
MAINTAIN & SERVICE  
ALL ITS EQUIPMENT AND DMS REPLACEMENT  
VARIOUS COUNTIES**

C-98-033-22

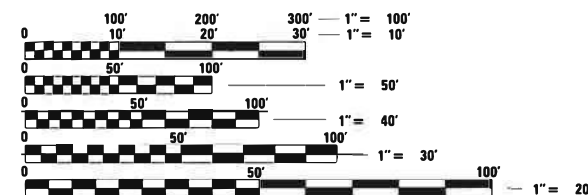
D-98-005-22



NOTE: WORK CAN BE LOCATED WITHIN ANY OF THE ABOVE NOTED COUNTIES  
WITHIN DISTRICT 8/REGION 5.

**INDEX OF SHEETS:**

- 1 - COVER SHEET
- 2 - SUMMARY OF QUANTITIES
- 3 - GENERAL NOTES/WORK ORDER FORM/  
HIGHWAY STANDARDS
- 4 - TYPE 334 CABINET DETAIL
- 5 - TRUSS MOUNTED LED DYNAMIC MESSAGE SIGN



FULL SIZE PLANS HAVE BEEN PREPARED USING STANDARD  
ENGINEERING SCALES. REDUCED SIZED PLANS WILL NOT  
CONFORM TO STANDARD SCALES. IN MAKING MEASUREMENTS  
ON REDUCED PLANS, THE ABOVE SCALES MAY BE USED.

J.U.L.I.E.  
JOINT UTILITY LOCATION INFORMATION FOR EXCAVATORS  
1-800-892-0123  
OR 811

**PROJECT ENGINEER:** CHERYL KEPLAR (618) 346-3123  
**PROJECT MANAGER:** MICHAEL PRESTON (618) 346-3143

**CONTRACT NO. 76N59**

STATE OF ILLINOIS  
DEPARTMENT OF TRANSPORTATION

SUBMITTED March 18, 2021  
Keith Roberts  
REGIONAL ENGINEER

May 7, 2021 Jack A. Elk  
ENGINEER OF DESIGN AND ENVIRONMENT

May 7, 2021 Jessie J. Gu  
DIRECTOR OF HIGHWAYS PROJECT IMPLEMENTATION 13

**PRINTED BY THE AUTHORITY  
OF THE STATE OF ILLINOIS**

CODE NO.	ITEM	UNIT	TOTAL QUANTITY	CONSTRUCTION CODE	
				0021 URBAN	DMS 0021 URBAN
70100800	TRAFFIC CONTROL AND PROTECTION, STANDARD 701401	L SUM	1		1
70100815	TRAFFIC CONTROL AND PROTECTION, STANDARD 701446	L SUM	1		1
70200100	NIGHT WORK ZONE LIGHT	L SUM	1		1
* X0327495	JOURNEYMAN ELECTRICIAN	HOUR	2100	2100	
* X0327496	APPRENTICE ELECTRICIAN	HOUR	250	250	
* X0327497	PICK-UP TRUCK	HOUR	1800	1800	
* X0327500	ARROWBOARD (TRAILER MOUNTED)	HOUR	100	100	
* X0327587	ITS EQUIPMENT CONTROL TECHNICIAN	HOUR	1500	1500	
* X0327983	ITS EQUIPMENT CONTROL TECHNICIAN REMOTE SUPPORT	HOUR	170	170	
* X0323917	CABINET MODEL 334	EACH	1		1
* X0325485	TRUSS MOUNTED LED DYNAMIC MESSAGE SIGN	EACH	1		1

\* REQUIRES SPECIAL PROVISION

MODIFIED: 06/23/2021  
 FILE NAME: \\p1\al\anroom\06\illinois\06\11\DOT\Documents\DOT\_Offices\Districts\District8\76N59\15.dgn

USER NAME = prestommo	DESIGNED -	REVISED -
PLOT SCALE = 100,0000 / 1 in.	DRAWN -	REVISED -
PLOT DATE = 6/23/2021	CHECKED -	REVISED -
	DATE -	REVISED -

**STATE OF ILLINOIS  
DEPARTMENT OF TRANSPORTATION**

SCALE:		SHEET 2 OF 3 SHEETS	STA.	TO STA.
--------	--	---------------------	------	---------

**SUMMARY OF QUANTITIES**

F.A. RTE.	SECTION	COUNTY	TOTAL SHEETS	SHEET NO.
VAR	DIST 8 ITS 2021-2	VARIOUS	5	2
ILLINOIS FED. AID PROJECT			CONTRACT NO. 76N59	

GENERAL NOTES

1. THE LOCATIONS OF THE REPAIR AREAS SHALL BE DETERMINED BY THE ENGINEER.
2. NO MATERIAL SHALL BE LEFT ON OR NEAR THE ROADWAY DURING NON-WORKING HOURS.
3. ANY NECESSARY TRAFFIC CONTROL FOR ITS MAINTENANCE WILL BE PROVIDED BY THE CONTRACTOR. APPROPRIATE STANDARDS ARE LISTED BELOW.
4. ILLINOIS STATE LAW REQUIRES A 48-HOUR NOTICE TO BE GIVEN TO UTILITIES BEFORE DIGGING. FIELD MARKING OF FACILITIES MAY BE OBTAINED BY CONTACTING J.U.L.I.E. (1-800 892-0123 OR 811) OR FOR NON-MEMBERS THE UTILITY COMPANY DIRECTLY.
5. A FLAGGER SHALL BE REQUIRED AT ALL TIMES WHEN WORKERS OR EQUIPMENT ARE ENCROACHING ON THE LANE OF TRAFFIC.
6. WHEN NO WORK IS BEING PERFORMED, THE FLAGGERS WILL NOT BE REQUIRED. IF THE FLAGGERS ARE NOT PRESENT, THE FLAGGER SIGNS SHALL BE REMOVED OR COVERED.
7. ALL EXCAVATION ADJACENT TO THE EDGE OF PAVEMENT SHALL BE PROTECTED WITH THE EXTENDED LEG BARRICADES AND THE APPROPRIATE LIGHTS.
8. 45 & 55 MPH SIGNS ARE INCLUDED IN ALL INTERSTATE LANE CLOSURES. IF THE LANE CLOSURE DURATION IS LESS THAN 4 HOURS, THE 45 & 55 MPH SIGNS ARE NOT REQUIRED.
9. ANY WORK ORDER MAY BE CANCELLED AT THE ENGINEER'S DISCRETION.
10. NO OVERNIGHT LANE CLOSURES WILL BE ALLOWED, EXCEPT FOR THE REPLACEMENT OF THE DMS-SEE SPECIAL PROVISIONS.
11. THE PROPOSED CABINET SHALL BE INSTALLED AT THE SAME LOCATION AS THE EXISTING CABINET, ON THE EXISTING FOUNDATION, AS DIRECTED BY THE ENGINEER.

HIGHWAY STANDARDS

701001-02	701400-10	701446-11	701901-08
701006-05	701401-12	701451-05	
701106-02	701406-12	701456-05	
701201-05	701421-08	701601-09	
701206-05	701422-10	701606-10	
701301-04	701428-01	701701-10	



Work Order      **ITS 1**

Requested By: \_\_\_\_\_ Date: \_\_\_\_\_ Time: \_\_\_\_\_

Assigned To: \_\_\_\_\_ Received From: \_\_\_\_\_

Estimated Cost: \_\_\_\_\_

Location: \_\_\_\_\_

Problem: \_\_\_\_\_

Ref/Accident #: \_\_\_\_\_ Claim #: \_\_\_\_\_

Remarks: \_\_\_\_\_

Completed By: \_\_\_\_\_ Date/Time Completed: \_\_\_\_\_

REV. - MS

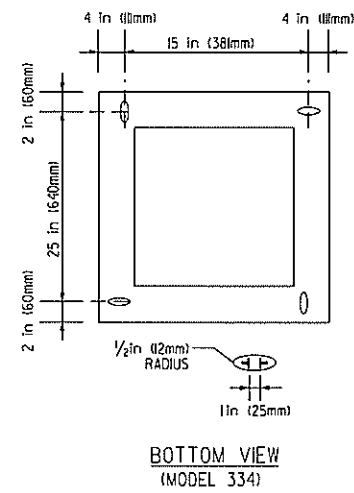
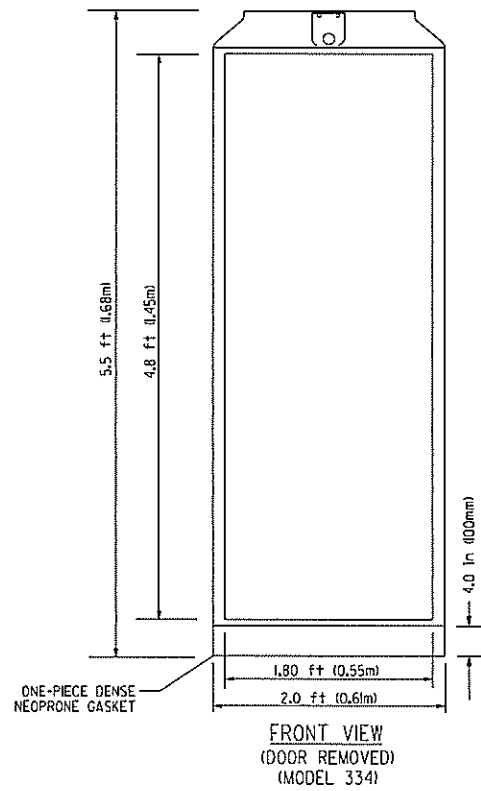
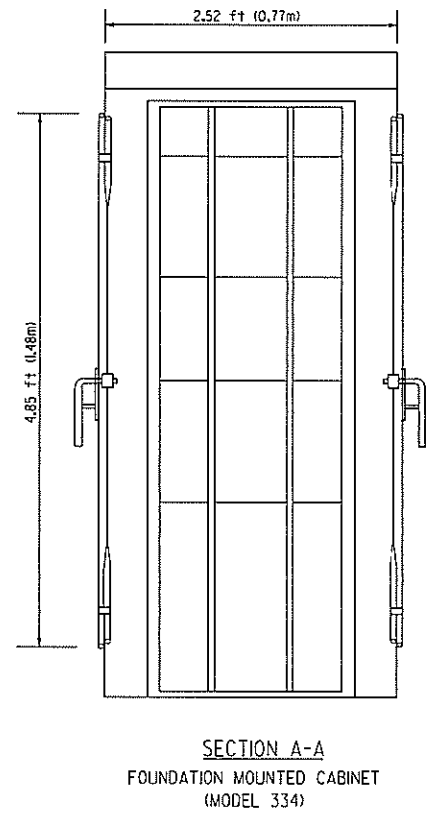
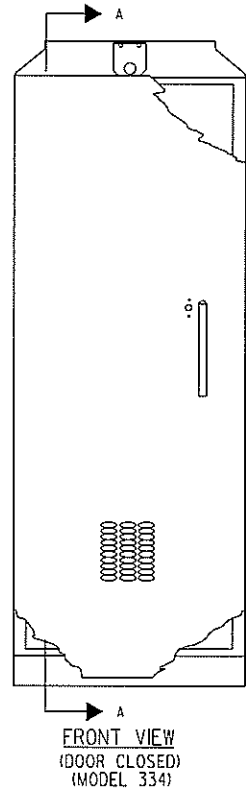
MODEL: I:\p\dwg\...  
 FILE NAME: I:\p\dwg\...

USER NAME = prestonne	DESIGNED -	REVISED -
PLOT SCALE = 100.0000 / in.	DRAWN -	REVISED -
PLOT DATE = 6/23/2021	CHECKED -	REVISED -
	DATE -	REVISED -

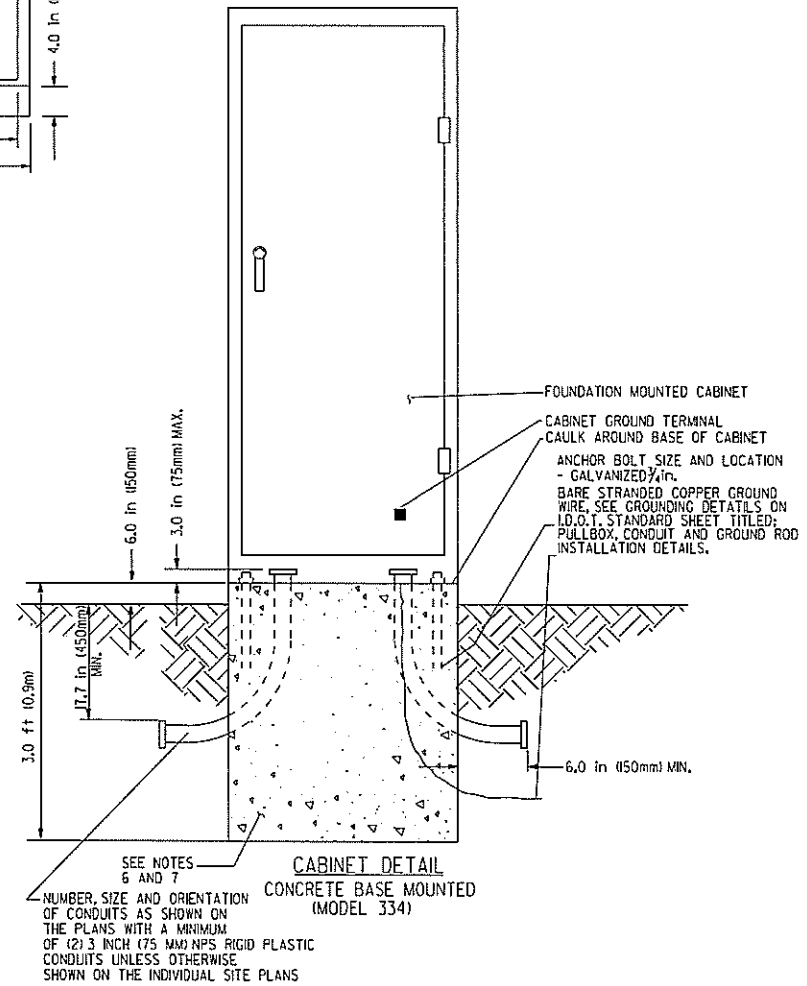
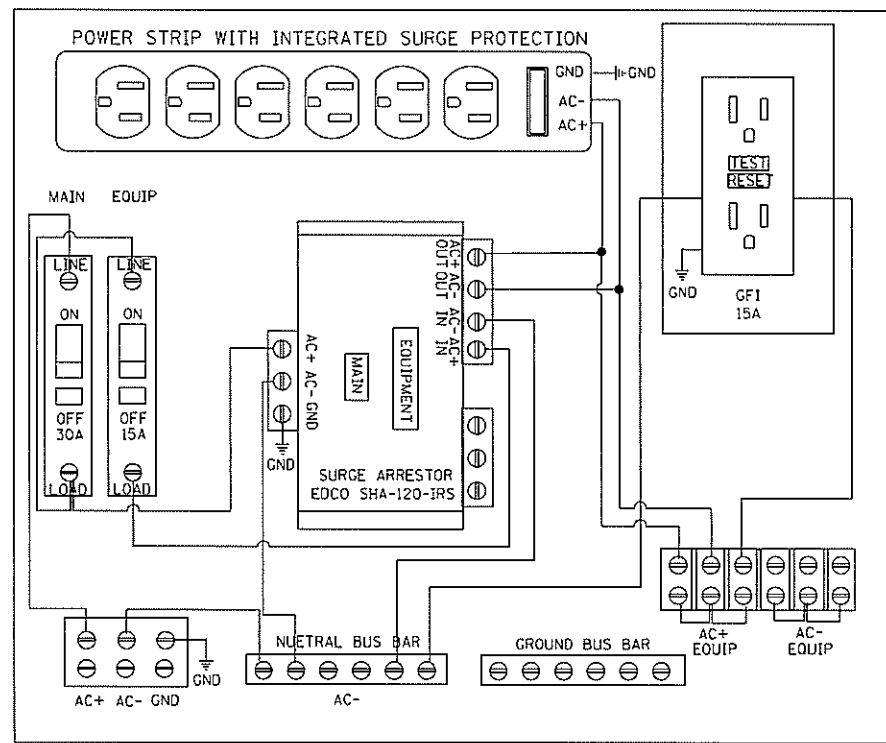
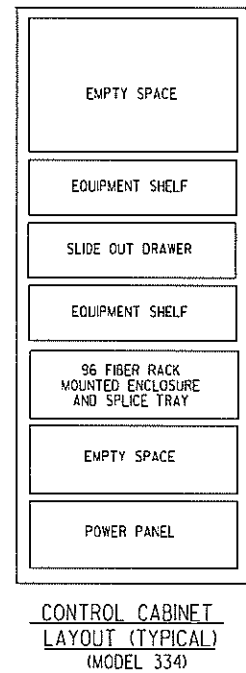
**STATE OF ILLINOIS  
DEPARTMENT OF TRANSPORTATION**

<b>GENERAL NOTES/ TYPICAL WORK ORDER FORMS</b>	
SCALE:	SHEET 3 OF 3 SHEETS STA. TO STA.

F.A. RTE.	SECTION	COUNTY	TOTAL SHEETS	SHEET NO.
VAR	DIST 8 ITS 2021-2	VARIOUS	5	3
CONTRACT NO. 76N59				
ILLINOIS FED. AID PROJECT				



- NOTES (MODEL 334 CABINET):**
- REFER TO SPECIAL PROVISIONS FOR CABINET DETAILS AND ADDITIONAL REQUIREMENTS.
  - CABINET ENTRIES INCLUDE VERTICAL ARRANGEMENT FOR MAJOR EQUIPMENT ITEMS ONLY.
  - THERE WILL BE ADDITIONAL ITEMS INSTALLED IN THE CABINET ON SIDE AND BACK PANELS AS PER THE SPECIAL PROVISIONS.
  - PROVIDE ALL UNUSED SPACE AT BOTTOM OF CABINET.
  - THE CONTRACTOR SHALL INSTALL INSULATED BUSHINGS AND DUCT SEALANT AT ALL CONDUIT BEND TERMINATIONS IN FOUNDATIONS.
  - CONCRETE BASE TO BE FORMED AT LEAST 6.0 in (150mm) BELOW THE GROUND SURFACE.
  - CONCRETE BASE MUST BE CAST IN PLACE.
  - THE CABINET SHALL BE EQUIPPED WITH A THERMOSTATICALLY CONTROLLER VENTILATION FAN, DELUXE PLEATED FILTER, POWER PANEL, 96 FIBER RACK MOUNTED ENCLOSURE WITH SPLICE TRAYS, 19" MOUNTING RAILS, EQUIPMENT SHELF, AND SLIDE OUT DRAWER WITH STORAGE.
  - ALL WORK INDICATED SHALL BE PAID FOR UNDER ITEM CABINET, MODEL 334 EXCLUSIVE OF THE CONCRETE FOUNDATION.



M07P1 - Default  
 FILE NAME: d:\highroom\dtd\illres\gov\p\id\DOT\Documents\DOT\_Offices\Illinois\Bids\76N59\CADD\Bids\electrical\BID76N59-TS.dgn

USER NAME = jpr-10nmp	DESIGNED -	REVISED -
PLOT SCALE = 100,0000 / 1 in.	DRAWN -	REVISED -
PLOT DATE = 6/23/2021	CHECKED -	REVISED -
	DATE -	REVISED -

STATE OF ILLINOIS  
DEPARTMENT OF TRANSPORTATION

TYPE 334 CABINET DETAIL

SCALE: SHEET 2 OF 3 SHEETS STA. TO STA.

F.A. RTE.	SECTION	COUNTY	TOTAL SHEETS	SHEET NO.
VAR	DIST 8 ITS 2021-2	VARIOUS	5	4
CONTRACT NO. 76N59			ILLINOIS FED. AID PROJECT	

12" DIA. YELLOW LED FLASHING BEACONS (TYP.)  
WITH TUNNEL VISOR AND RETROREFLECTIVE  
BACKPLATE TO BE FURNISHED AND INSTALLED  
BY DMS SIGN MANUFACTURER (INCLUDED IN  
THE COST OF DMS SIGN)

PROPOSED DMS

EXISTING SIGN STRUCTURE

CONTRACTOR TO REMOVE EXISTING DMS AND  
DISPOSE OF OFFSITE,

CONTRACTOR TO INSTALL PROPOSED DMS  
ON EXISTING SIGN STRUCTURE

NOTES:

1. THE CONTRACTOR SHALL SUBMIT COMPLETE ELECTRICAL DESIGN DETAILS AND CALCULATIONS SEALED BY AN ILLINOIS LICENSED ELECTRICAL AND STRUCTURAL ENGINEER TO THE RESIDENT ENGINEER FOR REVIEW AND APPROVAL PRIOR TO THE ORDERING OF ANY MATERIALS.

ELEVATION  
TRUSS STRUCTURES (TYP.)

NOT TO SCALE

MODEL: Default  
 FILE NAME: \\s:\work\rooms\401\illinois.gov\TWDOT\Documents\1007\_011\cst\100708764595\CADD\2021\Electric\100708764595-TS.dwg

USER NAME = prestonne	DESIGNED -	REVISED -
	DRAWN -	REVISED -
PLOT SCALE = 100.0000 / 1 in.	CHECKED -	REVISED -
PLOT DATE = 6/23/2021	DATE -	REVISED -

STATE OF ILLINOIS  
DEPARTMENT OF TRANSPORTATION

TRUSS MOUNTED LED DYNAMIC MESSAGE SIGN

SCALE: SHEET 2 OF 3 SHEETS STA. TO STA.

F.A. RTE.	SECTION	COUNTY	TOTAL SHEETS	SHEET NO.
VAR	DIST 8 ITS 2021-2	VARIOUS	5	5
			CONTRACT NO. 76N59	
ILLINOIS FED. AID PROJECT				