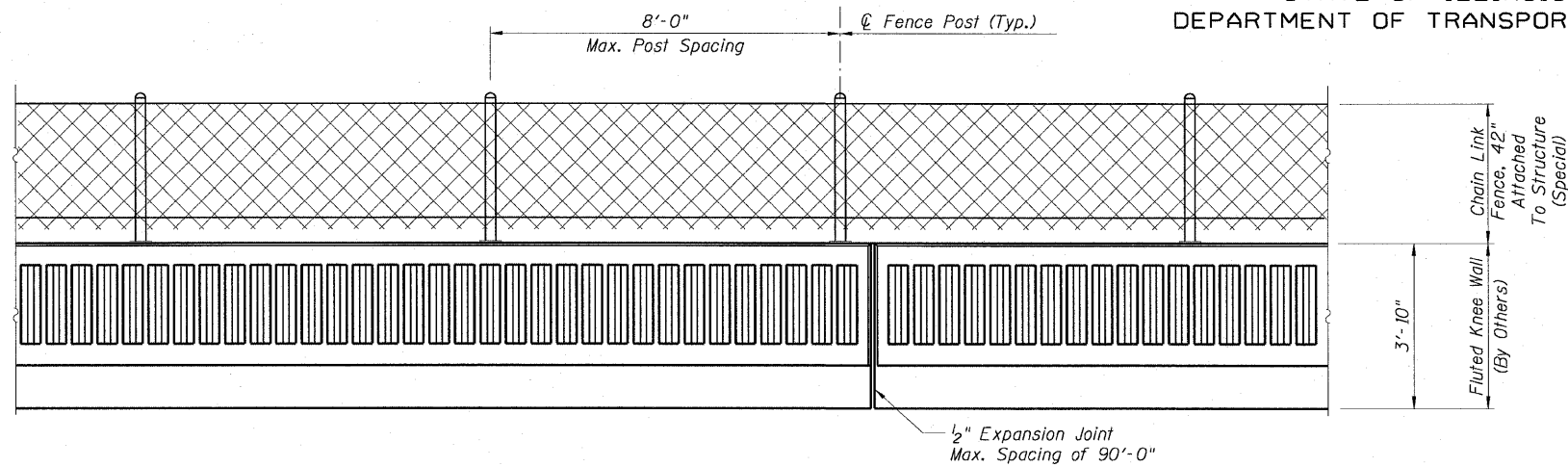


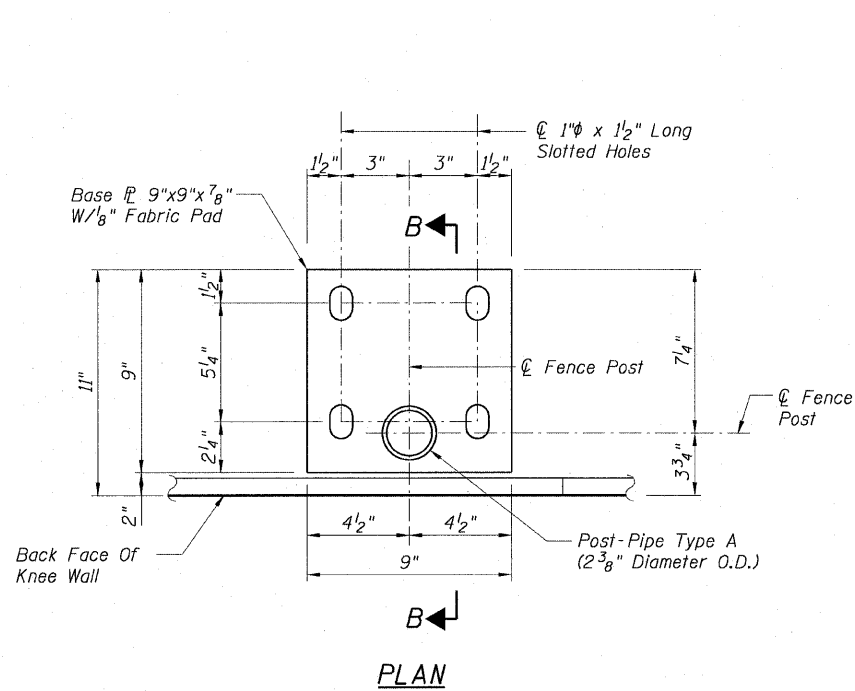
STATE OF ILLINOIS
DEPARTMENT OF TRANSPORTATION

| | | | | |
|-----------------------|------------|------------------|--------------|-----------|
| F.A.I. RTE. | SECTION | COUNTY | TOTAL SHEETS | SHEET NO. |
| 90/94 | 2005-032 I | COOK | 37 | 26 |
| STA. | TO STA. | | | |
| FED. ROAD DIST. NO. 1 | ILLINOIS | FED. AID PROJECT | | |

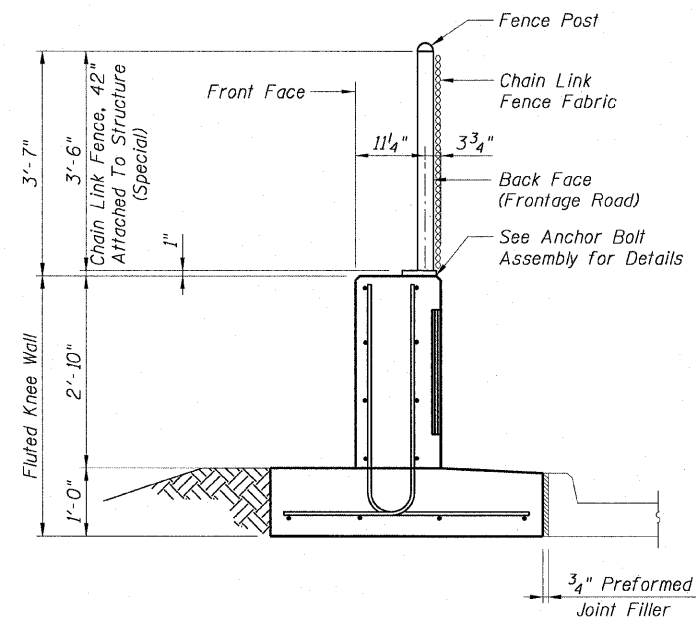
60A03



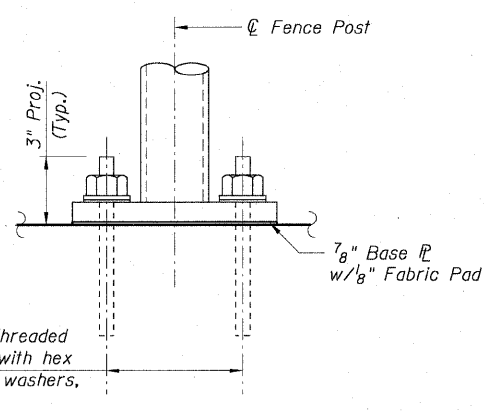
BACK FACE ELEVATION - FLUTED KNEE WALL AND CHAIN LINK FENCE



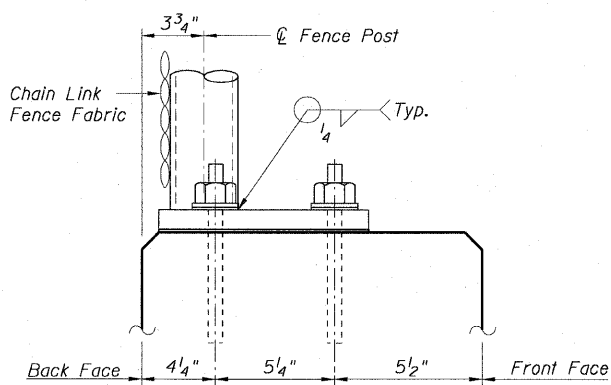
PLAN



TYPICAL SECTION
FLUTED KNEE WALL & CHAIN LINK FENCE

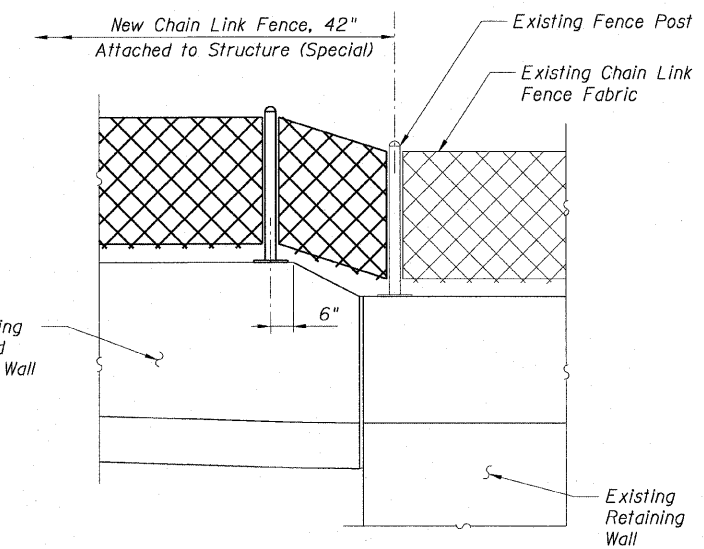


ELEVATION

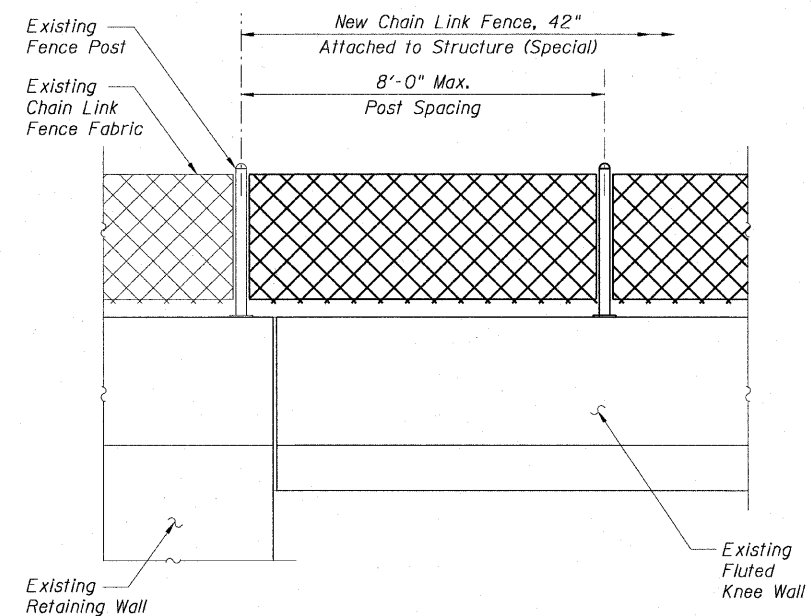


SECTION B-B

ANCHOR ROD ASSEMBLY DETAILS



CHAIN LINK FENCE, 42"
ATTACHED TO STRUCTURE (SPECIAL) DETAIL
Sta. 513+16.20



CHAIN LINK FENCE, 42"
ATTACHED TO STRUCTURE (SPECIAL) DETAIL

| Wentworth Ave. Stations | Wells St. Stations |
|-------------------------|--------------------|
| 105+09.28 | 508+30.95 |
| 107+29.52 | 509+41.70 |
| 111+25.00 | 595+44.91 |
| 208+90.55 | 611+48.05 |
| | 613+69.50 |

NOTES:

1. Fluted knee wall will not be paid for in this Contract, but shall be furnished and installed in Contracts 62985, 62986 and 62987.
2. Threaded rods, nuts and washers shall conform to AASHTO M164.
3. Posts shall not be located closer than 6" to an expansion joint or the end of the fluted parapet.
4. The Contractor shall use the capsule or the adhesive cartridge type anchor rods that have been previously tested and given a prior approval by the Department. The Contractor shall install these anchor rods in pre-drilled holes according to the manufacturer's recommendations and procedures. The capsule or the adhesive cartridge type anchor rods shall be a two-part system composed of:

- A) A threaded rod stud with nut and washer of the type specified.
 - B) A sealed glass capsule or a sealed glass adhesive cartridge containing premeasured amounts of the adhesive chemical.
5. Nuts for the 5/8" threaded anchor rods connecting the base plate to the concrete to be tightened to a snug fit and given an additional 1/8 turn.
 6. The cost of furnishing, drilling and installing epoxy grout and threaded anchor rods including hex nuts and lock washers is included in the cost per foot for "Chain Link Fence, 42" Attached to Structure (Special)".

LEGEND:

| | |
|--|--------------------|
| | Chain Link Fabric |
| | Rustication Finish |
| | Earth |

AECOM

| REVISIONS | |
|-----------|------|
| NAME | DATE |
| | |
| | |
| | |
| | |
| | |
| | |
| | |
| | |
| | |

ILLINOIS DEPARTMENT OF TRANSPORTATION
F.A.I. 90/94 (DAN RYAN EXPRESSWAY)
71ST ST TO 47TH ST (NB & SB FENCE AND GATES)

CHAIN LINK FENCE STANDARD DETAILS

SCALE: None
DATE: JANUARY 14, 2009
DRAWN BY: RSB
CHECKED BY: RS

Sheet F1 of 7

12:34:20 PM
7/13/2009