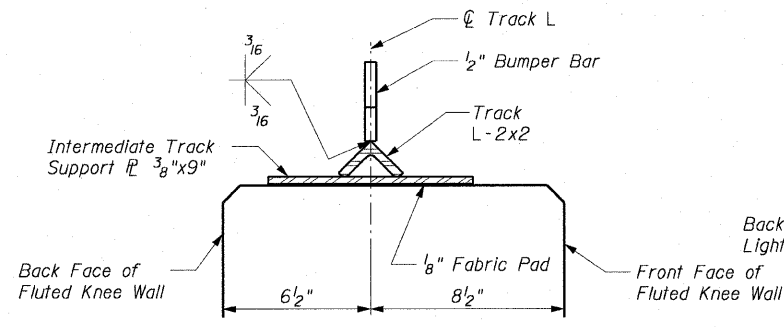
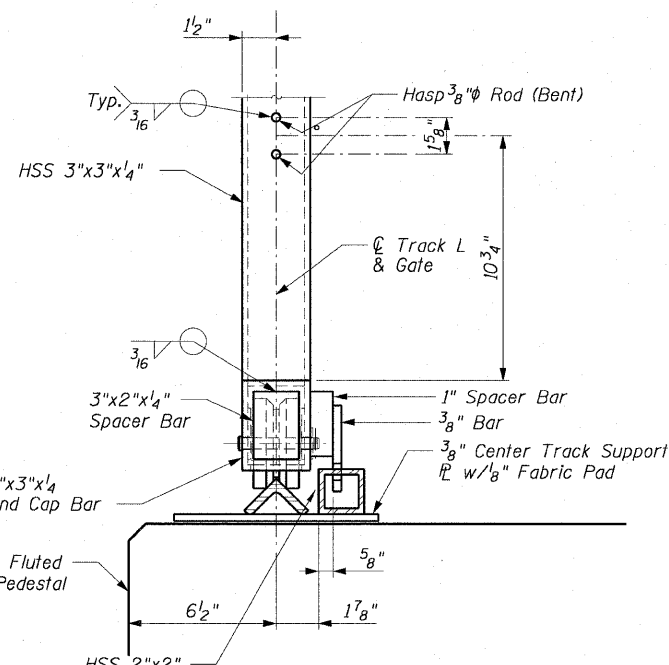


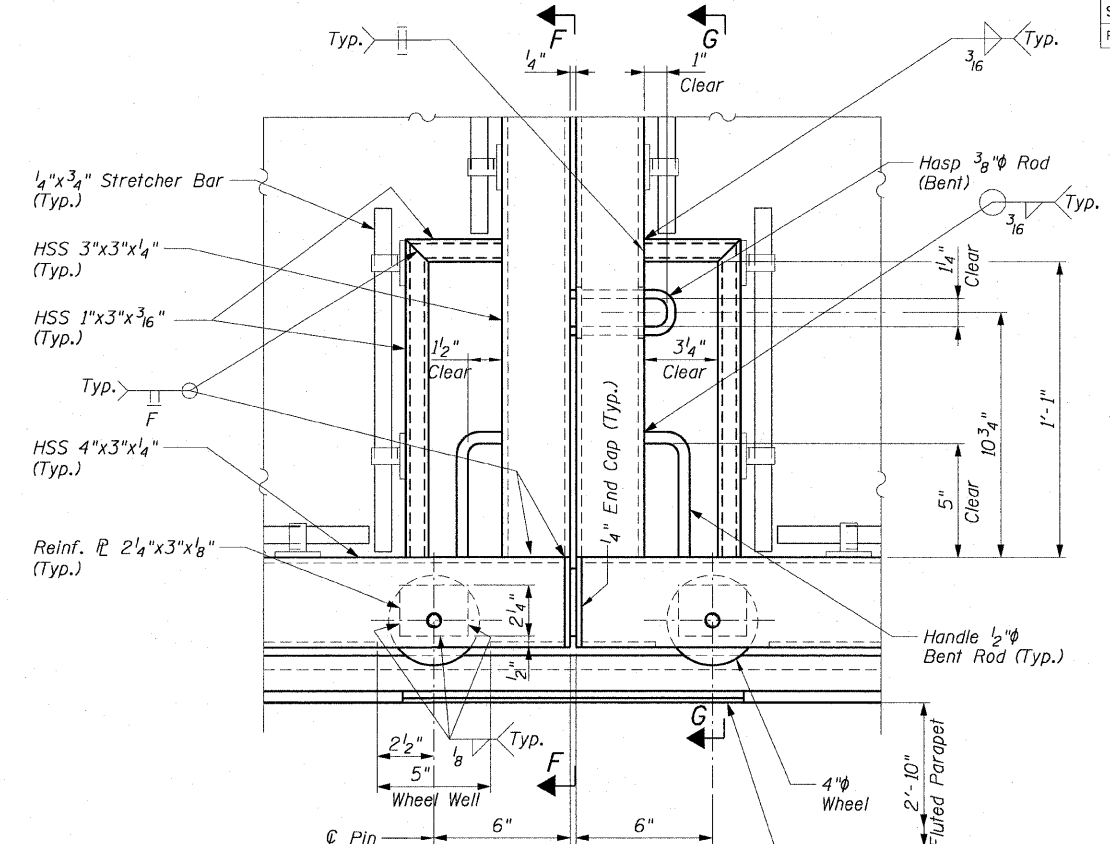
DETAIL 4



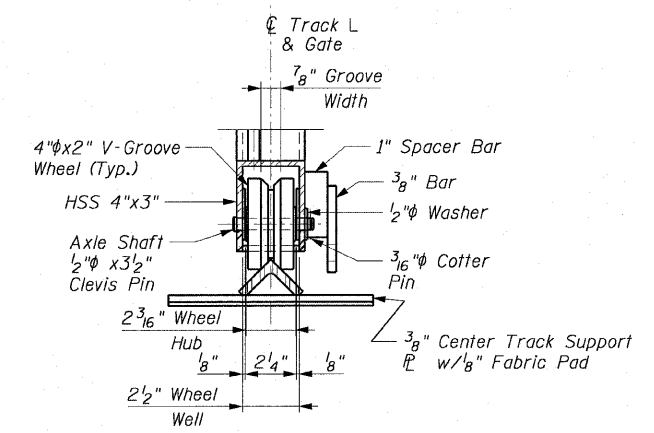
SECTION C-C



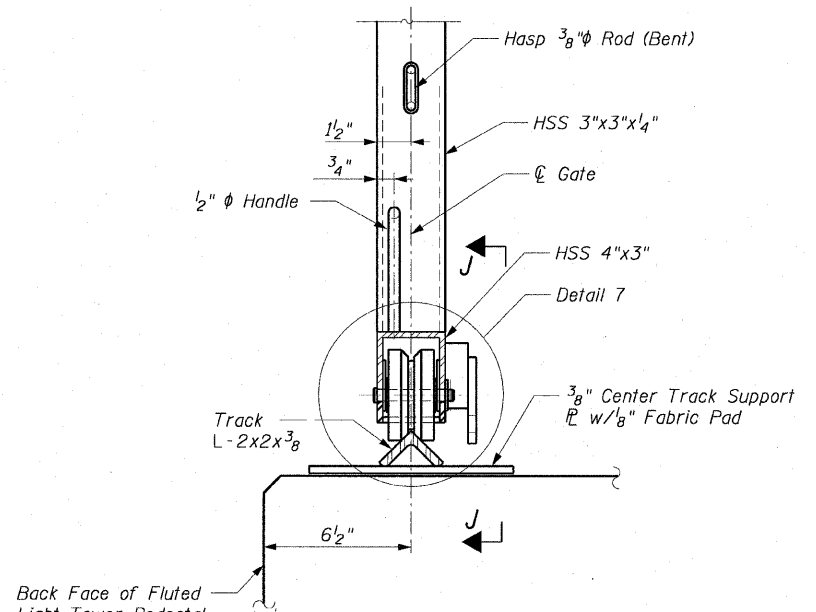
SECTION F-F



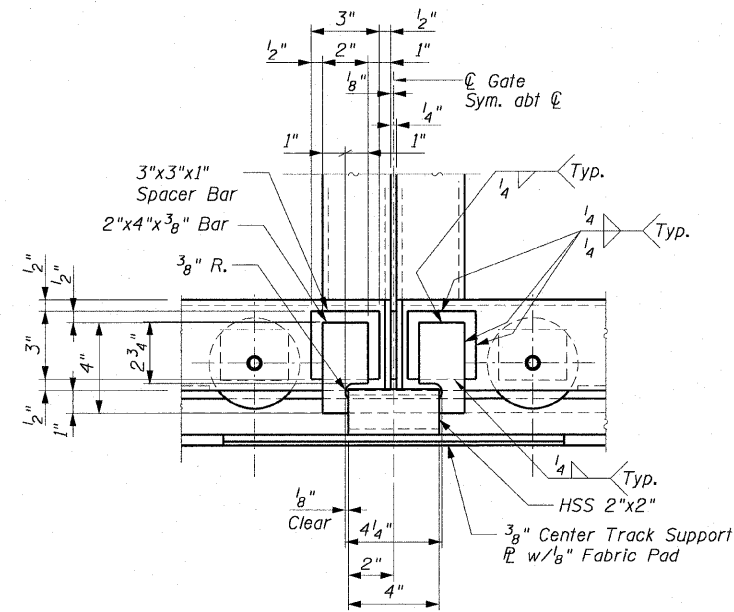
DETAIL 6
(Chain Link Fabric not shown for clarity)



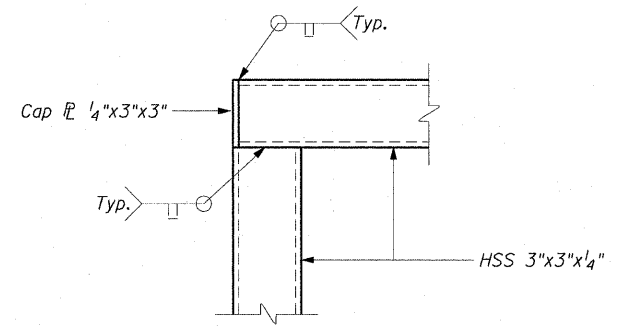
DETAIL 7



SECTION G-G



SECTION J-J



DETAIL 5

NOTES:

1. For Notes See Sheet F5.
2. For Anchor Bolt Locations See Details 1, 2 and 3 On Sheet F5.
3. For Anchor Bolt Details See Sheet F6.
4. For Location of Detail 6 See Sheet F4.
5. HSS denotes Hollow Structural Section.

SHEET F7 of 7

REVISIONS	
NAME	DATE

ILLINOIS DEPARTMENT OF TRANSPORTATION
F.A.I. 90/94 (DAN RYAN EXPRESSWAY)
71ST ST TO 47TH ST (NB & SB FENCE AND GATES)

**TYPICAL SECTIONS AND DETAILS
CHAIN LINK FENCE, 42" GATE (SPECIAL)
COOK COUNTY**

SCALE: None DRAWN BY: FJD
DATE: JANUARY 14, 2009 CHECKED BY: RS