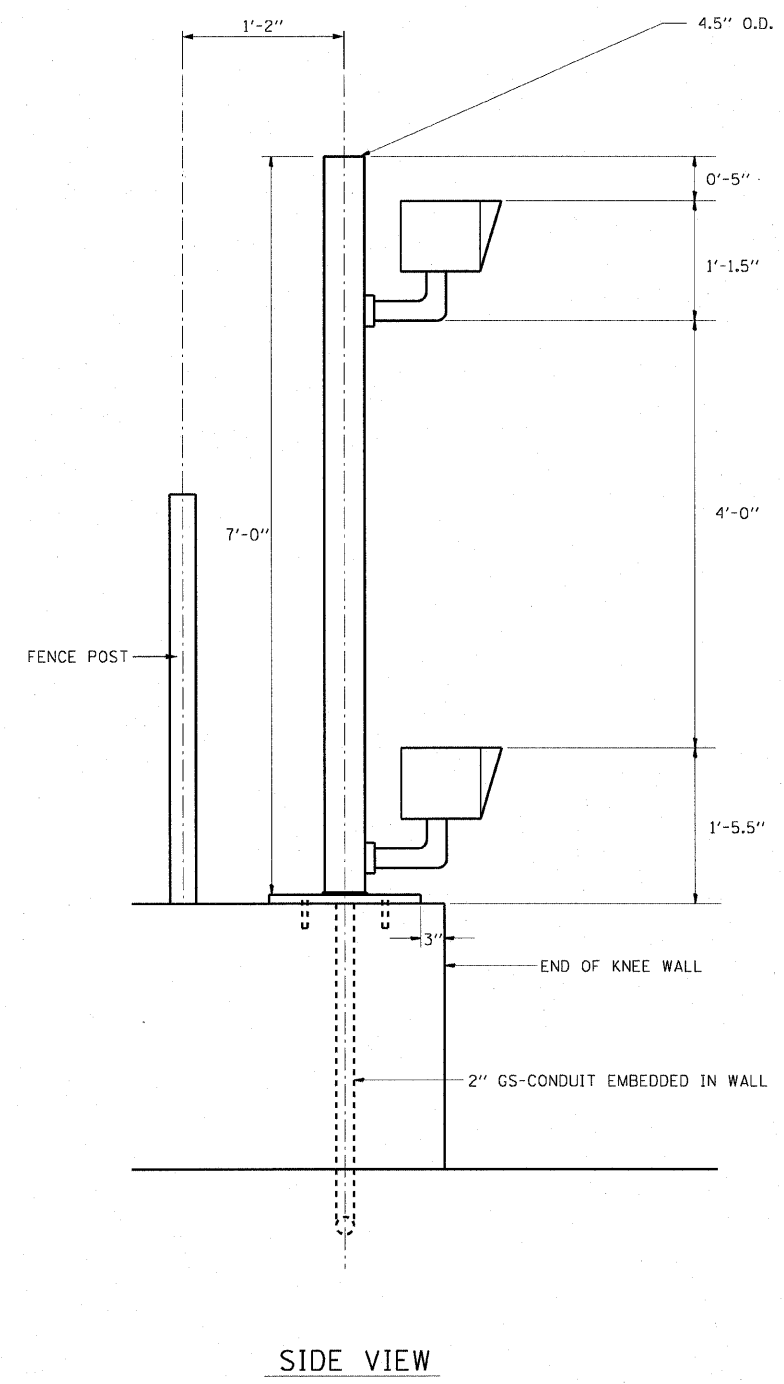


F.A.I. RTE.	SECTION	COUNTY	TOTAL SHEETS	SHEET NO.
90/94	2005-032 I	COOK	37	33
STA.		TO STA.		
FED. ROAD DIST. NO. 1		ILLINOIS FED. AID PROJECT		

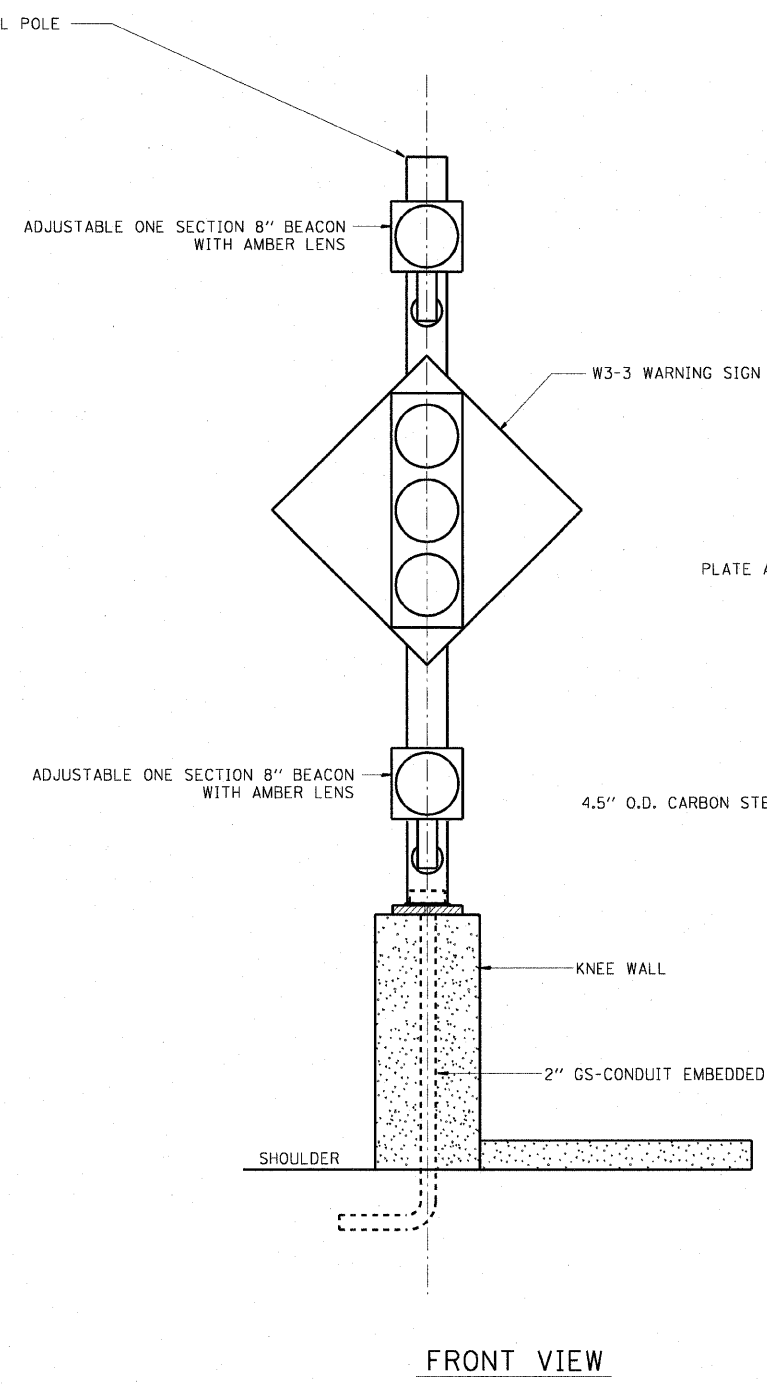
60A03

**NOTES:**

- THIS DRAWING IS BEING PROVIDED FOR INFORMATION ONLY. ALL WORK SHOWN ON THIS DRAWING IS BY OTHERS. CONTRACTOR MUST INSTALL FIRST FENCE POST SUCH THAT IT DOES NOT CONFLICT WITH THE FUTURE INSTALLATION OF THE RAMP METER FLASHER POST AS SHOWN ON THE DRAWING.

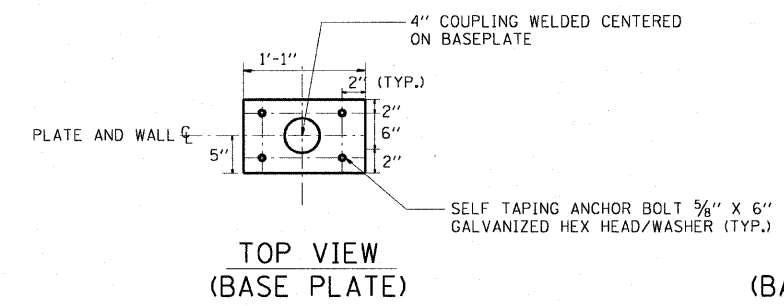


SIDE VIEW

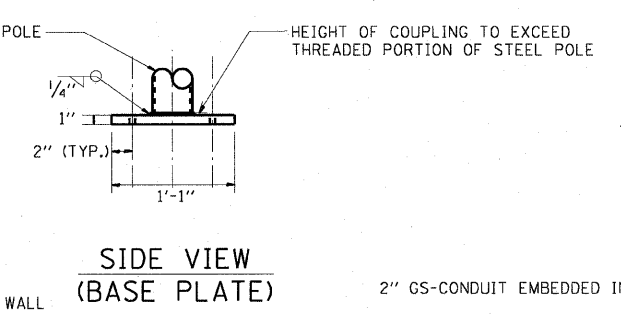


FRONT VIEW

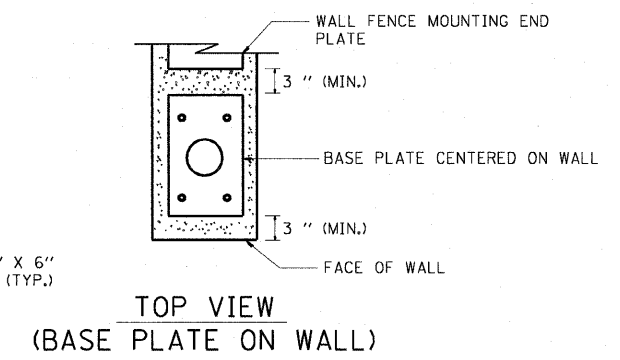
FLASHER POST ON KNEE WALL



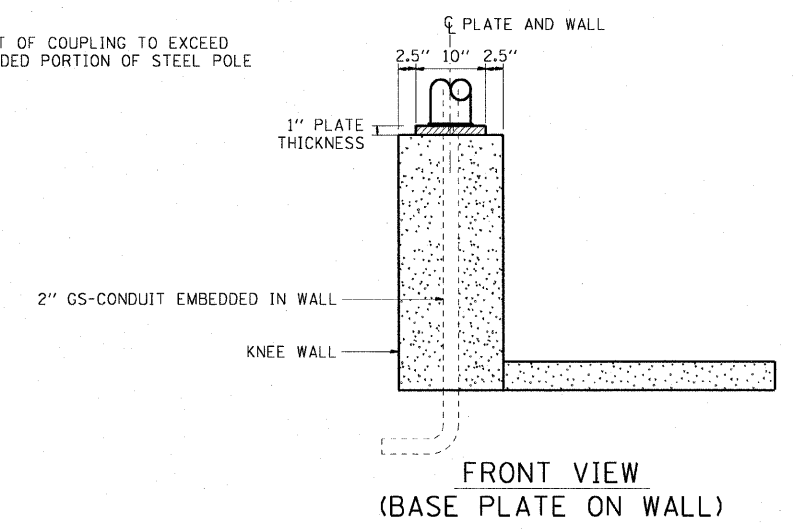
TOP VIEW (BASE PLATE)



SIDE VIEW (BASE PLATE)



TOP VIEW (BASE PLATE ON WALL)



FRONT VIEW (BASE PLATE ON WALL)

AECOM

REVISIONS	
NAME	DATE

ILLINOIS DEPARTMENT OF TRANSPORTATION  
 F.A.I. 90/94 (DAN RYAN EXPRESSWAY)  
 71ST ST TO 47TH ST (NB & SB FENCE AND GATES)

**RAMP METER FLASHER ON KNEE WALL DETAIL**

SCALE: NOT TO SCALE  
 DATE: JANUARY 14, 2009

DRAWN BY: HR  
 CHECKED BY: JPC

DT-35A

I:\scg\p207\p40468\p40468\elec\01-CORL\Knee Wall\Contract\Contract 35\DT-35A2E.dwg 1/13/2009 4:46:14 PM