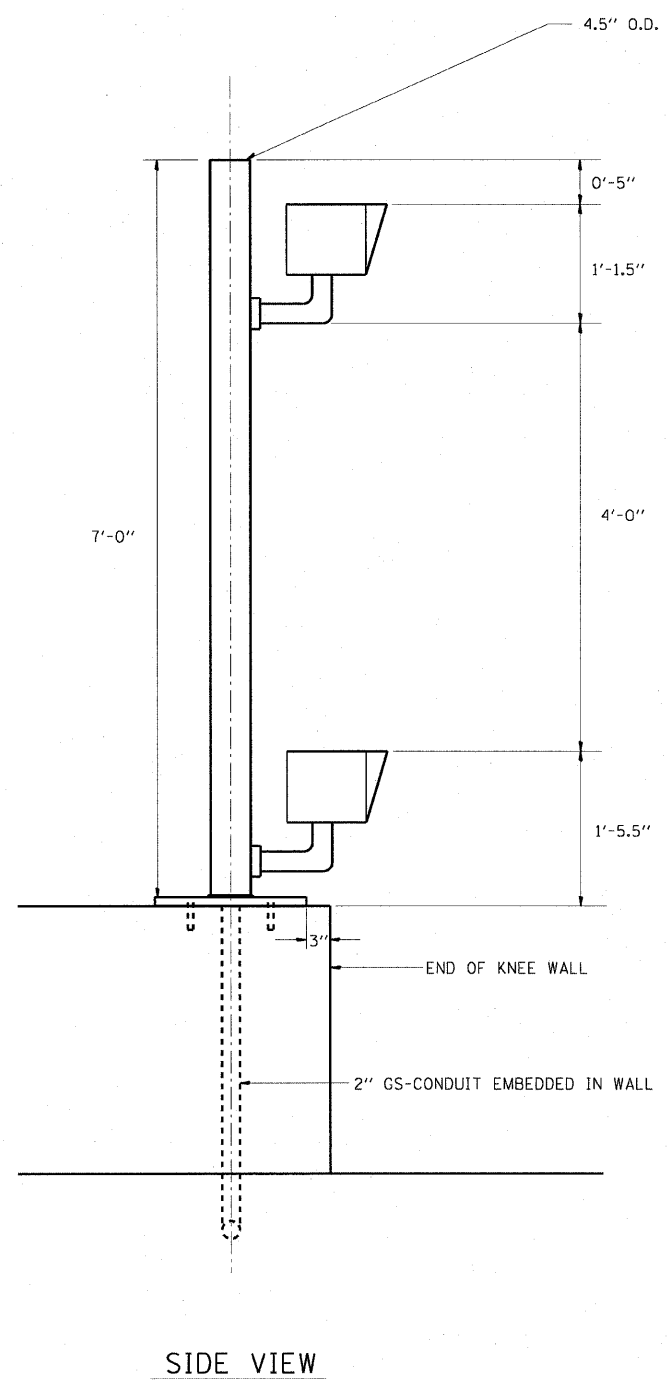


F.A.I. R.T.E.	SECTION	COUNTY	TOTAL SHEETS	SHEET NO.
90/94	2006-034 I	COOK	36	32
STA.		TO STA.		
FED. ROAD DIST. NO. 1		ILLINOIS FED. AID PROJECT		

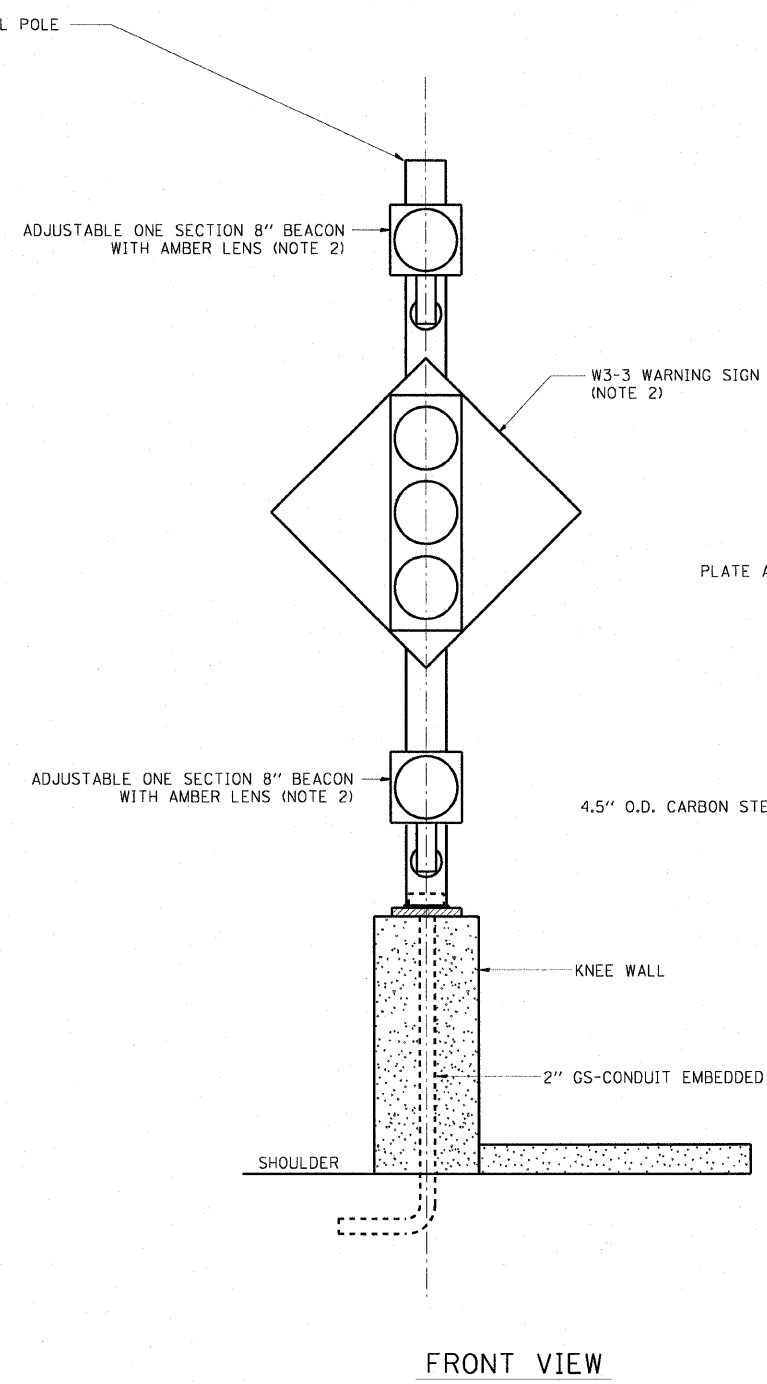
60B88

NOTES:

- SEE STRUCTURAL DETAILS FOR CONDUIT IN KNEE WALL INSTALLATION DETAILS.
- BEACONS AND WARNING SIGN FROM EXISTING WOOD POST ARE TO BE REINSTALLED ON THE NEW STEEL POLE AND WIRED BACK TO THE SURVEILLANCE CABINET AS SHOWN ON THE PLAN DRAWINGS.

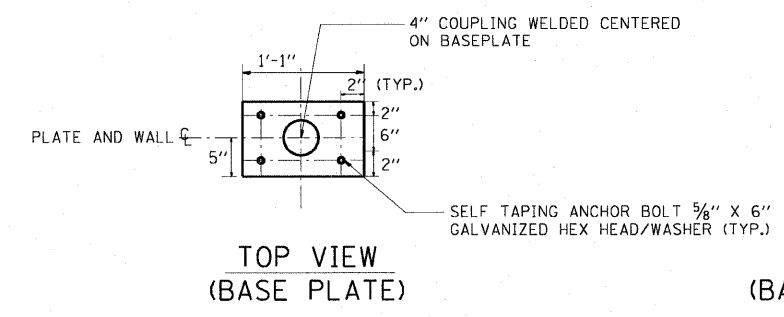


SIDE VIEW

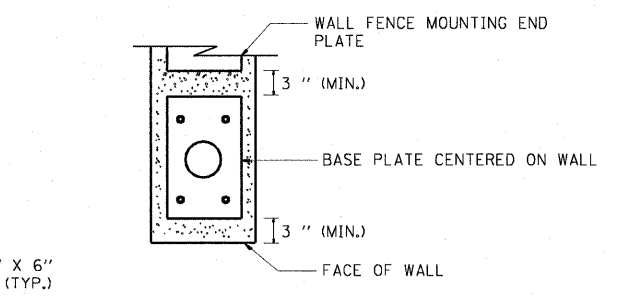


FRONT VIEW

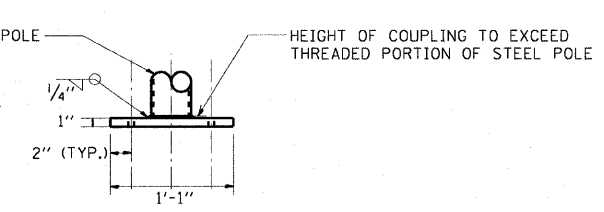
FLASHER POST ON KNEE WALL



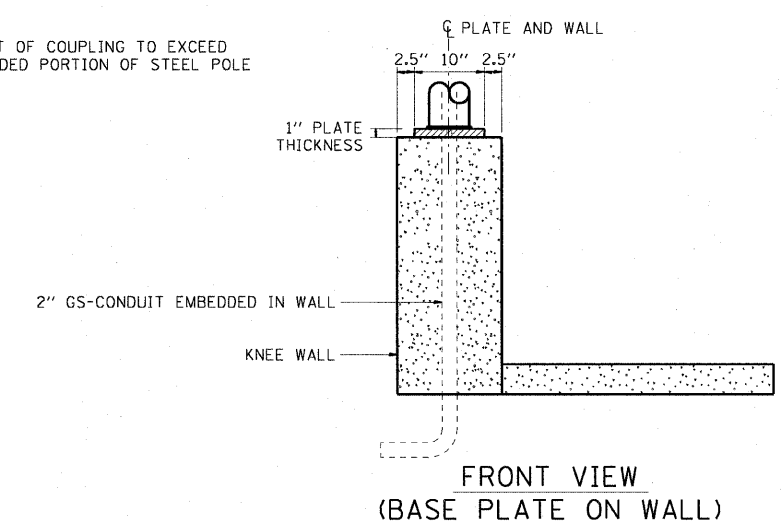
TOP VIEW (BASE PLATE)



TOP VIEW (BASE PLATE ON WALL)



SIDE VIEW (BASE PLATE)



FRONT VIEW (BASE PLATE ON WALL)

AECOM

REVISIONS	
NAME	DATE

ILLINOIS DEPARTMENT OF TRANSPORTATION
 F.A.I. 90/94 (DAN RYAN EXPRESSWAY)
 FENCE AND GATES VARIOUS LOCATIONS
 (71ST STREET TO 63RD STREET)
**RAMP METER FLASHER
 ON KNEE WALL DETAIL**
 SCALE: NOT TO SCALE
 DATE: JANUARY 14, 2009
 DRAWN BY: HR
 CHECKED BY: JPC

DT-35A

1/13/2009 2:45:02 PM