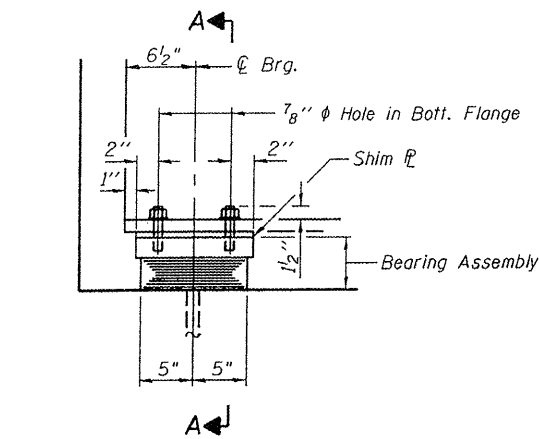
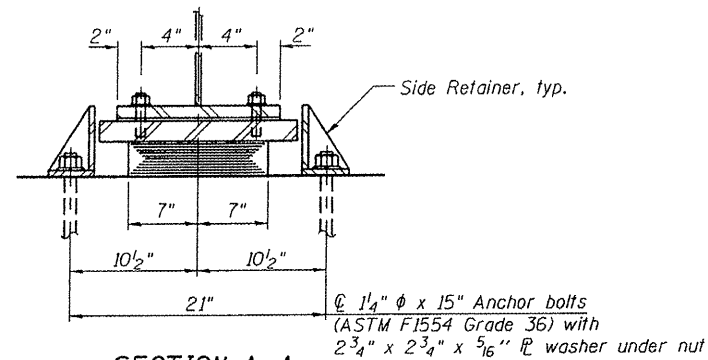


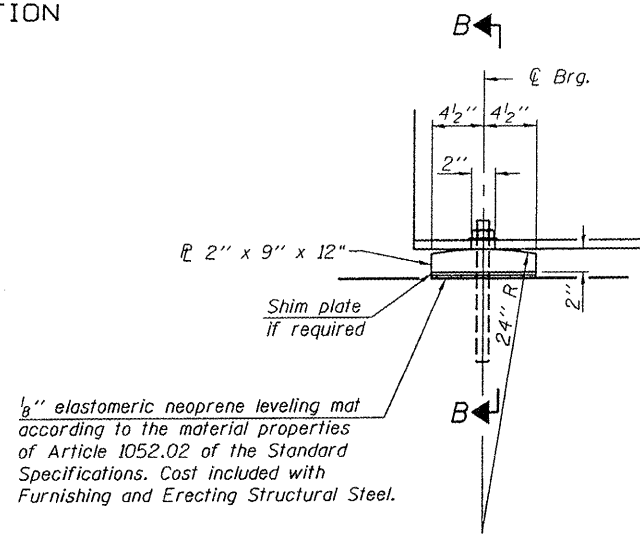
STATE OF ILLINOIS  
DEPARTMENT OF TRANSPORTATION



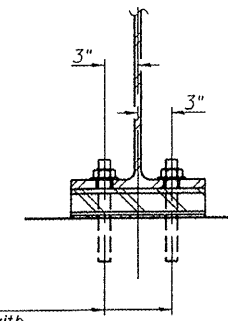
ELEVATION AT ABUTMENT



SECTION A-A

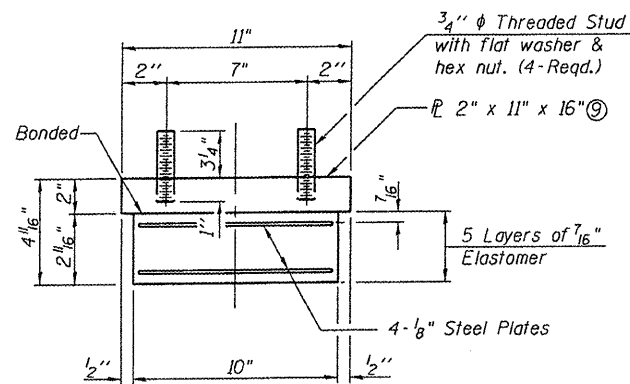


ELEVATION AT ABUTMENT



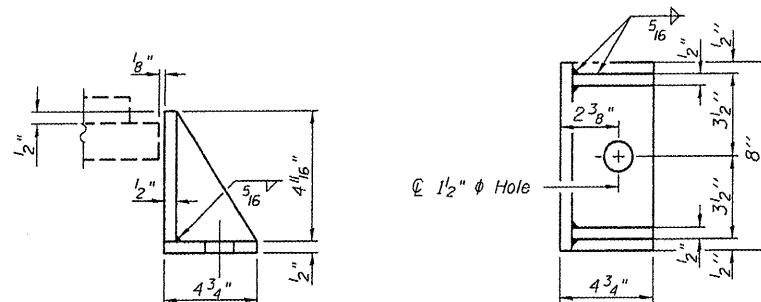
SECTION B-B

FIXED BEARING  
(West Abutment)



BEARING ASSEMBLY ©

TYPE I ELASTOMERIC EXP. BRG.  
(East Abutment)



SIDE RETAINER ⑦

1/8" elastomeric neoprene leveling mat according to the material properties of Article 1052.02 of the Standard Specifications. Cost included with Furnishing and Erecting Structural Steel.

1" x 12" anchor bolts (ASTM F 1554 Grade 36) with 2 1/4" x 2 1/4" x 3/16" plate washer under nut. 1 3/8" x 2" slotted hole in flange. 1/2" holes in bearing plate.

BILL OF MATERIAL

Item	Unit	Total
Elastomeric Bearing Assembly, Type I	Each	6
Anchor Bolts, 1"	Each	12
Anchor Bolts, 1 1/4"	Each	12


SHIM TABLE ⑤

	Beam 1	Beam 2	Beam 3	Beam 4	Beam 5	Beam 6
W. Abut.	—	—	3/4"	—	—	—
E. Abut.	—	1/4"	1/4"	—	—	—

Notes:

- Anchor bolts shall be ASTM F1554 all-thread or an Engineer-approved alternate material of the grades and diameters specified. ASTM A307 Grade C anchor bolts may be used in lieu of ASTM F1554 Grade 36 (Fy=36ksi). The corresponding specified grade of AASHTO M314 anchor bolts may be used in lieu of ASTM F1554.
- Anchor bolts at fixed bearings may be either cast in place or installed in holes drilled after the supported member is in place.
- Anchor bolts for side retainers may be cast in place or installed in holes drilled before or after members are in place.
- Drilled and set anchor bolts shall be installed according to Article 521.06 of the Standard Specifications.
- Side retainers and other steel members required for the bearing assembly shall be included in the cost of Elastomeric Bearing Assembly, Type I.
- Shim plates shall not be placed under Bearing Assembly.
- Equivalent rolled angle with stiffeners will be allowed in lieu of welded plates.
- Two 1/8 in. adjusting shims shall be provided for each bearing in addition to all other plates or shims and placed as shown on bearing details.
- AASHTO M270 Grade 50 Steel.

BEARING DETAILS  
STRUCTURE NO. 082-6113

SHEET NO. 18 31 SHEETS	F.A.U. RTE. 9274	SECTION 04-00202-00-BR	COUNTY ST. CLAIR	TOTAL SHEETS 55	SHEET NO. 35
	CONTRACT NO. 97369				
FED. ROAD DIST. NO. 7 ILLINOIS FED. AID PROJECT					
 QATES ASSOCIATES Consulting Engineers	Eastport Business Center 1 100 Lanter Court, Suite 1 Collinsville, Illinois 62234 618-345-2200 Design Firm License No. 184.001115			DESIGNED JAD CHECKED NEL DRAWN JAD CHECKED NEL	