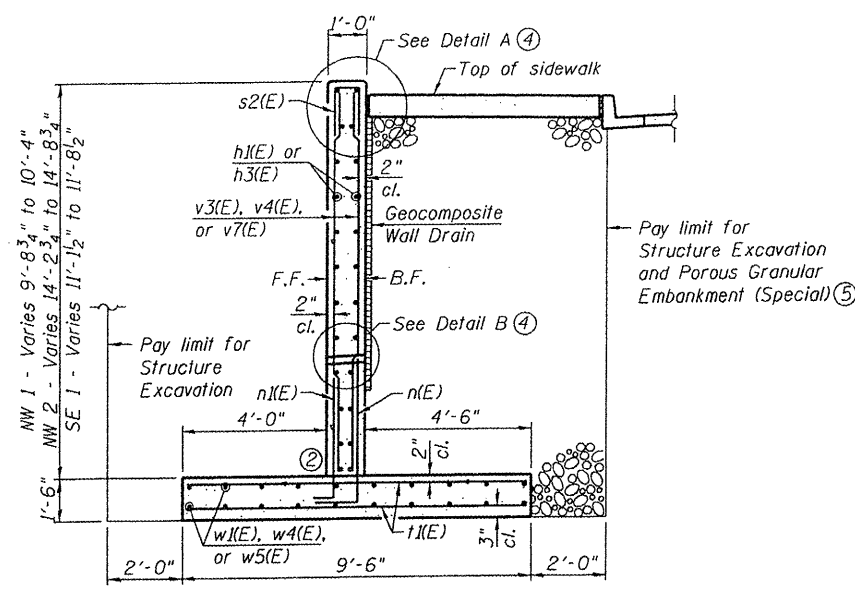
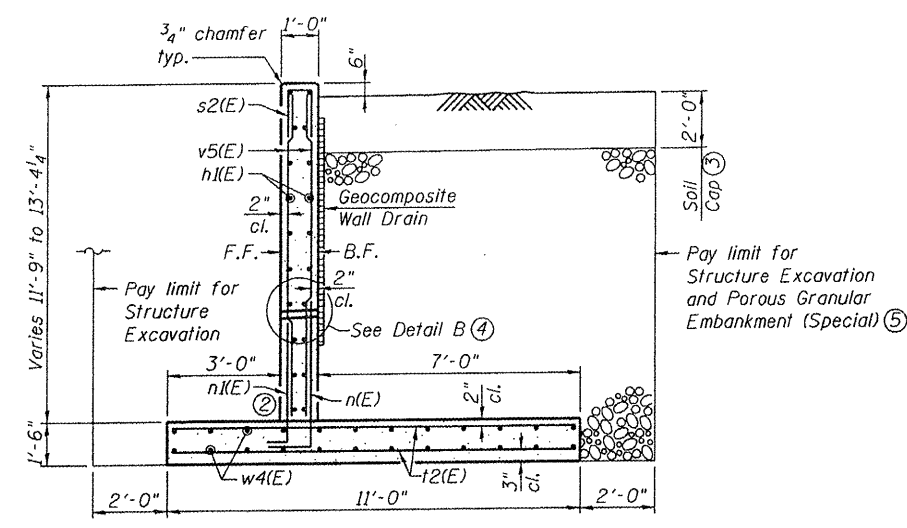


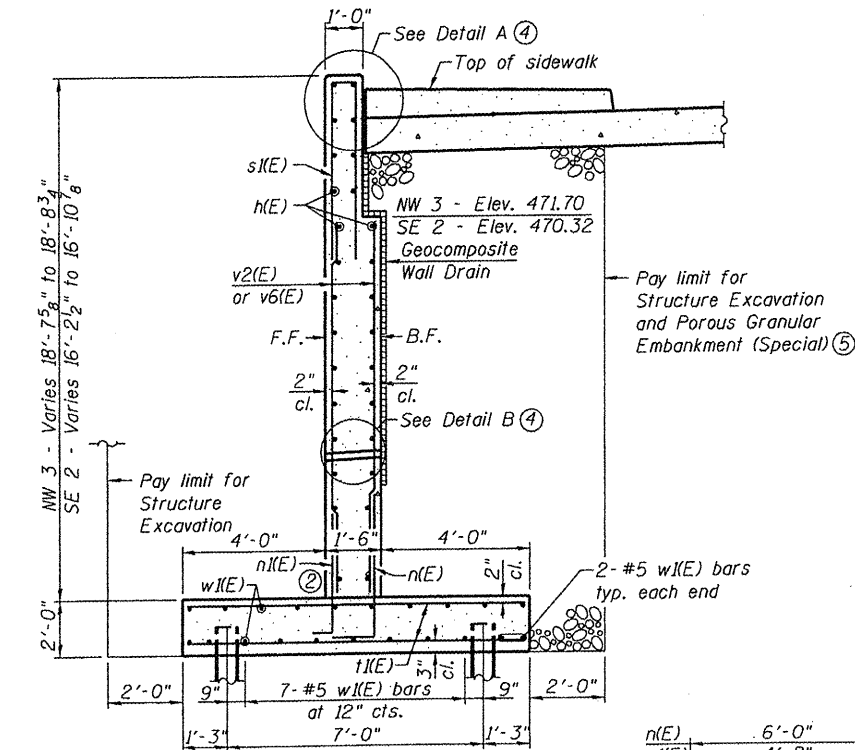
STATE OF ILLINOIS
DEPARTMENT OF TRANSPORTATION



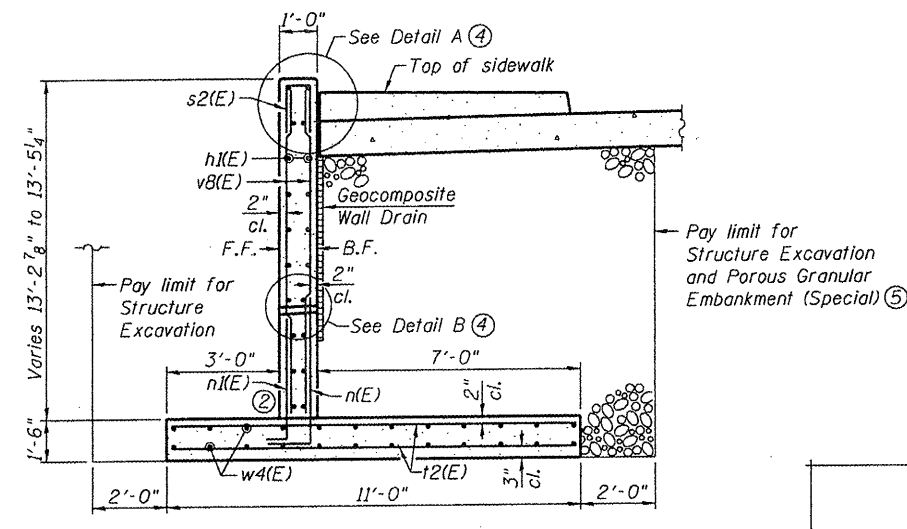
SECTION G-G
(Walls NW 1, NW 2, & SE 1)



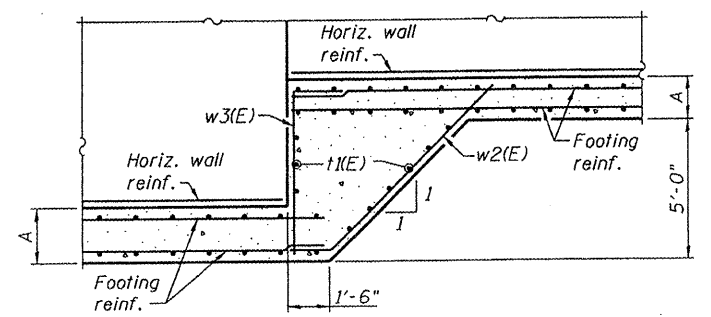
SECTION I-I
(Wall SW 1)



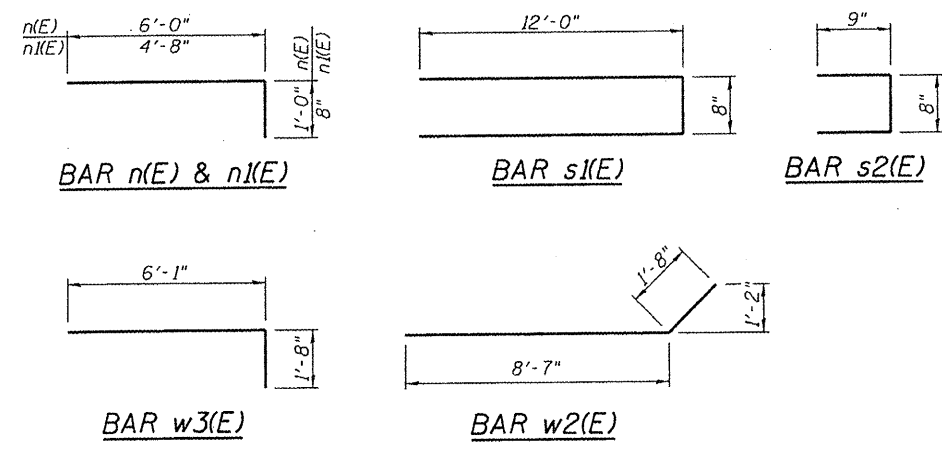
SECTION H-H
(Walls NW 3 or SE 2)



SECTION J-J
(Wall NE 1)



STEPPED FOOTING



WEST RETAINING WALLS
BILL OF MATERIAL

Bar	No.	Size	Length	Shape
h(E)	32	#5	14'-8"	—
h1(E)	66	#4	14'-8"	—
h2(E)	20	#5	5'-2"	—
n(E)	85	#6	7'-0"	—
n1(E)	74	#4	5'-4"	—
s1(E)	21	#5	24'-8"	—
s2(E)	18	#4	2'-2"	—
i1(E)	157	#5	9'-2"	—
i2(E)	41	#7	10'-8"	—
v2(E)	41	#5	7'-10"	—
v3(E)	34	#4	13'-1"	—
v4(E)	22	#4	8'-8"	—
v5(E)	32	#4	11'-5"	—
w1(E)	41	#5	16'-4"	—
w2(E)	21	#5	10'-3"	—
w3(E)	20	#5	7'-9"	—
w4(E)	44	#5	14'-8"	—
Structure Excavation				Cu. Yd. 467
Concrete Structures				Cu. Yd. 83.1
Reinforcement Bars, Epoxy Coated				Pound 8,120
Furnishing Steel Piles HP14x73				Foot 114
Driving Piles				Foot 114
Pile Shoes				Each 6

EAST RETAINING WALLS
BILL OF MATERIAL

Bar	No.	Size	Length	Shape
h(E)	28	#5	14'-8"	—
h1(E)	24	#4	14'-8"	—
h2(E)	10	#5	5'-2"	—
h3(E)	22	#4	19'-8"	—
n(E)	78	#6	7'-0"	—
n1(E)	69	#4	5'-4"	—
s1(E)	21	#5	24'-8"	—
s2(E)	14	#4	2'-2"	—
i1(E)	108	#5	9'-2"	—
i2(E)	41	#7	10'-8"	—
v6(E)	41	#4	6'-8"	—
v7(E)	28	#4	10'-1"	—
v8(E)	32	#4	11'-10"	—
w1(E)	21	#5	16'-4"	—
w2(E)	11	#5	10'-3"	—
w3(E)	10	#5	7'-9"	—
w4(E)	24	#5	14'-8"	—
w5(E)	20	#5	19'-8"	—
Structure Excavation				Cu. Yd. 356
Concrete Structures				Cu. Yd. 64.6
Reinforcement Bars, Epoxy Coated				Pound 6,520
Furnishing Steel Piles HP14x73				Foot 138
Driving Piles				Foot 138
Pile Shoes				Each 6

- Notes:
- B.F. denotes back face
F.F. denotes front face
 - v(E) thru v8(E) bars shall maintain a 2" clearance to the top of retaining wall by varying the lap with n(E) thru n1(E) bars. A 2'-0" minimum lap shall be maintained between v(E) thru v8(E) and n(E) thru n1(E) bars in front face and back face.
 - Cost of soil cap included in Structure Excavation.
 - For Detail A and Detail B, see sheet 23 of 31.
 - Over excavation beyond the limits of Structure Excavation shall not be measured for payment. Over excavation beneath roadway, sidewalk, 2 feet beyond outside edge of sidewalk, and under proposed footings shall be backfilled according to Section 205 of the Standard Specification or according to the specifications of Porous Granular Embankment (Special). Backfill shall not be measured for payment and shall be incidental to Structure Excavation.

RETAINING WALL DETAILS
STRUCTURE NO. 082-6113

SHEET NO. 26 31 SHEETS	F.A.U. RTE. 9274	SECTION 04-00202-00-BR	COUNTY ST. CLAIR	TOTAL SHEETS 55	SHEET NO. 43
	CONTRACT NO. 97369				
FED. ROAD DIST. NO. 7 ILLINOIS FED. AID PROJECT					
 OATES ASSOCIATES Consulting Engineers	Eastport Business Center 1 100 Lanter Court, Suite 1 Collinsville, Illinois 62234 618-345-2200 Design Firm License No. 184.001115			DESIGNED DGL	
				CHECKED JAD	
				DRAWN JAD	
				CHECKED DGL	