

SUMMARY OF QUANTITIES

ITEM NUMBER	ITEM	UNIT	QUANTITY
20200100	EARTH EXCAVATION	CU YD	355
20800150	TRENCH BACKFILL	CU YD	64
21101615	TOPSOIL FURNISH AND PLACE, 4"	SQ YD	544
25000400	NITROGEN FERTILIZER NUTRIENT	POUND	10
25000500	PHOSPHORUS FERTILIZER NUTRIENT	POUND	10
25000600	POTASSIUM FERTILIZER NUTRIENT	POUND	10
25200110	SODDING, SALT TOLERANT	SQ YD	544
28000250	TEMPORARY EROSION CONTROL SEEDING	POUND	11
28000500	INLET AND PIPE PROTECTION	EACH	6
35101100	AGGREGATE BASE COURSE, TYPE A 12"	SQ YD	426
35101600	AGGREGATE BASE COURSE, TYPE B 4"	SQ YD	428
35102000	AGGREGATE BASE COURSE, TYPE B 8"	SQ YD	271
35400510	PORTLAND CEMENT CONCRETE BASE COURSE WIDENING 11"	SQ YD	135
40600295	POLYMERIZED BITUMINOUS MATERIALS (TACK COAT)	POUND	98
40604050	HOT-MIX ASPHALT SURFACE COURSE, IL-9.5, MIX "C", N50	TON	16
42000301	PORTLAND CEMENT CONCRETE PAVEMENT 8" (JOINTED)	SQ YD	50

ITEM NUMBER	ITEM	UNIT	QUANTITY
42300200	PORTLAND CEMENT CONCRETE DRIVEWAY PAVEMENT, 6 INC	SQ YD	271
42400200	PORTLAND CEMENT CONCRETE SIDEWALK 5 INCH	SQ FT	3845
42400800	DETECTABLE WARNINGS	SQ FT	88
44000100	PAVEMENT REMOVAL	SQ YD	472
44000200	DRIVEWAY PAVEMENT REMOVAL	SQ YD	153
44000500	COMBINATION CURB AND GUTTER REMOVAL	FOOT	283
44000600	SIDEWALK REMOVAL	SQ FT	288
50105220	PIPE CULVERT REMOVAL	FOOT	118
54261712	STEEL FLARED END SECTIONS 12"	EACH	2
60218400	MANHOLES, TYPE A, 4'-DIAMETER, TYPE 1 FRAME, CLOSED LI	EACH	2
60603800	COMBINATION CONCRETE CURB AND GUTTER, TYPE B-6.12	FOOT	55
60605000	COMBINATION CONCRETE CURB AND GUTTER, TYPE B-6.24	FOOT	565
67100100	MOBILIZATION	L SUM	1
* 72000100	SIGN PANEL - TYPE 1	SQ FT	23
72400310	REMOVE SIGN PANEL - TYPE 1	SQ FT	1
72400500	RELOCATE SIGN PANEL ASSEMBLY - TYPE A	EACH	2

ITEM NUMBER	ITEM	UNIT	QUANTITY
* 72900100	METAL POST - TYPE A	FOOT	20
* 78000200	THERMOPLASTIC PAVEMENT MARKING - LINE 4"	FOOT	425
* 78000650	THERMOPLASTIC PAVEMENT MARKING - LINE 24"	FOOT	124
* 78005180	EPOXY PAVEMENT MARKING - LINE 24"	FOOT	140
550A0040	STORM SEWERS, CLASS A, TYPE 1 10"	FOOT	29
550A0050	STORM SEWERS, CLASS A, TYPE 1 12"	FOOT	421
550B0040	STORM SEWERS, CLASS B, TYPE 1 10"	FOOT	65
X0327301	RELOCATE EXISTING MAILBOX	EACH	4
X0327998	BOLLARD TO BE RELOCATED	EACH	1
X6020082	INLETS, TYPE G-1	EACH	1
X6021814	INLET-MANHOLE, TYPE G-1, 4' DIAMETER	EACH	3
X6023508	INLETS, TYPE A, WITH SPECIAL FRAME AND GRATE	EACH	2
X7010216	TRAFFIC CONTROL AND PROTECTION, (SPECIAL)	L SUM	1
Z0013798	CONSTRUCTION LAYOUT	L SUM	1

\* SPECIALTY ITEM

MODEL: D:\arch\... TERRA ENGINEERING LTD. FILE NAME: T:\PROJECTS\2020-104\_C000\_SHTS\_MAIN-ST-TERRA\001\DWG\ALDKG\001\TERRA\_SHTS\_17105-SHT-MAIN-SOQ.dwg



USER NAME = CoiinC	DESIGNED - CC	REVISED - 07/15/2020
FILENAME = D:\17105-SHT-MAIN-SOQ.dwg	DRAWN - AE	REVISED -
PLOT SCALE = 40 0000 / 1 in.	CHECKED - ET	REVISED -
PLOT DATE = 7/15/2020 10:26:42 AM	DATE -	REVISED -

STATE OF ILLINOIS  
DEPARTMENT OF TRANSPORTATION

SUMMARY OF QUANTITIES

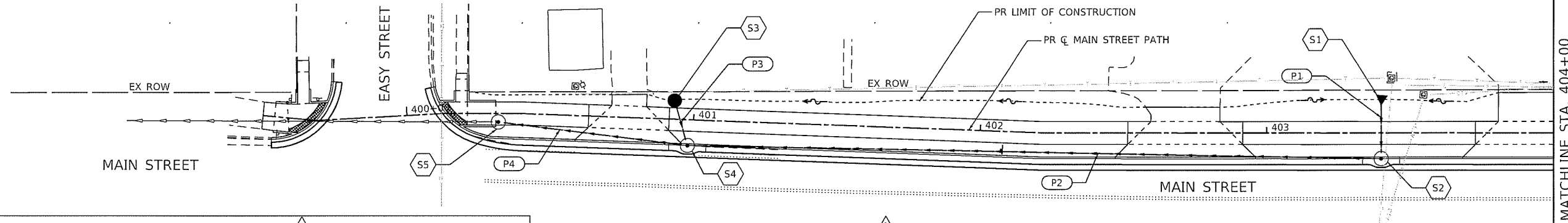
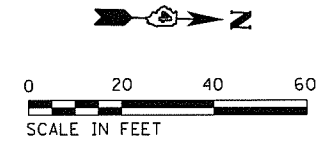
SCALE: NTS SHEET 1 OF 1 SHEETS STA. TO STA.

F.A.P RTE.	SECTION	COUNTY	TOTAL SHEETS	SHEET NO.
398	19-00125-00-SW	TAZEWELL	21	3
WESTERN AVE RECONSTRUCTION			CONTRACT NO. 89768	
ILLINOIS			FED. AID PROJECT	

DRAINAGE STRUCTURE SCHEDULE

STRUCTURE NUMBER	STATION	OFFSET	RIM ELEV.	LOCATION OF STATION/OFFSET/RIM ELEV.	INVERT ELEVATIONS				54261712	60218400	X6023508	X6021814	X6020082
					DIRECTION				STEEL FLARED END SECTIONS 12"	MANHOLES, TYPE A, 4' DIAMETER, TYPE 1 FRAME, CLOSED LID	INLETS, TYPE A, WITH SPECIAL FRAME AND GRATE	INLET-MANHOLE, TYPE G-1, 4' DIAMETER	INLETS, TYPE G-1
					N	S	E	W	EACH	EACH	EACH	EACH	EACH
S1	403+40.31	11.91'	LT	CENTER OF STRUCTURE									
S2	403+39.98	9.00'	RT	CONTROL POINT*		788.10	789.43	788.00			1		
S3	400+93.13	6.49'	LT	CENTER OF STRUCTURE**			785.84			1 (TYPE 37 GRATE)			
S4	400+98.11	9.00'	RT	CONTROL POINT*	785.60	785.60		785.00			1		
S5	400+31.83	2.96'	RT	CENTER OF STRUCTURE	784.80	EX. 784.58							
S6	404+49.94	12.14'	LT	CENTER OF STRUCTURE			789.13		1				
S7	404+48.30	9.00'	RT	CONTROL POINT*	788.00			788.00			1		
S8	405+71.69	0.57'	LT	CENTER OF STRUCTURE	EX. 787.56	787.60		787.80	1				
S9	405+56.57	6.94'	LT	CENTER OF STRUCTURE**	787.60					1 (TYPE 37 GRATE)			
S10	405+72.12	7.57'	RT	CONTROL POINT*				788.00				1	
					TOTAL:				2	2	2	3	1

\*SEE IDOT DISTRICT 4 STANDARD 602001-04 OR 602021-04 FOR CONTROL POINT LOCATION  
 \*\*RIM ELEVATION FOR TYPE 37 GRATE REFERS TO TOP OF LOWER GRATE (WATER ENTRY) LOCATION



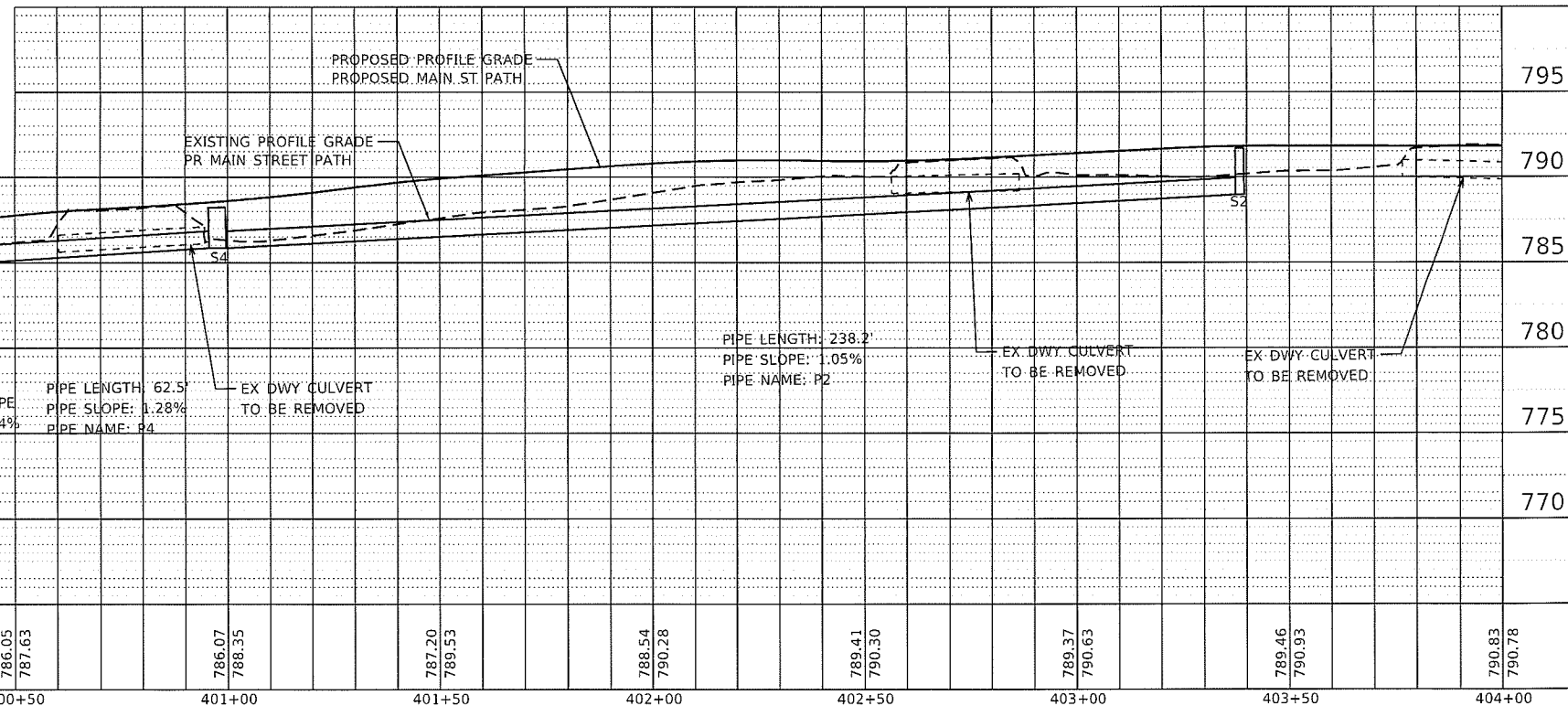
PIPE SCHEDULE

PIPE NUMBER	FROM STRUCTURE	UPSTREAM INVERT	SLOPE	TO STRUCTURE	DOWNSTREAM INVERT	550A0040 STORM SEWERS, CLASS A, TYPE 1 10"	550A0050 STORM SEWERS, CLASS A, TYPE 1 12" FOOT	550B0040 * STORM SEWERS, CLASS B, TYPE 1 10" FOOT	20800150 TRENCH BACKFILL CU YD
P1	S1	789.43	7.94%	S2	788.00			18	2
P2	S2	788.10	1.05%	S4	785.60		238.2		31
P3	S3	785.84	3.41%	S4	785.00	12.3		12.3	2
P4	S4	785.60	1.28%	S5	784.80		62.5		8
P5	S6	789.13	6.24%	S7	788.00			18.1	2
P6	S7	788.00	0.33%	S8	787.60		120.1		16
P7	S9	788.00	1.61%	S8	787.60	12.4		12.4	2
P8	S10	788.00	2.38%	S8	787.80	4.2		4.2	1
TOTAL USE:						28.9	420.8	65	64
						29	421	65	64

\* NOTE  
 PAY ITEM 550B0040 (STORM SEWERS, CLASS B, TYPE 1 10")  
 SHALL BE SDR 26 PVC HEAVY WALL SEWER.

DATE: \_\_\_\_\_  
 BY: \_\_\_\_\_  
 CHECKED: \_\_\_\_\_  
 PLAN NOTE BOOK NO. \_\_\_\_\_

DATE: \_\_\_\_\_  
 BY: \_\_\_\_\_  
 CHECKED: \_\_\_\_\_  
 PROFILE NOTE BOOK NO. \_\_\_\_\_



	USER NAME = ColinC FILENAME = D417103-SHT-MAIN-DRAIN01.dgn PLOT SCALE = 40.0000' / in. PLOT DATE = 7/15/2020 10:20:07 AM	DESIGNED - CC DRAWN - AE CHECKED - JH DATE - 5/12/20	REVISED - 07/15/2020 REVISED - REVISED - REVISED -	STATE OF ILLINOIS DEPARTMENT OF TRANSPORTATION	DRAINAGE PLAN & PROFILE MAIN ST SHARED-USE PATH	F.A.P. RTE. SECTION COUNTY TOTAL SHEETS SHEET NO. 388 19-00125-00-SW TAZEWELL 21 11 CONTRACT NO. 89768
	SCALE: 1"=20' SHEET 1 OF 2 SHEETS STA. TO STA. 404+00				ILLINOIS FED. AID PROJECT	