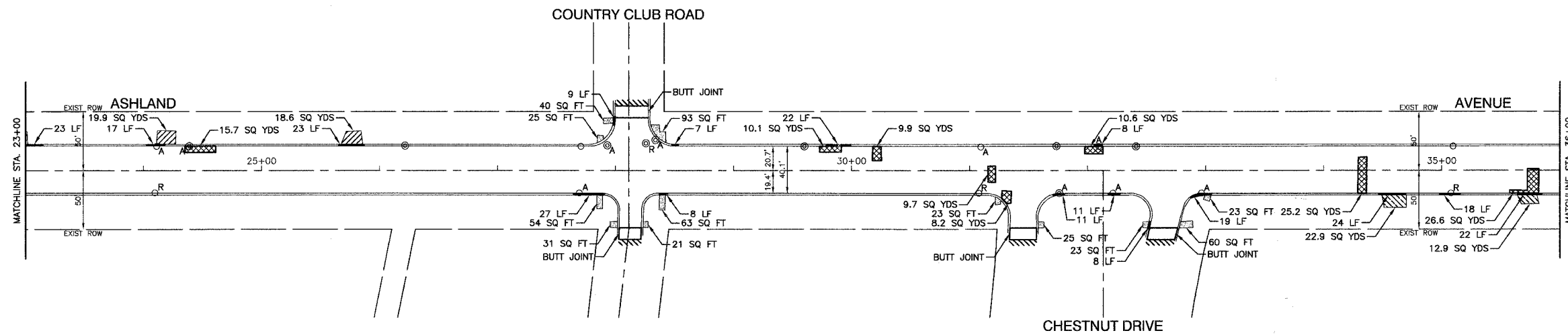
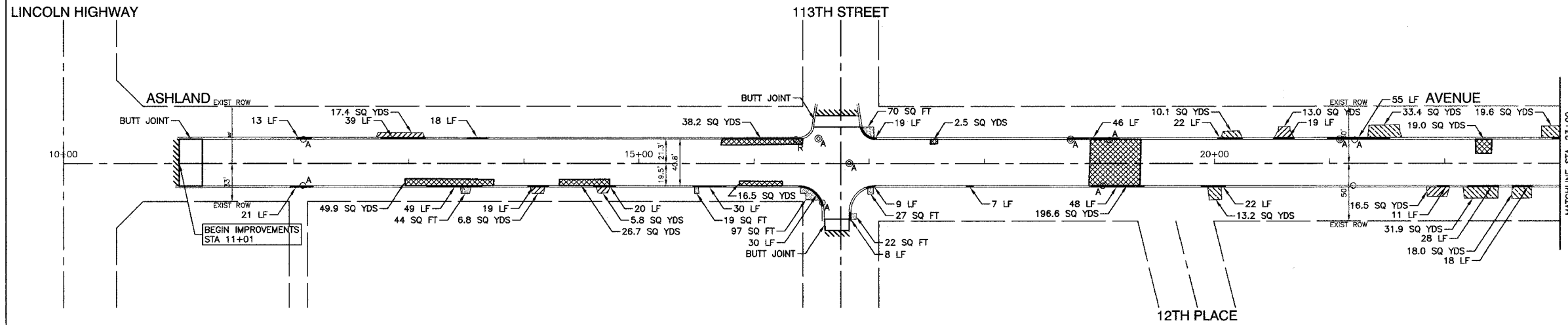
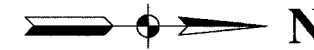


SECTION 17, TOWNSHIP 35, RANGE 14
SECTION 18, TOWNSHIP 35, RANGE 14

F. A. S. NO.	SECTION	COUNTY	TOTAL SHEETS	SHEET NO.
2859	08-00222-00-RS	COOK	018	004
STA. BEGIN IMPROVEMENT TO STA. 36+00				
FED. ROAD DIST. NO.	ALINOS	FED. AID PROJECT		

CONTRACT #63045



NOTE:
LIMIT OF CONSTRUCTION ON ALL SIDE STREETS IS THE RADIUS RETURN PLUS 10' BUTT JOINT

LEGEND

- HMA PAVEMENT REPAIR
- HMA DRIVEWAY REMOVAL AND REPLACEMENT
- CONCRETE DRIVEWAY REMOVAL AND REPLACEMENT
- CONCRETE SIDEWALK REMOVAL AND REPLACEMENT
- BUTT JOINTS
- CURB REMOVAL
- STRUCTURE TO BE ADJUSTED
- STRUCTURE TO BE RECONSTRUCTED
- STRUCTURE TO BE REMOVED AND REPLACED
- DETECTOR LOOP

REVISIONS	
NAME	DATE

ILLINOIS DEPARTMENT OF TRANSPORTATION

**ASHLAND AVENUE
STREET RESURFACING
PAVEMENT PLAN**

SCALE: VERT. NA
HORIZ. 1"=50'
DATE 05/07/08

DRAWN BY RG
CHECKED BY RES