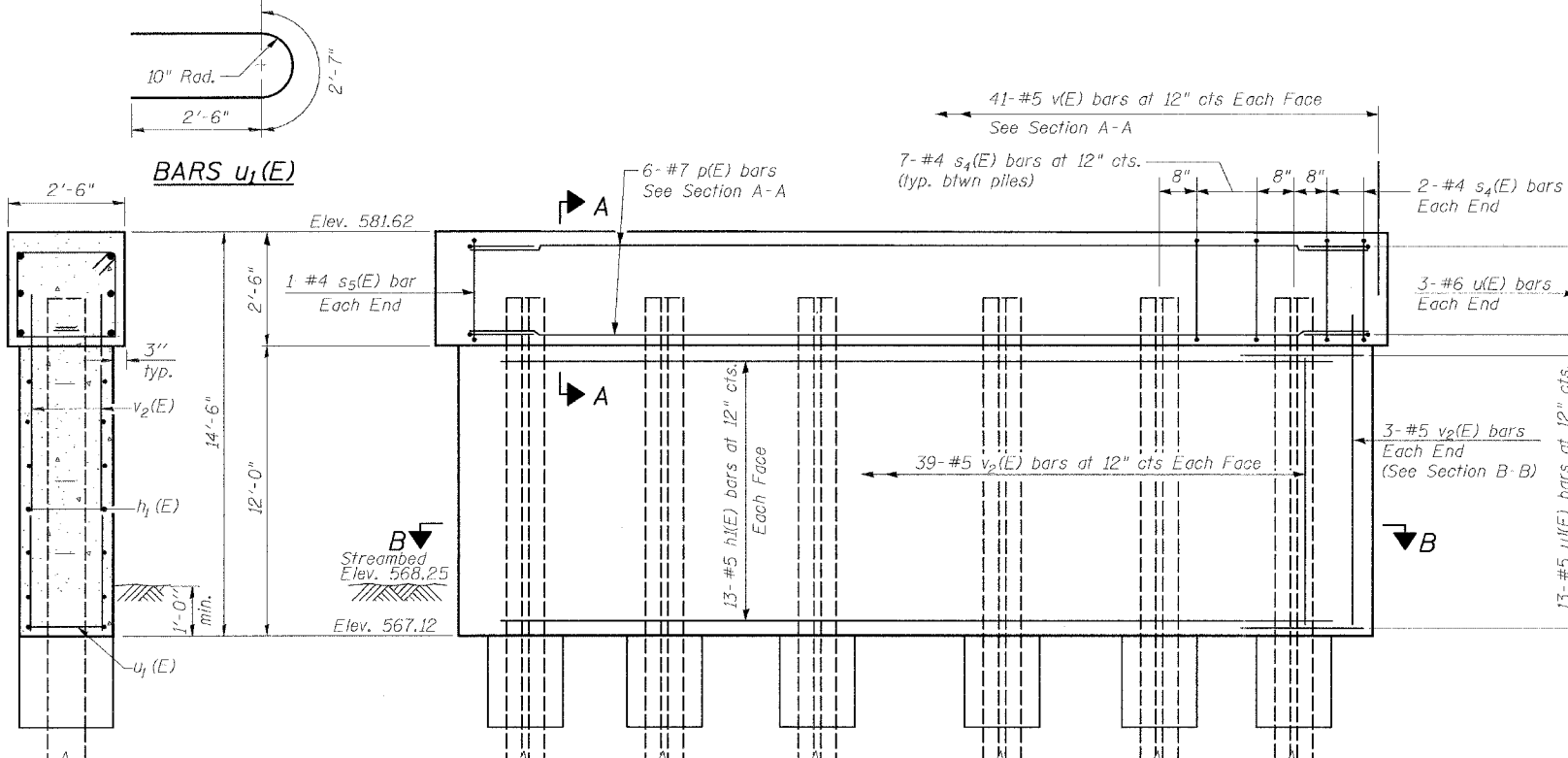
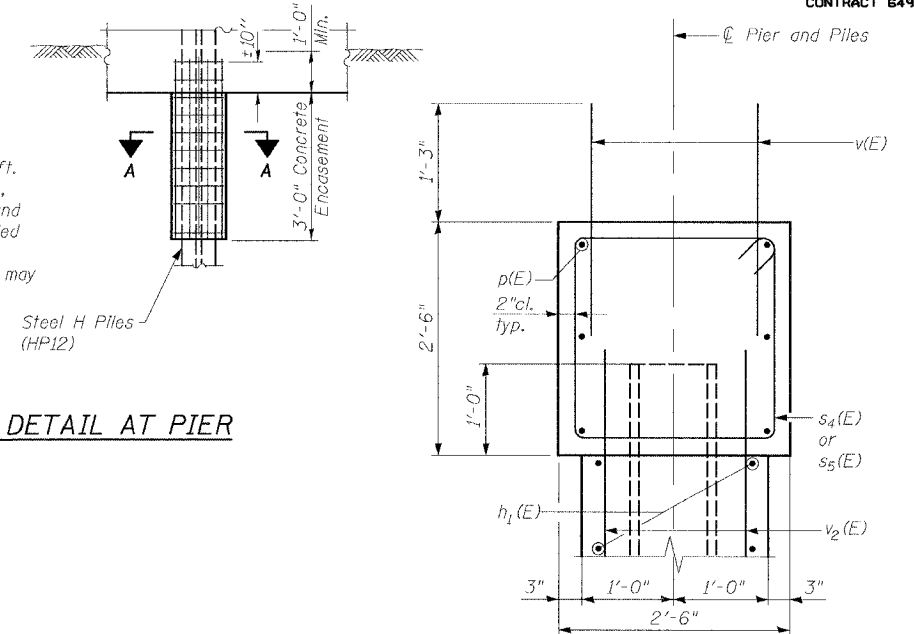
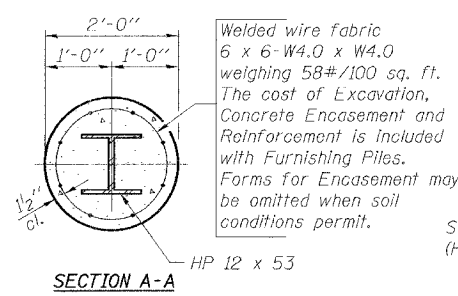
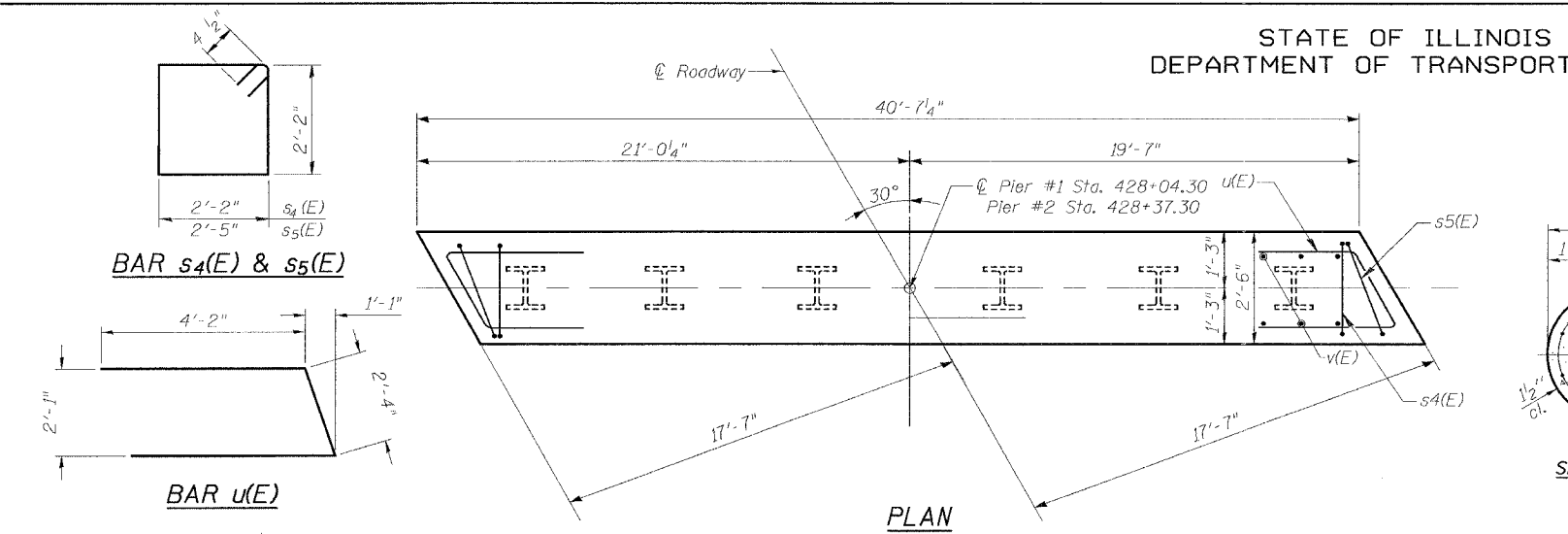


STATE OF ILLINOIS  
DEPARTMENT OF TRANSPORTATION

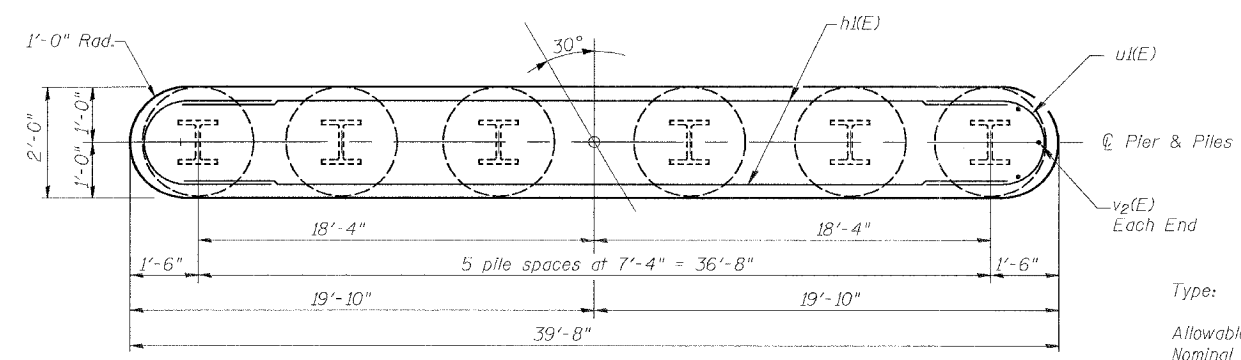
SHEET #8 OF 11 SHEETS	ROUTE NO. FAS 203	SECTION 11BR-1	COUNTY WHITESIDE & ROCK ISLAND	DATE 19	HEET 43
FED. ROAD DIST. NO. 3			ILLINOIS FED. AID PROJECT-		

CONTRACT 64939



END VIEW

ELEVATION  
(Pier #1 Looking East)  
(Pier #2 Looking East)



SECTION B-B

PIER 1  
PILE DATA

Type:	HP 12 x 53 w/ Pile Shoes
Allowable Resistance Available:	136 Kips
Nominal Required Bearing:	418 Kips
Est. Length:	69 ft.
No. Required:	5 + 1 Test Pile

PIER 2  
PILE DATA

Type:	HP 12 x 53 w/ Pile Shoes
Allowable Resistance Available:	136 Kips
Nominal Required Bearing:	418 Kips
Est. Length:	32 ft.
No. Required:	6

BILL OF MATERIAL  
FOR PIER 1

Bar	No.	Size	Length	Shape
h <sub>1</sub> (E)	26	#5	37'-8"	—
p(E)	6	#7	40'-3"	—
s <sub>4</sub> (E)	39	#4	9'-5"	□
s <sub>5</sub> (E)	2	#4	9'-11"	□
u(E)	6	#6	10'-8"	U
u <sub>1</sub> (E)	26	#5	7'-7"	U
v(E)	82	#5	2'-9"	—
v <sub>2</sub> (E)	84	#5	13'-4"	—
Structure Excavation				Cu. Yd. 9.5
Concrete Structures				Cu. Yd. 44.3
Reinforcement Bars, Epoxy Coated				Pound 3480
Furnishing Steel Piles HP 12x53				Foot 345
Driving Piles				Foot 345
Test Pile Steel HP 12x53				Each 1
Pile Shoes				Each 6
Underwater Structure Excavation Protection				Each 1

Reinforcement Bars designated (E) shall be epoxy coated

BILL OF MATERIAL  
FOR PIER 2

Bar	No.	Size	Length	Shape
h <sub>1</sub> (E)	26	#5	37'-8"	—
p(E)	6	#7	40'-3"	—
s <sub>4</sub> (E)	39	#4	9'-5"	□
s <sub>5</sub> (E)	2	#4	9'-11"	□
u(E)	6	#6	10'-8"	U
u <sub>1</sub> (E)	26	#5	7'-7"	U
v(E)	82	#5	2'-9"	—
v <sub>2</sub> (E)	84	#5	13'-4"	—
Structure Excavation				Cu. Yd. 9.5
Concrete Structures				Cu. Yd. 44.3
Reinforcement Bars, Epoxy Coated				Pound 3480
Furnishing Steel Piles HP 12x53				Foot 192
Driving Piles				Foot 192
Pile Shoes				Each 6
Underwater Structure Excavation Protection				Each 1

Reinforcement Bars designated (E) shall be epoxy coated

PILE BENT PIER  
FAS ROUTE 203 (MOLINE ROAD)  
OVER MEREDOSIA DITCH  
SECTION 11BR-1  
STA. 428+20.80  
WHITESIDE & ROCK ISLAND COUNTIES  
SN 098-0111

DESIGNED	KCM
CHECKED	TMM
DRAWN	JLM
CHECKED	TMM